

CH-440131-00

A  
B  
C  
D  
E  
F  
G  
H  
I  
J  
K  
L  
M  
N

TYPICAL  
2 PLACES (207) (206)

TYPICAL  
4 PLACES (703) (702)

(208) WIRES NOT SHOWN

TYPICAL  
4 PLACES (701) (700)

TYPICAL  
2 PLACES (701) (700)

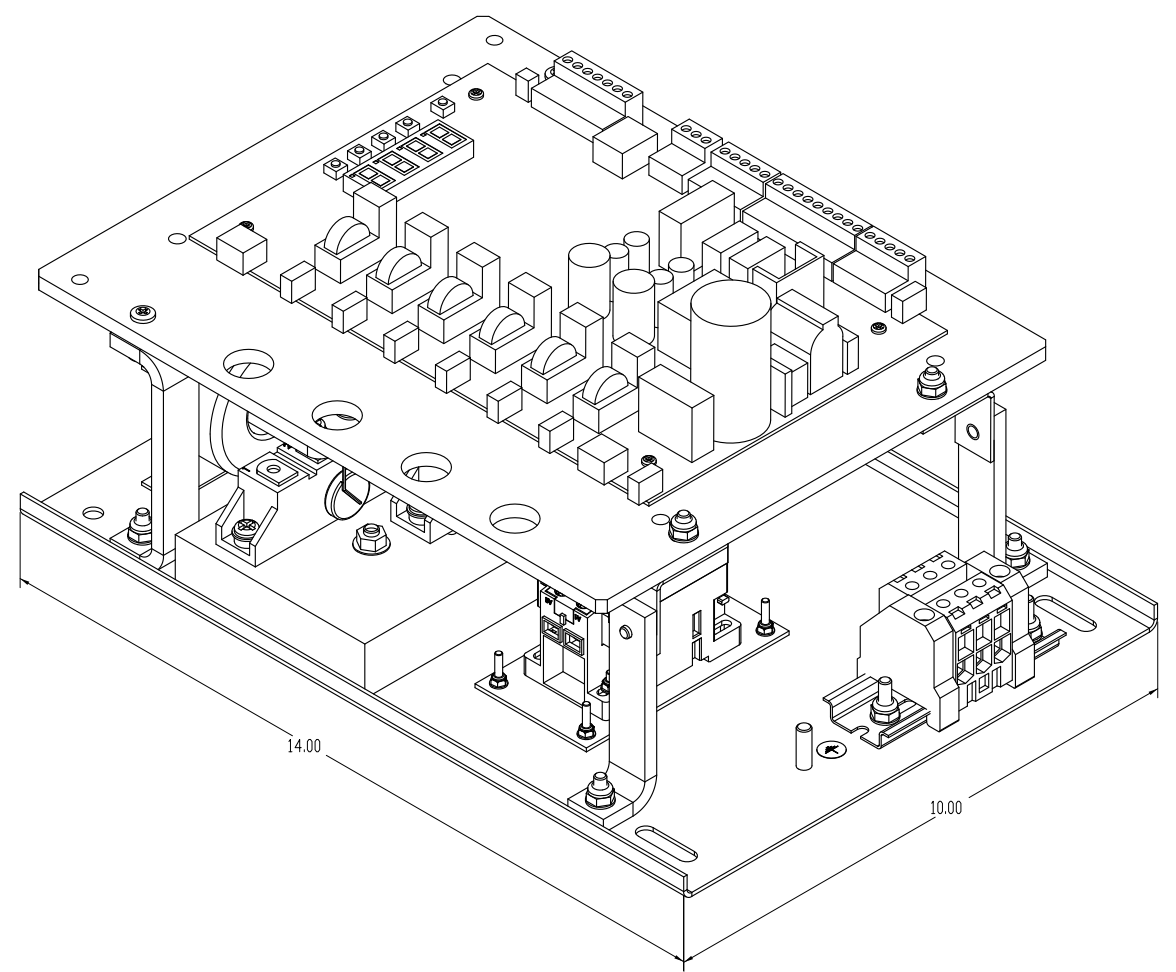
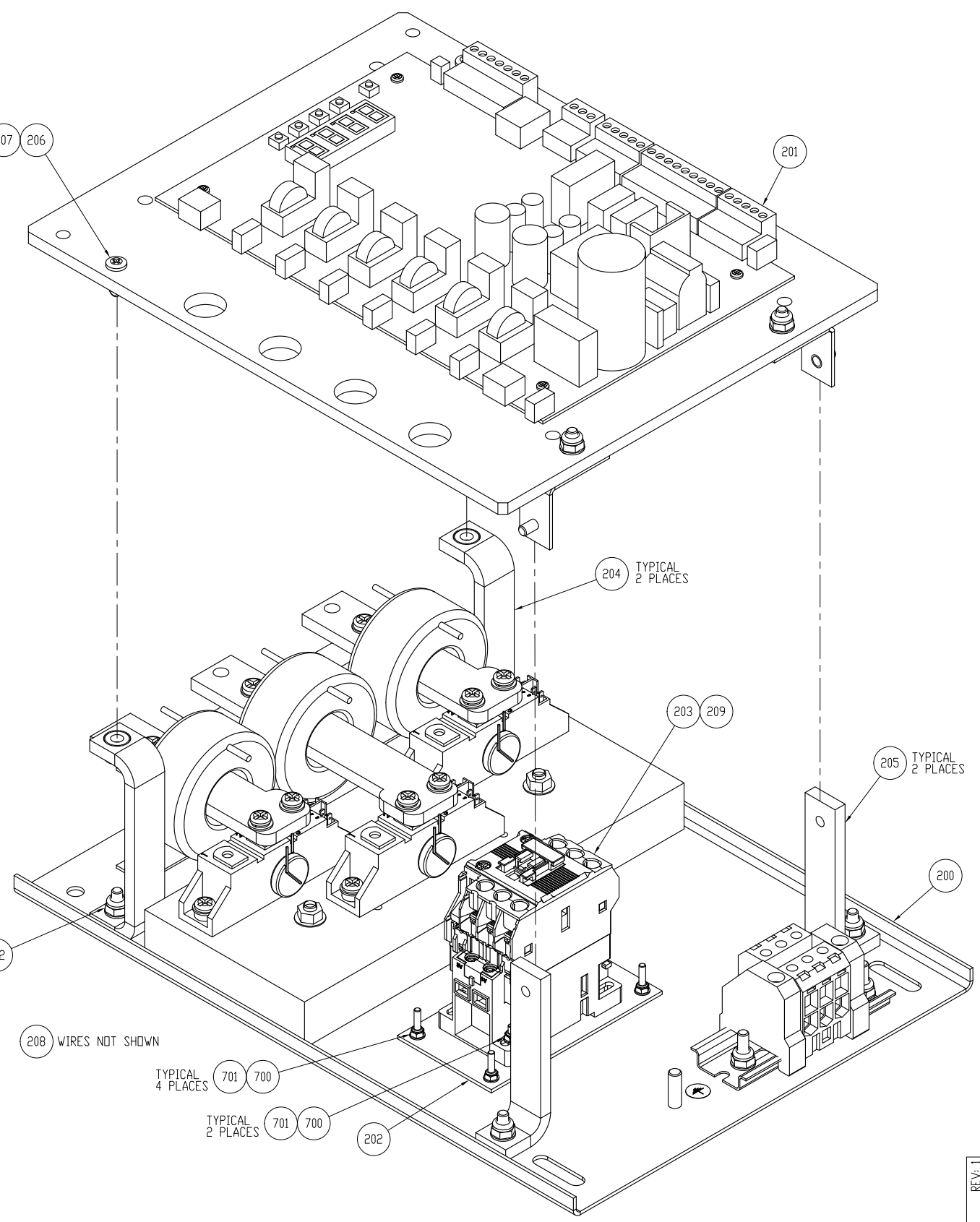
(204) TYPICAL  
2 PLACES

(203) (209)

(205) TYPICAL  
2 PLACES

(200)

(202)



FULL ASSEMBLY

- NOTES:  
1. TIGHTEN ALL M3-0.50 SCREWS TO 0.7 Nm OR (0.52 FT LBS)  
TIGHTEN ALL M5-0.80 SCREWS TO 3.3 Nm OR (2.42 FT LBS)  
TIGHTEN ALL M6-1.00 BOLTS TO 6.77 Nm OR (5 FT LBS)

REV. 1  
EOD E3027  
L001 M3A  
5/9/2016  
CALCIP, M3A  
DESCRIPTION AND  
DIMENSIONAL  
CONSTRUCTION  
BY CONTACTING  
PCC CONTACT CENTER  
PLEASE USE PCC PWS  
UPDATED ON ASSY

DO NOT SCALE DWG  
THIRD ANGLE  
PROJECTION  
THIS DRAWING AND ALL INFORMATION  
CONTAINED HEREIN IS THE  
PROPERTY OF BENSCHAW INC. AND  
DIVULGED TO UNAUTHORIZED  
PERSONS WITHOUT THE EXPRESS  
WRITTEN CONSENT OF BENSCHAW INC.  
CONVENIENCE OF THE USER AND  
SHALL BE RETURNED UPON REQUEST.

UNLESS OTHERWISE SPECIFIED	
ALL DIMENSION IN INCHES	
INTERPRET DRAWING PER	
ASME Y14.5M-1994	
TOLERANCES:	X ± 1/8
ANGLES ± 1°	XX ± .03
	XXX ± .015
MATERIAL:	
FINISH:	

SIGNATURES	DATE
DRWN. BER	4/7/11
CHKD. JAF	4/7/11
ENG. JAF	4/7/11
MFG.	

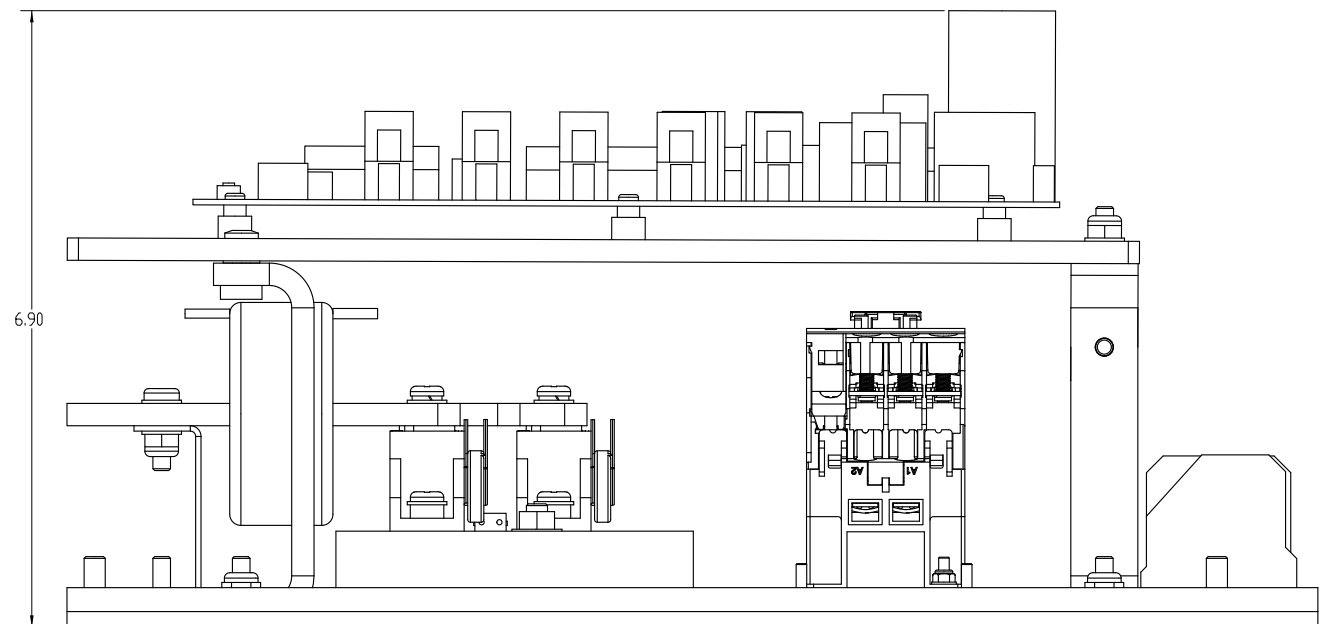
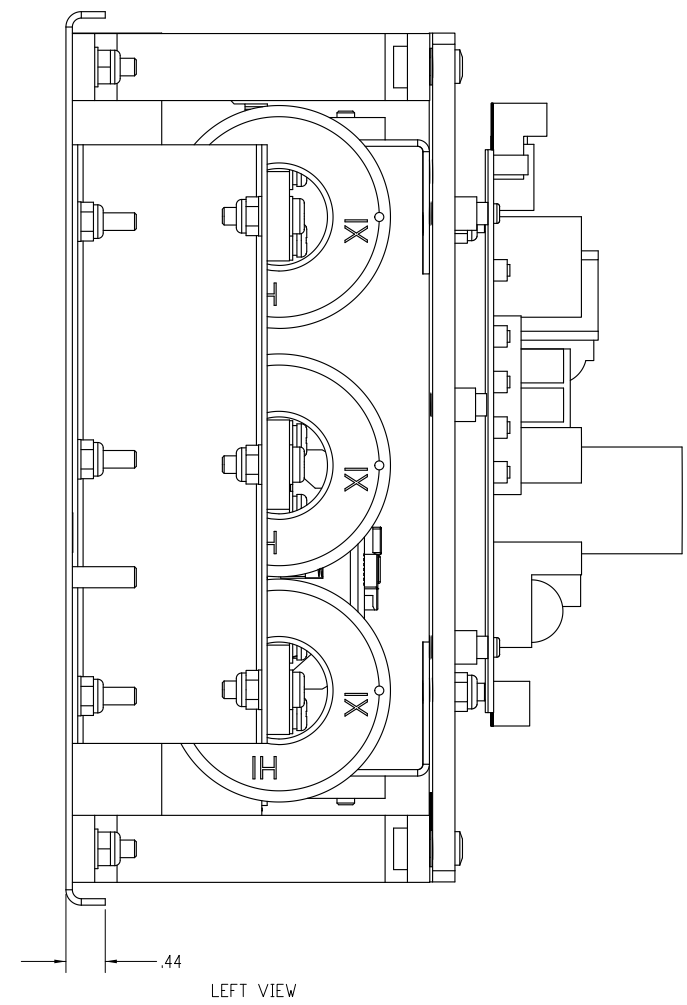
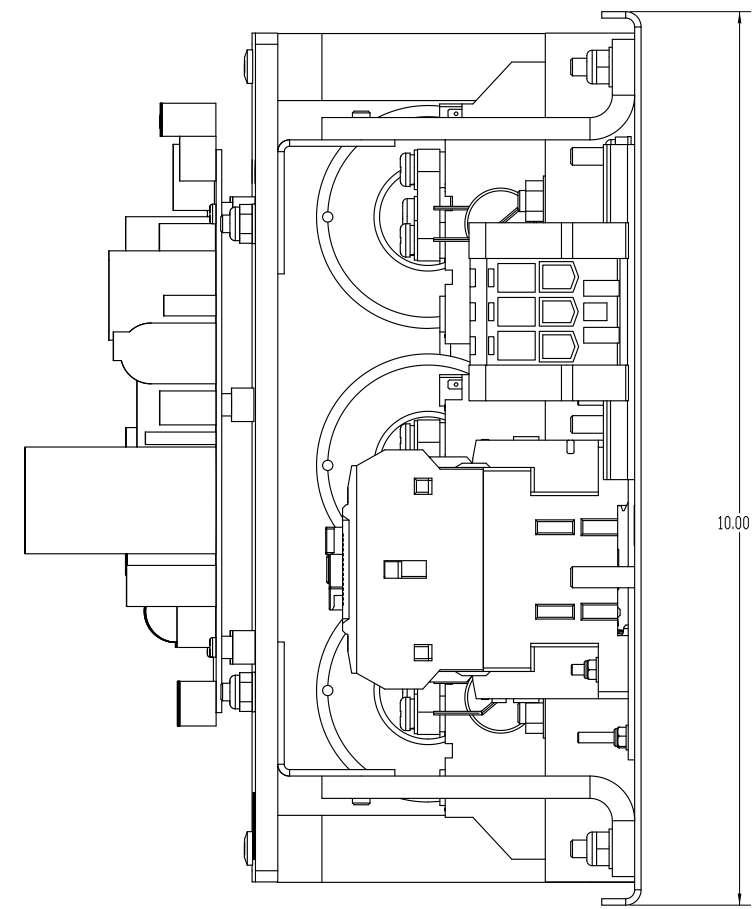
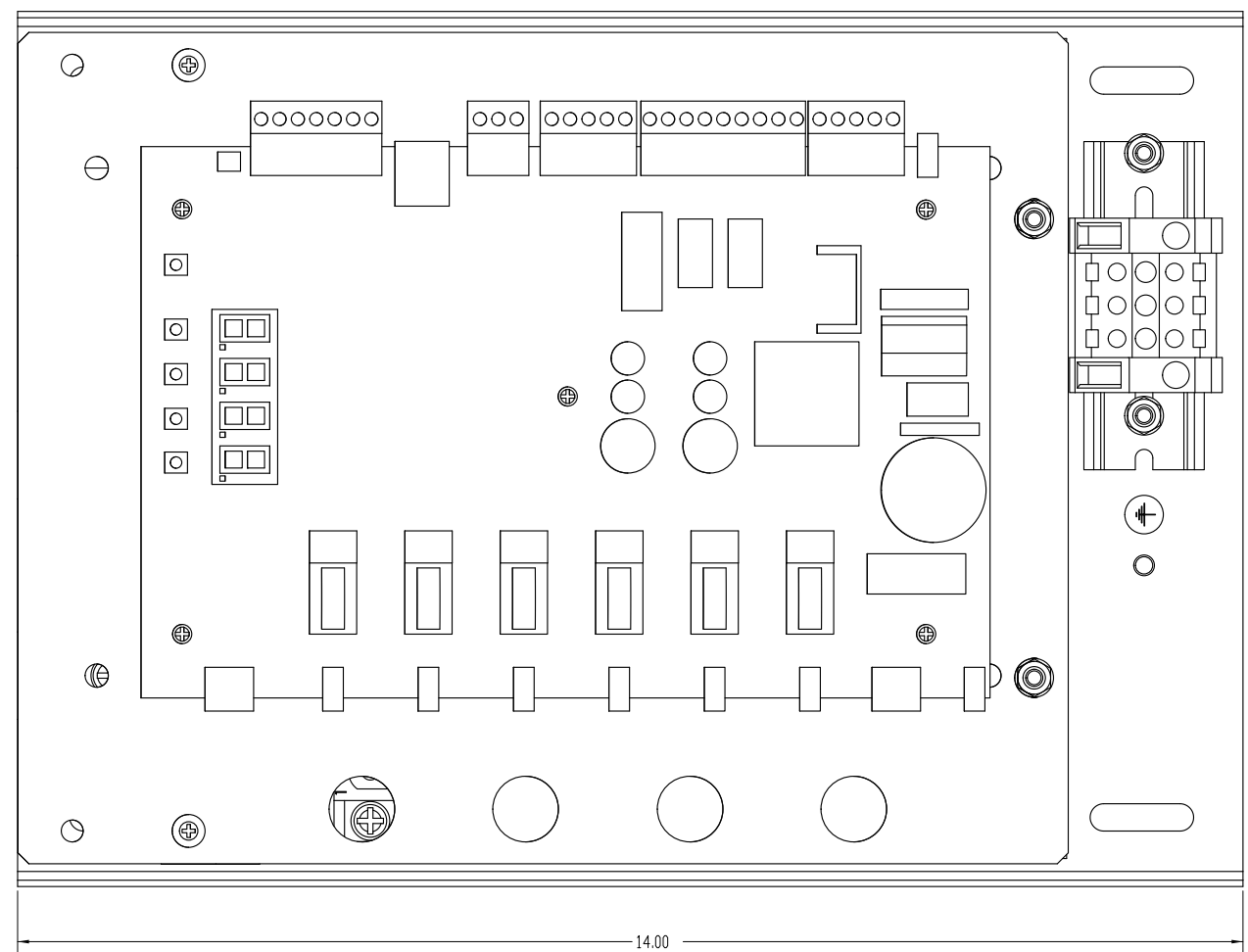
TITLE:  
RB2-1-S-027A-11C CHASSIS  
STANDARD FAULT  
5KA MX2  
27A OD/39A ID NDRMAL  
31A OD/45A ID @115%  
600VAC

			<p>60 ALPA DRIVE PITTSBURGH, PA 15208 PHONE: (412) 949-9800</p>	<p>300 BERRY ST. E. LITITZ, OHIO 44130</p>
			<p>SIZE D</p>	<p>DWG NO. CH-440131-00</p>
<p>SCALE: 1:1</p>	<p>SHEET: 1 OF 2</p>			

1 2 3 4 5 6 7 8 9 10 11 12 13 14 15 16 17 18 19 20 21 22 23 24 25 26 27 28

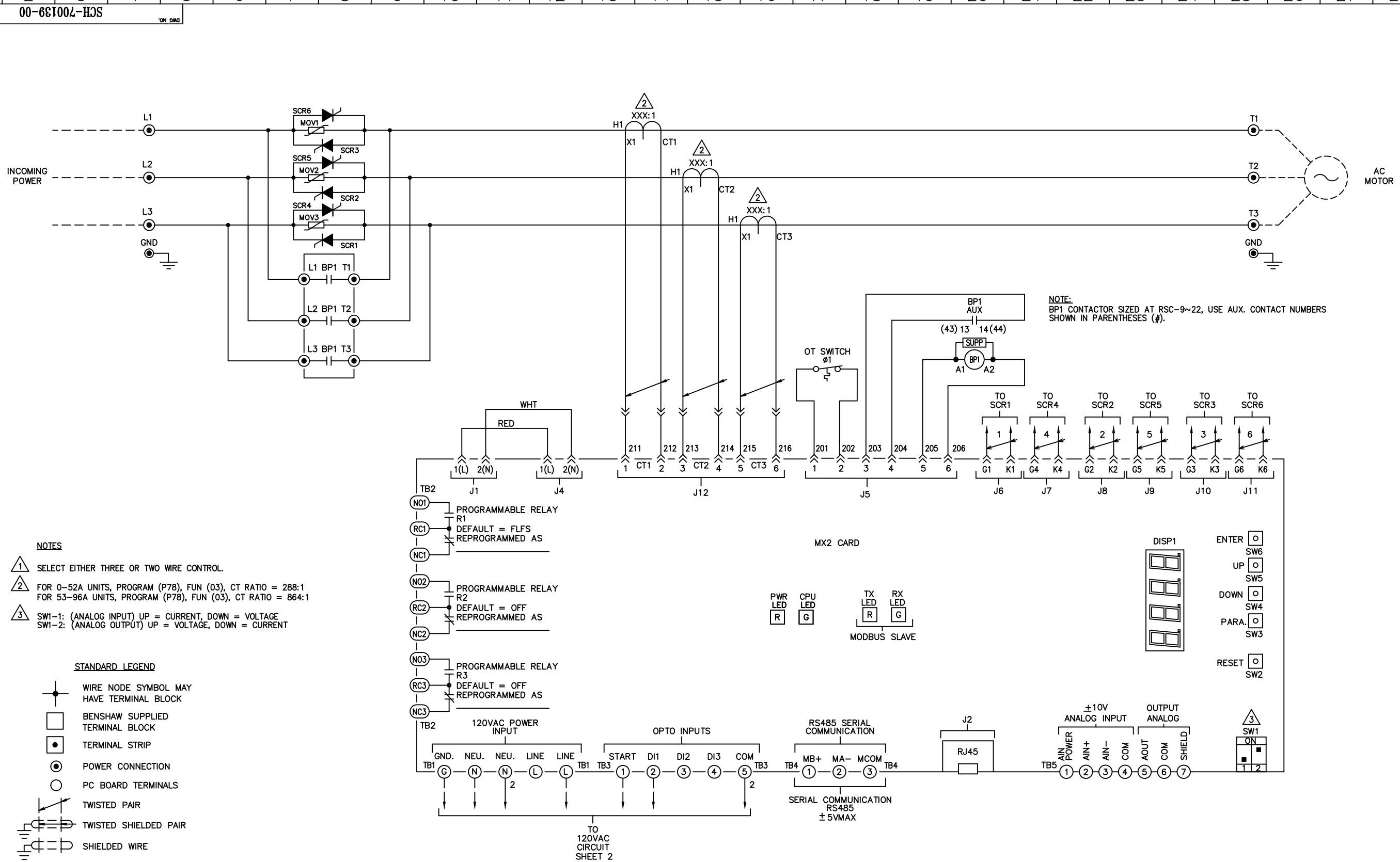
CH-440131-00

A  
B  
C  
D  
E  
F  
G  
H  
I  
J  
K  
L  
M  
N



DO NOT SCALE DIMS	THIRD ANGLE PROJECTION	UNLESS OTHERWISE SPECIFIED ALL DIMENSION IN INCHES INTERPRET DRAWING PER ASME Y14.5M-1994	SIGNATURES		DATE	TITLE: RB2-1-S-027A-11C CHASSIS STANDARD FAULT 5KA MX2 27A DD/39A ID NORMAL 31A DD/45A ID @115% 600VAC	<p>625 ALPHEA DRIVE PITTSBURGH, PA 15208 PHONE 412-940-0000 500 BRIDGT ST. E. LEWISBURG, OHIO 44641 HW 343</p>	
	THIS DRAWING AND ALL INFORMATION CONTAINS HEREIN IS THE PROPERTY OF BENSHAW INC. AND DIVULGED TO UNAUTHORIZED PERSONS WITHOUT THE EXPRESS WRITTEN CONSENT OF BENSHAW INC. CONVENIENCE OF THE USER AND SHALL BE RETURNED UPON REQUEST.		TOLERANCES:	X ± 1/8	DRWN. BER			4/7/11
			ANGLES ± 1°	XX ± .03 XXX ± .015	CHKD. JAF			4/7/11
			MATERIAL:	FINISH	ENG. JAF			4/7/11
			MFG.			SIZE D DWG NO. CH-440131-00 SCALE: 1:1 SHEET: 2 OF 2		

1 2 3 4 5 6 7 8 9 10 11 12 13 14 15 16 17 18 19 20 21 22 23 24 25 26 27 28



- NOTES**
- 1 SELECT EITHER THREE OR TWO WIRE CONTROL.
  - 2 FOR 0-52A UNITS, PROGRAM (P78), FUN (03), CT RATIO = 288:1  
FOR 53-96A UNITS, PROGRAM (P78), FUN (03), CT RATIO = 864:1
  - 3 SW1-1: (ANALOG INPUT) UP = CURRENT, DOWN = VOLTAGE  
SW1-2: (ANALOG OUTPUT) UP = VOLTAGE, DOWN = CURRENT

- STANDARD LEGEND**
- WIRE NODE SYMBOL MAY HAVE TERMINAL BLOCK
  - BENSHAW SUPPLIED TERMINAL BLOCK
  - TERMINAL STRIP
  - POWER CONNECTION
  - PC BOARD TERMINALS
  - TWISTED PAIR
  - TWISTED SHIELDED PAIR
  - SHIELDED WIRE
  - FIELD WIRING

**NOTE:**  
BP1 CONTACTOR SIZED AT RSC-9~22, USE AUX. CONTACT NUMBERS SHOWN IN PARENTHESES (#).

<b>REVISIONS</b> DO NOT SCALE DWG	THIRD ANGLE PROJECTION	UNLESS OTHERWISE SPECIFIED ALL DIMENSIONS IN INCHES INTERPRET DRAWING PER ASME Y14.5M-1994 TOLERANCES: .XX ± .03 .XXX ± .015 ANGLES ± 1° MATERIAL: FINISH:	<b>TITLE:</b> MASTER POWER SCHEMATIC RB2, W/MX2 CONTROL FOR: 0-96A CHASSIS	SIGNATURES DRWN: JMD 1/2/2008 ENG: MSN 1/2/2008 MFD: MSN 1/2/2008 SIZE: D DWG NO.: SCH-700139-00	DATE: 1/2/2008 015 ALPHA DRIVE <b>BENSHAW</b> PITTSBURGH, PA 15238 550 BRIGHT STREET LISTONEL, ONTARIO M4W 3W3
	THIS DRAWING AND ALL INFORMATION CONTAINED HEREIN, IS THE PROPERTY OF BENSHAW INC., AND MAY NOT BE REPRODUCED, OR DIVULGED TO UNAUTHORIZED PERSONS WITHOUT THE EXPRESS WRITTEN CONSENT OF BENSHAW INC. IT IS PROVIDED SOLELY FOR THE CONVENIENCE OF THE USER AND SHALL BE RETURNED UPON REQUEST.			SCALE: 1:1	SHEET 1 OF 2
	TO 120VAC CIRCUIT SHEET 2			SERIAL COMMUNICATION RS485 ± 5VMAX	REV 0
	TO 120VAC CIRCUIT SHEET 2			SERIAL COMMUNICATION RS485 ± 5VMAX	REV 0

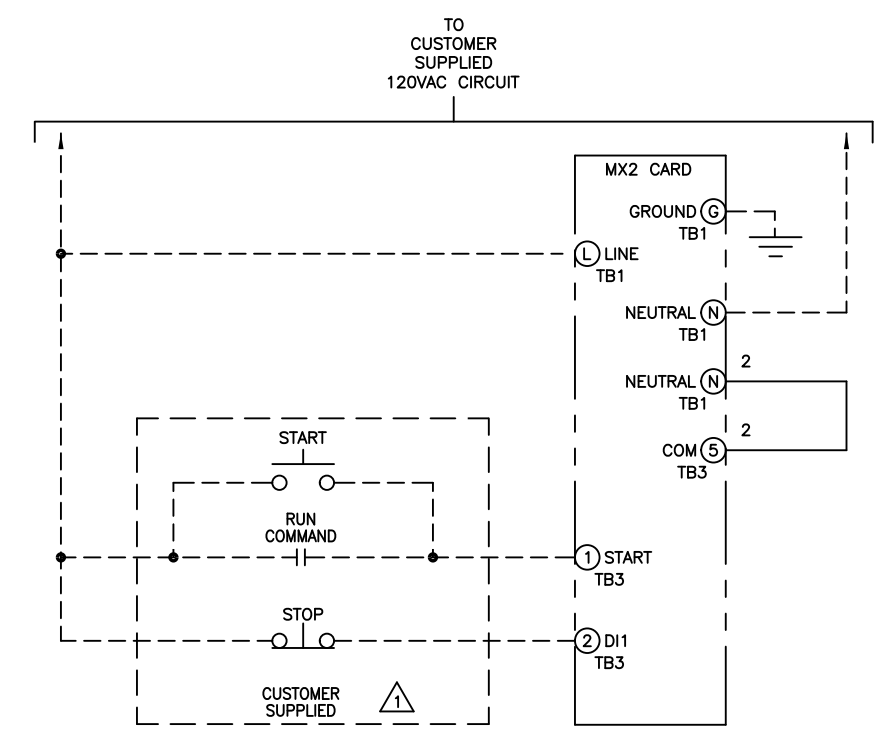
1 2 3 4 5 6 7 8 9 10 11 12 13 14 15 16 17 18 19 20 21 22 23 24 25 26 27 28

A  
B  
C  
D  
E  
F  
G  
H  
I  
J  
K  
L  
M  
N

00-661004-HJS  
ON DIM

**STANDARD LEGEND**

- WIRE NODE SYMBOL MAY HAVE TERMINAL BLOCK
- BENSRAW SUPPLIED TERMINAL BLOCK
- TERMINAL STRIP
- POWER CONNECTION
- PC BOARD TERMINALS
- TWISTED PAIR
- TWISTED SHIELDED PAIR
- SHIELDED WIRE
- FIELD WIRING



REVISIONS DO NOT SCALE DWG	THIRD ANGLE PROJECTION	UNLESS OTHERWISE SPECIFIED ALL DIMENSIONS IN INCHES INTERPRET DRAWING PER ASME Y14.5M-1994 TOLERANCES: .XX ± .03 .XXX ± .015 ANGLES ± 1°	<b>TITLE:</b> MASTER CONTROL SCHEMATIC RB2, W/MX2 CONTROL FOR: 0-96A CHASSIS	SIGNATURES: _____ DATE: 1/2/2006 DRWN: JMD ENG: MSN MFG: _____ SIZE: D DWG NO.	BENSRAW 815 ALPHA DRIVE PITTSBURGH, PA 15238 550 BRIGHT STREET LITTONEL, ONTARIO M4W 3W3	REV <b>0</b>
	THIS DRAWING AND ALL INFORMATION CONTAINED HEREIN, IS THE PROPERTY OF BENSRAW INC., AND MAY NOT BE REPRODUCED, OR DIVULGED TO UNAUTHORIZED PERSONS WITHOUT THE EXPRESS WRITTEN CONSENT OF BENSRAW INC. IT IS PROVIDED SOLELY FOR THE CONVENIENCE OF THE USER AND SHALL BE RETURNED UPON REQUEST.	MATERIAL: FINISH:	SCALE: 1:1	SHEET 2 OF 2		
	SCH-700139-00			REV 0		
	00-661004-HJS			REV 0		