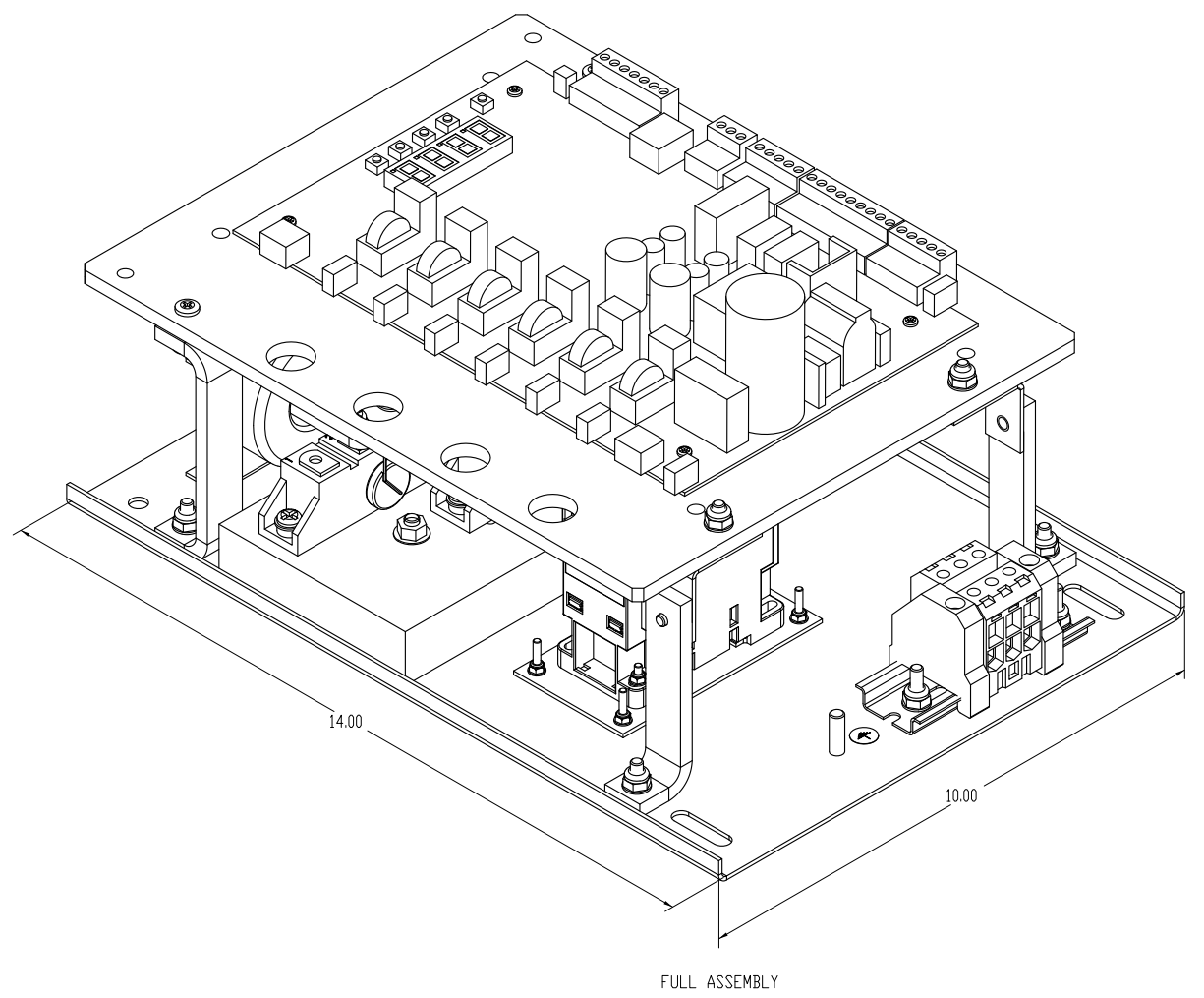
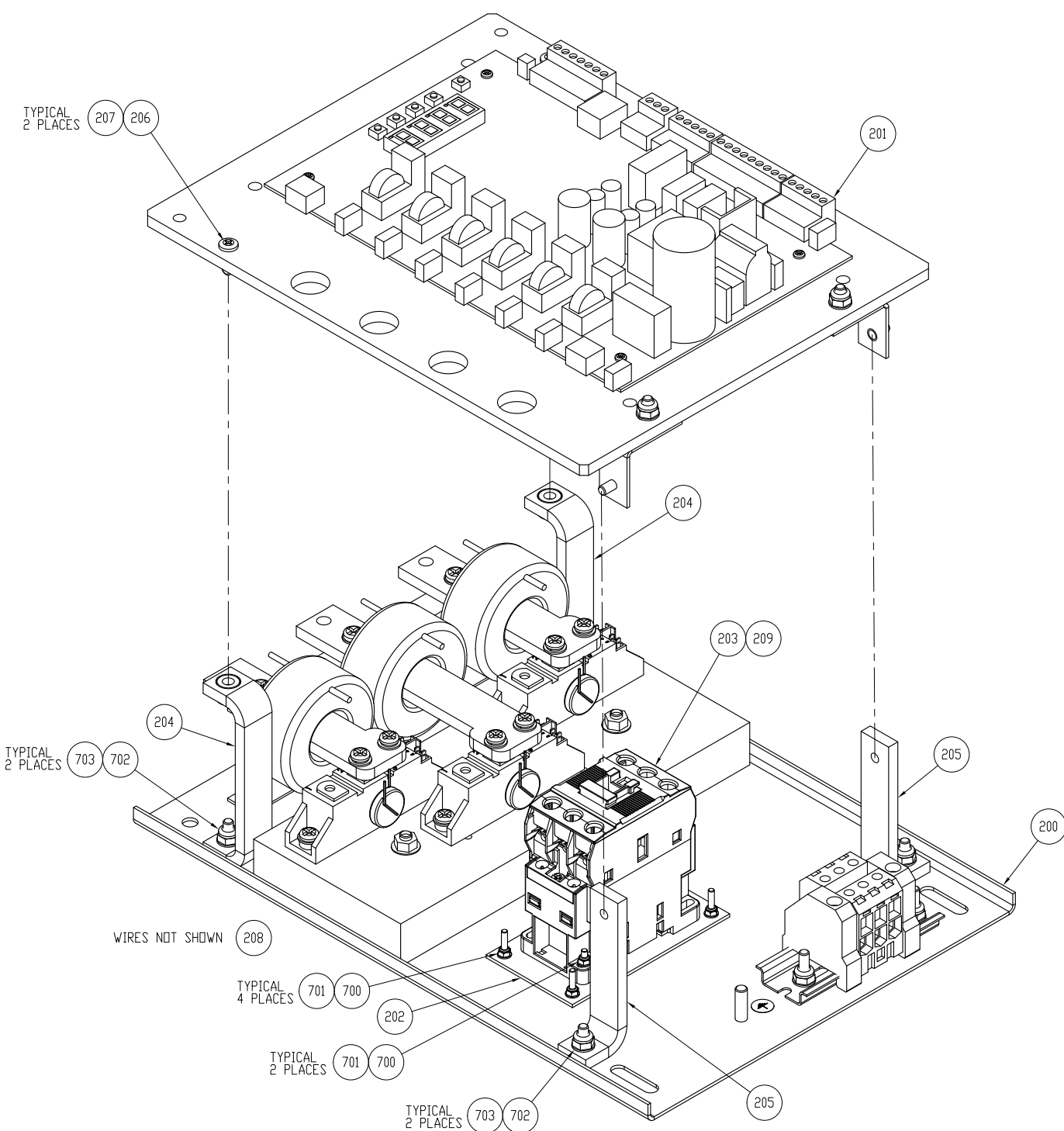


A  
B  
C  
D  
E  
F  
G  
H  
I  
J  
K  
L  
M  
N



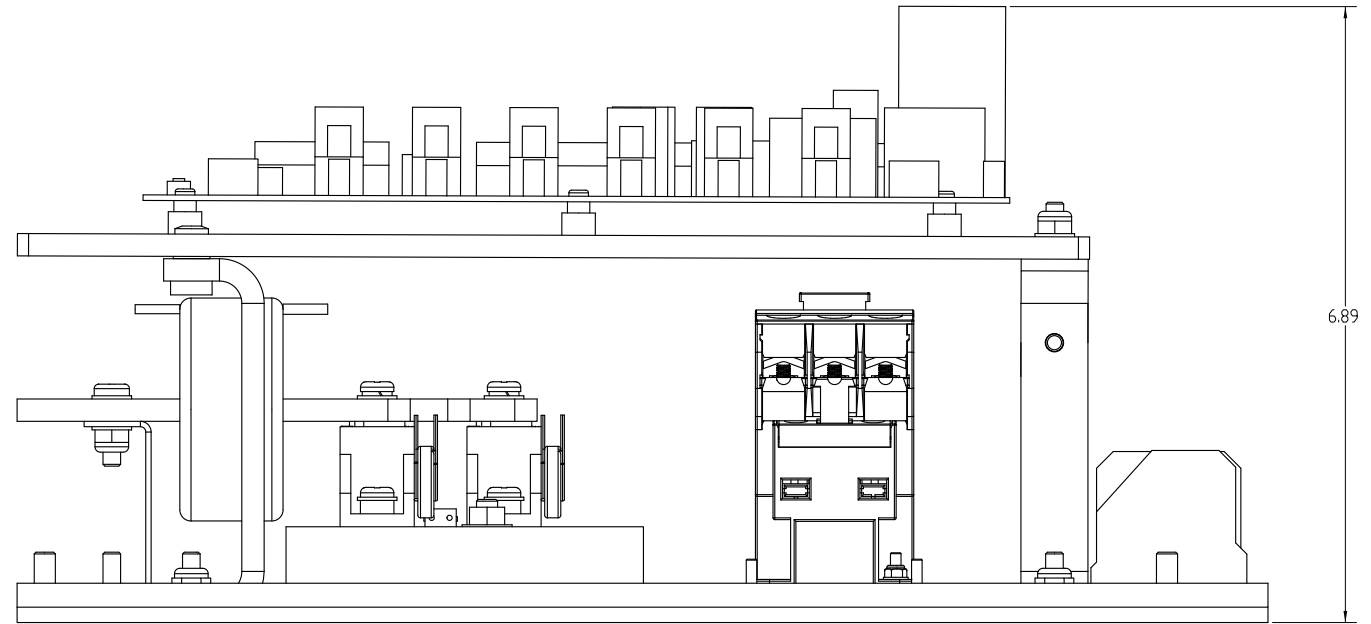
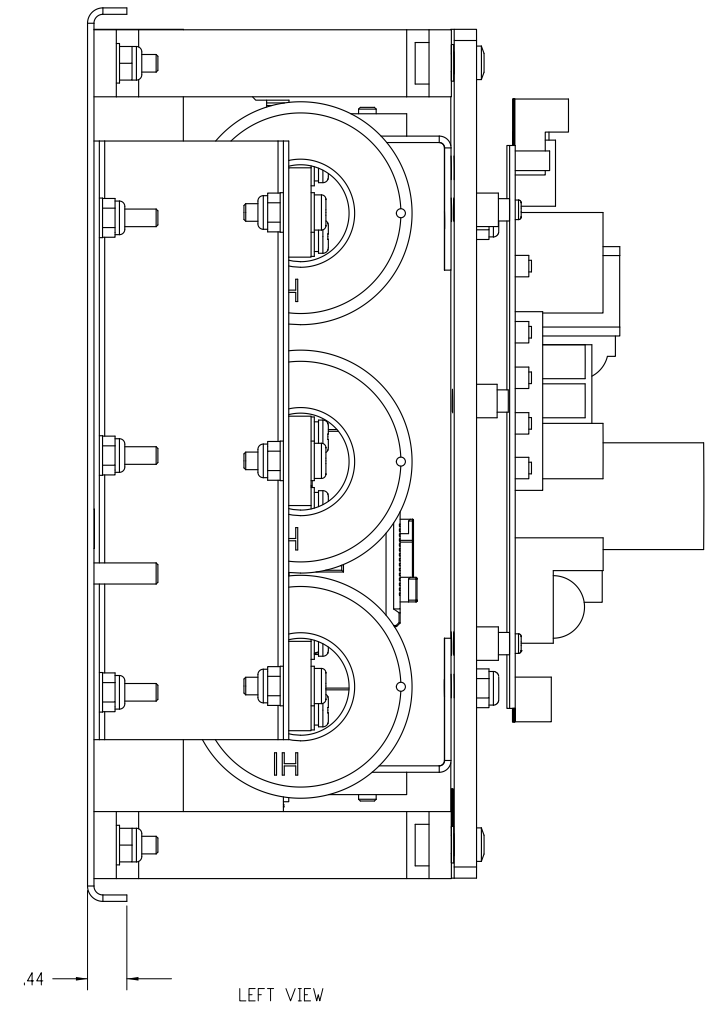
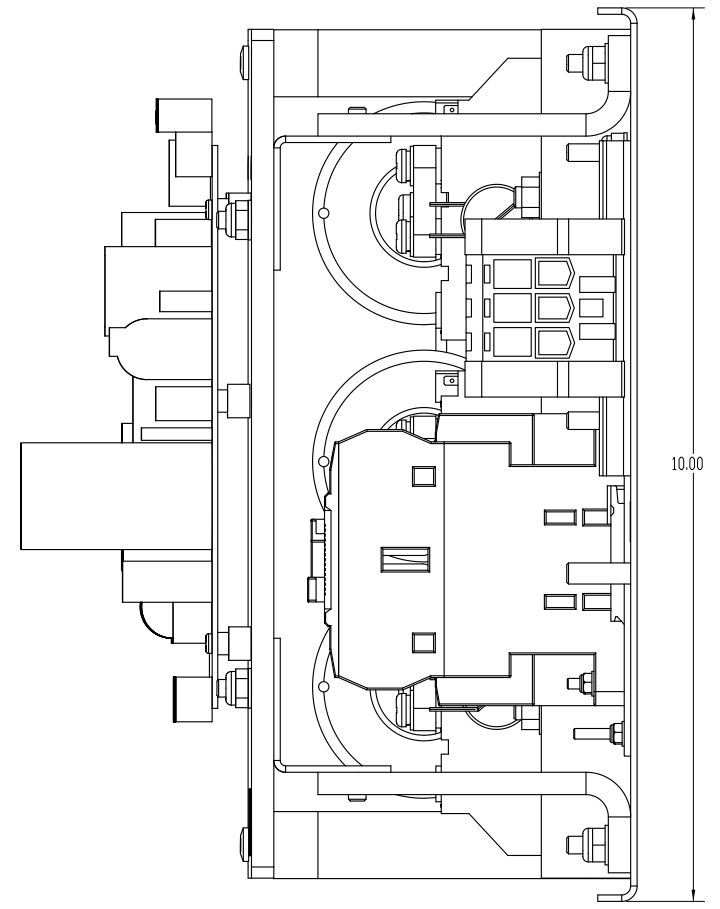
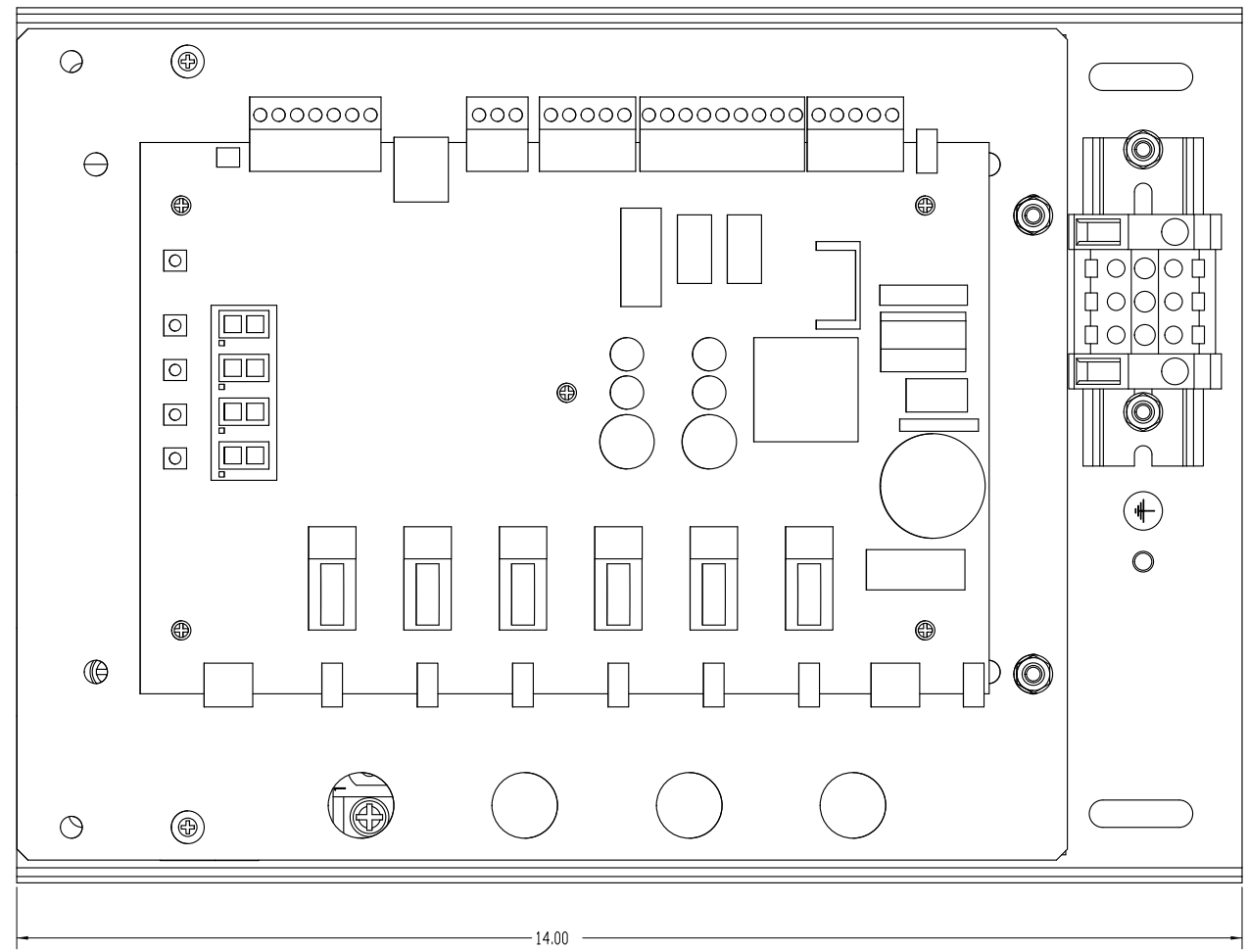
- NOTES:
1. TIGHTEN ALL M3-0.50 SCREWS TO 0.7Nm DR (0.52 FT LBS)  
TIGHTEN ALL M5-0.80 SCREWS TO 3.3 Nm DR (2.43 FT LBS)  
TIGHTEN ALL M6-1.00 BOLTS TO 6.77 Nm DR (5 FT LBS)

ECD: E3267 REV: 3 LDD: M3 5/8/2012 CHLD: M3 5/8/2012 DESCRIPTION: 40A STANDARD FAULT PC CONTACTOR IN PLACE OF PSC CONTACTOR PWS UPDATED ON ASSY.	<b>THIRD ANGLE PROJECTION</b>	UNLESS OTHERWISE SPECIFIED ALL DIMENSION IN INCHES INTERPRET DRAWING PER ASME Y14.5M-1994	SIGNATURES DRWN. BER 4/7/11 CHKD. JAF 4/7/11 ENG. JAF 4/7/11 MFG.	DATE 4/7/11 4/7/11 4/7/11	TITLE: <b>RB2-1-S-040A-11C CHASSIS STANDARD FAULT</b> 5KA MX2 40A DD/57A ID NOMINAL 46A DD/66A ID @ 115% 600VAC		400 ALPA DRIVE PETERSBURG, PA 16801 PHONE: (412) 942-9800 FAX: (412) 942-9801 WWW.BENSHAW.COM	
	THIS DRAWING AND ALL INFORMATION CONTAINED HEREIN IS THE PROPERTY OF BENSHAW INC. AND IS TO BE KEPT CONFIDENTIAL. IT IS TO BE RETURNED TO BENSHAW INC. WITHOUT THE EXPRESS WRITTEN CONSENT OF BENSHAW INC. CONVENIENCE OF THE USER AND SHALL BE RETURNED UPON REQUEST.	TOLERANCES: .XX ± .03 .XXX ± .015 ANGLES ± 1°	MATERIAL: FINISH:	SIZE: D DWG NO: CH-440131-02 SCALE: 3/4:1				REV: 3 SHEET: 1 OF 2
	<b>DO NOT SCALE DIMS</b>	FINISH:		SCALE: 3/4:1				SHEET: 1 OF 2
	FINISH:		SCALE: 3/4:1	SHEET: 1 OF 2				

1 2 3 4 5 6 7 8 9 10 11 12 13 14 15 16 17 18 19 20 21 22 23 24 25 26 27 28

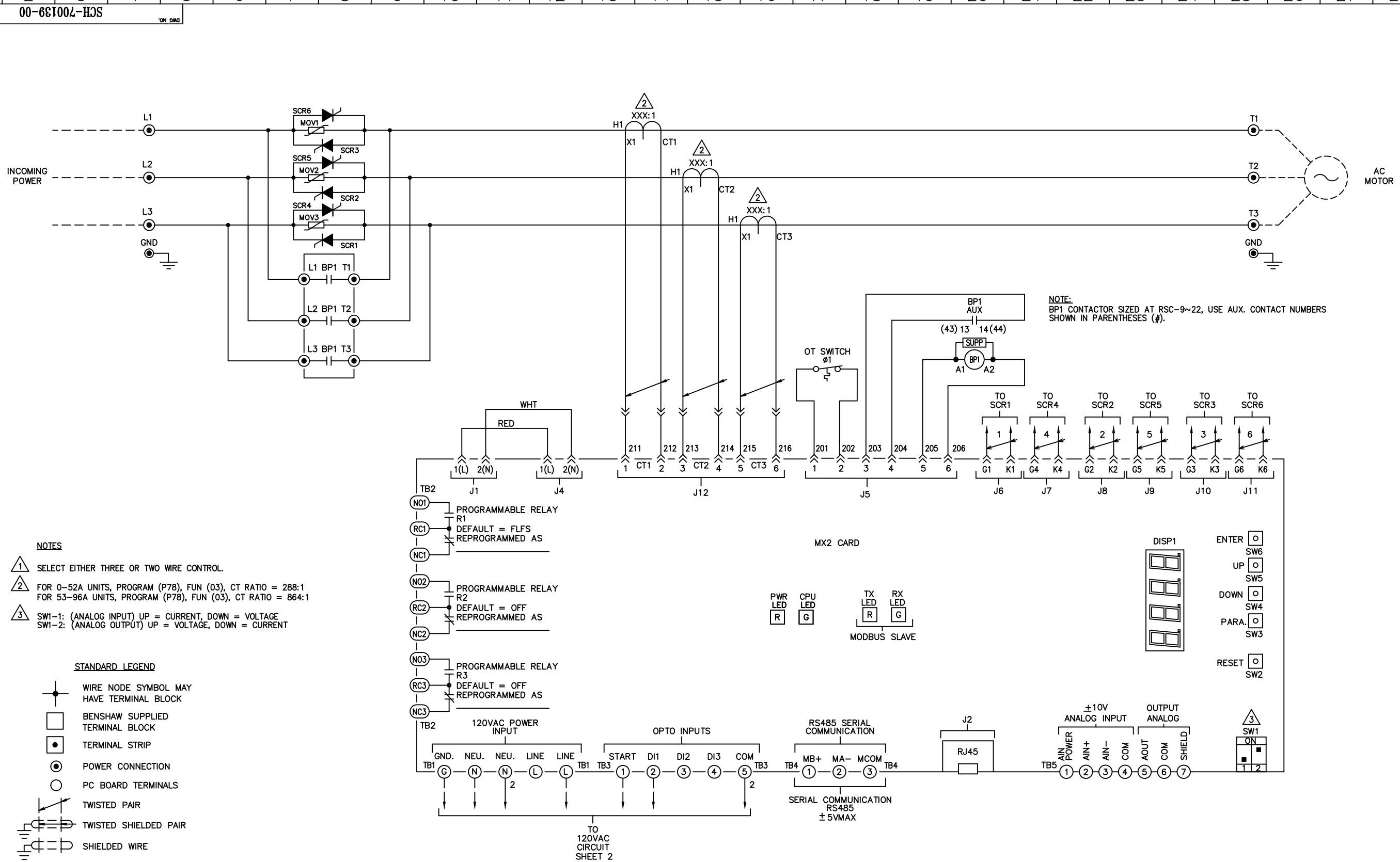
CH-440131-02

A  
B  
C  
D  
E  
F  
G  
H  
I  
J  
K  
L  
M  
N



DO NOT SCALE DIM	THIRD ANGLE PROJECTION	UNLESS OTHERWISE SPECIFIED ALL DIMENSION IN INCHES INTERPRET DRAWING PER ASME Y14.5M-1994 TOLERANCES: .XX ± .03 .XXX ± .015 ANGLES ± 1° MATERIAL: FINISH	SIGNATURES	DATE	TITLE: RB2-1-S-040A-11C CHASSIS STANDARD FAULT 5KA MX2 40A OD/57A ID NOMINAL 46A OD/66A ID @ 115% 600VAC	BENSHAW <small>425 ALPA DRIVE PITTSBURGH, PA 15201 PHONE (412) 942-2000 300 BERRY ST. E. LEHART, OHIO 44130</small>	
	THIS DRAWING AND ALL INFORMATION CONTAINS HEREIN, IS THE PROPERTY OF BENSHAW INC., AND DIVULGED TO UNAUTHORIZED PERSONS WITHOUT THE EXPRESS WRITTEN CONSENT OF BENSHAW INC. CONVENIENCE OF THE USER AND SHALL BE RETURNED UPON REQUEST.		DRWN. BER	4/7/11			REV
			CHKD. JAF	4/7/11			3
			ENG. JAF	4/7/11			
	MFG.				SCALE: 1:1	SHEET: 2 OF 2	

1 2 3 4 5 6 7 8 9 10 11 12 13 14 15 16 17 18 19 20 21 22 23 24 25 26 27 28



- NOTES**
- 1 SELECT EITHER THREE OR TWO WIRE CONTROL.
  - 2 FOR 0-52A UNITS, PROGRAM (P78), FUN (03), CT RATIO = 288:1  
FOR 53-96A UNITS, PROGRAM (P78), FUN (03), CT RATIO = 864:1
  - 3 SW1-1: (ANALOG INPUT) UP = CURRENT, DOWN = VOLTAGE  
SW1-2: (ANALOG OUTPUT) UP = VOLTAGE, DOWN = CURRENT

- STANDARD LEGEND**
- WIRE NODE SYMBOL MAY HAVE TERMINAL BLOCK
  - BENSHAW SUPPLIED TERMINAL BLOCK
  - TERMINAL STRIP
  - POWER CONNECTION
  - PC BOARD TERMINALS
  - TWISTED PAIR
  - TWISTED SHIELDED PAIR
  - SHIELDED WIRE
  - FIELD WIRING

REVISIONS DO NOT SCALE DWG	THIRD ANGLE PROJECTION	UNLESS OTHERWISE SPECIFIED ALL DIMENSIONS IN INCHES INTERPRET DRAWING PER ASME Y14.5M-1994 TOLERANCES: .XX ± .03 .XXX ± .015 ANGLES ± 1° MATERIAL: FINISH:	<b>TITLE:</b> MASTER POWER SCHEMATIC RB2, W/MX2 CONTROL FOR: 0-96A CHASSIS	SIGNATURES DRWN: JMD 1/2/2008 ENG: MSN 1/2/2008 MFD: SIZE: D DWG NO.:	815 ALPHA DRIVE PITTSBURGH, PA 15238 550 BRIGHT STREET LISTONEL, ONTARIO M4W 3W3	
	THIS DRAWING AND ALL INFORMATION CONTAINED HEREIN, IS THE PROPERTY OF BENSHAW INC., AND MAY NOT BE REPRODUCED, OR DIVULGED TO UNAUTHORIZED PERSONS WITHOUT THE EXPRESS WRITTEN CONSENT OF BENSHAW INC. IT IS PROVIDED SOLELY FOR THE CONVENIENCE OF THE USER AND SHALL BE RETURNED UPON REQUEST.			SCALE: 1:1		REV 0
	TO 120VAC CIRCUIT SHEET 2			SHEET 1 OF 2		
	SERIAL COMMUNICATION RS485 ± 5VMAX			SCH-700139-00		

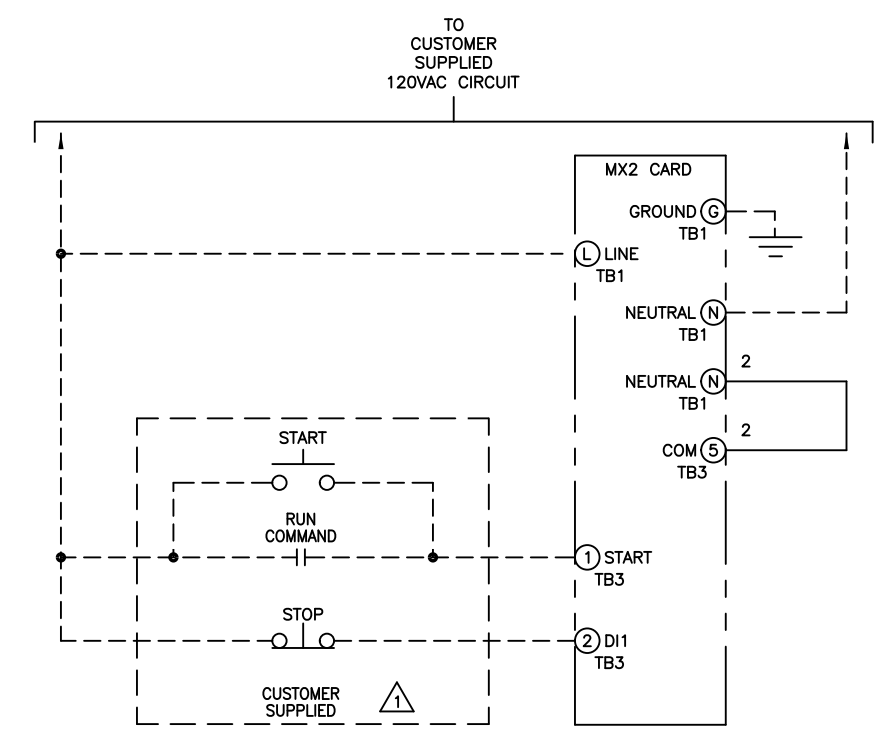
1 2 3 4 5 6 7 8 9 10 11 12 13 14 15 16 17 18 19 20 21 22 23 24 25 26 27 28

A  
B  
C  
D  
E  
F  
G  
H  
I  
J  
K  
L  
M  
N

00-661004-HJS  
ON DIM

**STANDARD LEGEND**

- WIRE NODE SYMBOL MAY HAVE TERMINAL BLOCK
- BENSRAW SUPPLIED TERMINAL BLOCK
- TERMINAL STRIP
- POWER CONNECTION
- PC BOARD TERMINALS
- TWISTED PAIR
- TWISTED SHIELDED PAIR
- SHIELDED WIRE
- FIELD WIRING



REVISIONS DO NOT SCALE DWG	THIRD ANGLE PROJECTION	UNLESS OTHERWISE SPECIFIED ALL DIMENSIONS IN INCHES INTERPRET DRAWING PER ASME Y14.5M-1994 TOLERANCES: .XX ± .03 .XXX ± .015 ANGLES ± 1°	TITLE: MASTER CONTROL SCHEMATIC RB2, W/MX2 CONTROL FOR: 0-96A CHASSIS	SIGNATURES: _____ DATE: 1/2/2006 DRWN: JMD ENG: MSN MFG: _____ SIZE: D DWG NO.	BENSRAW 815 ALPHA DRIVE PITTSBURGH, PA 15238 550 BRIGHT STREET LITTONEL, ONTARIO M4W 3W3	REV 0
	THIS DRAWING AND ALL INFORMATION CONTAINED HEREIN, IS THE PROPERTY OF BENSRAW INC., AND MAY NOT BE REPRODUCED, OR DIVULGED TO UNAUTHORIZED PERSONS WITHOUT THE EXPRESS WRITTEN CONSENT OF BENSRAW INC. IT IS PROVIDED SOLELY FOR THE CONVENIENCE OF THE USER AND SHALL BE RETURNED UPON REQUEST.	MATERIAL: FINISH:	SCALE: 1:1	SHEET 2 OF 2		
	SCH-700139-00			REV 0		
	00-661004-HJS			REV 0		