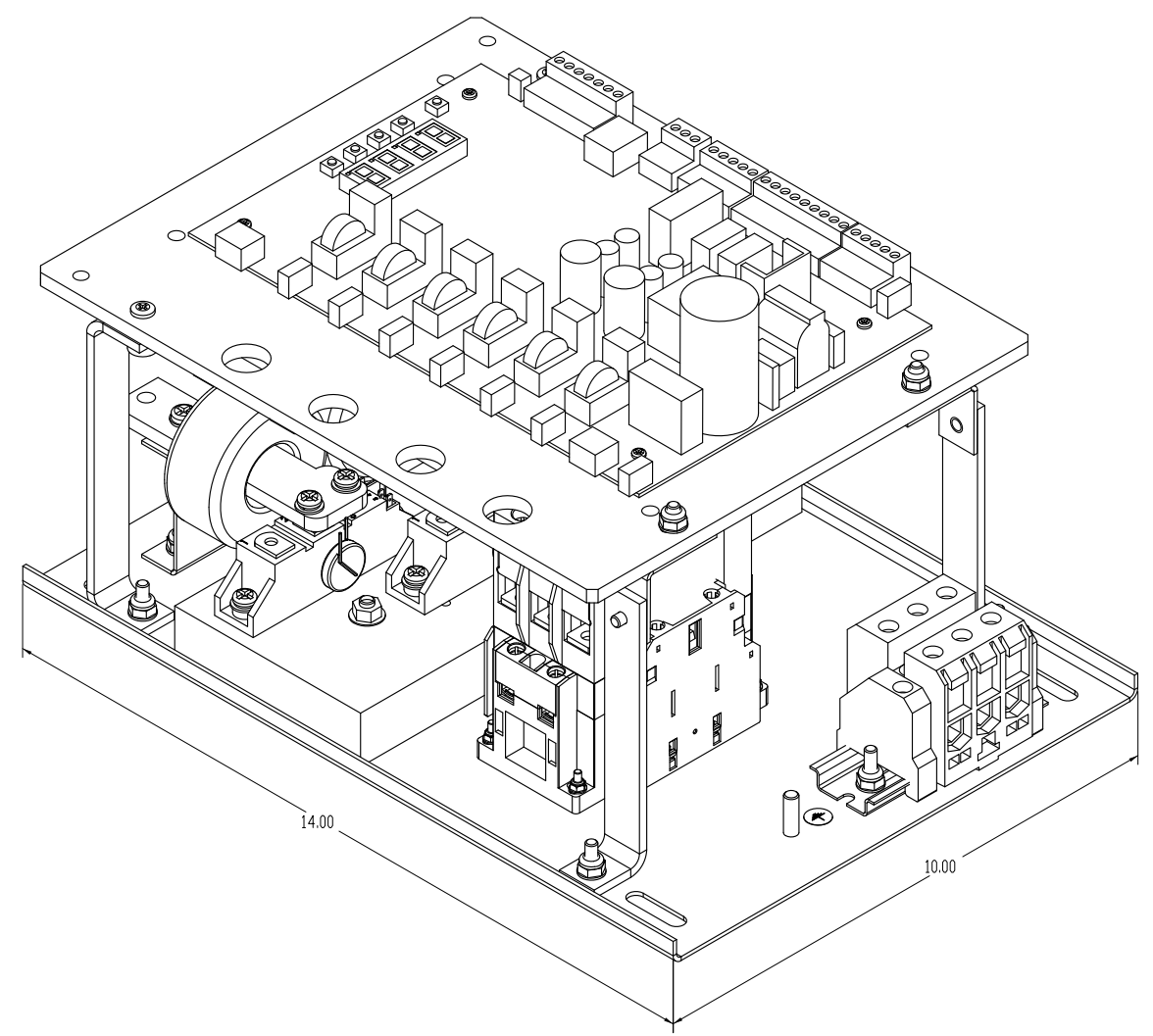
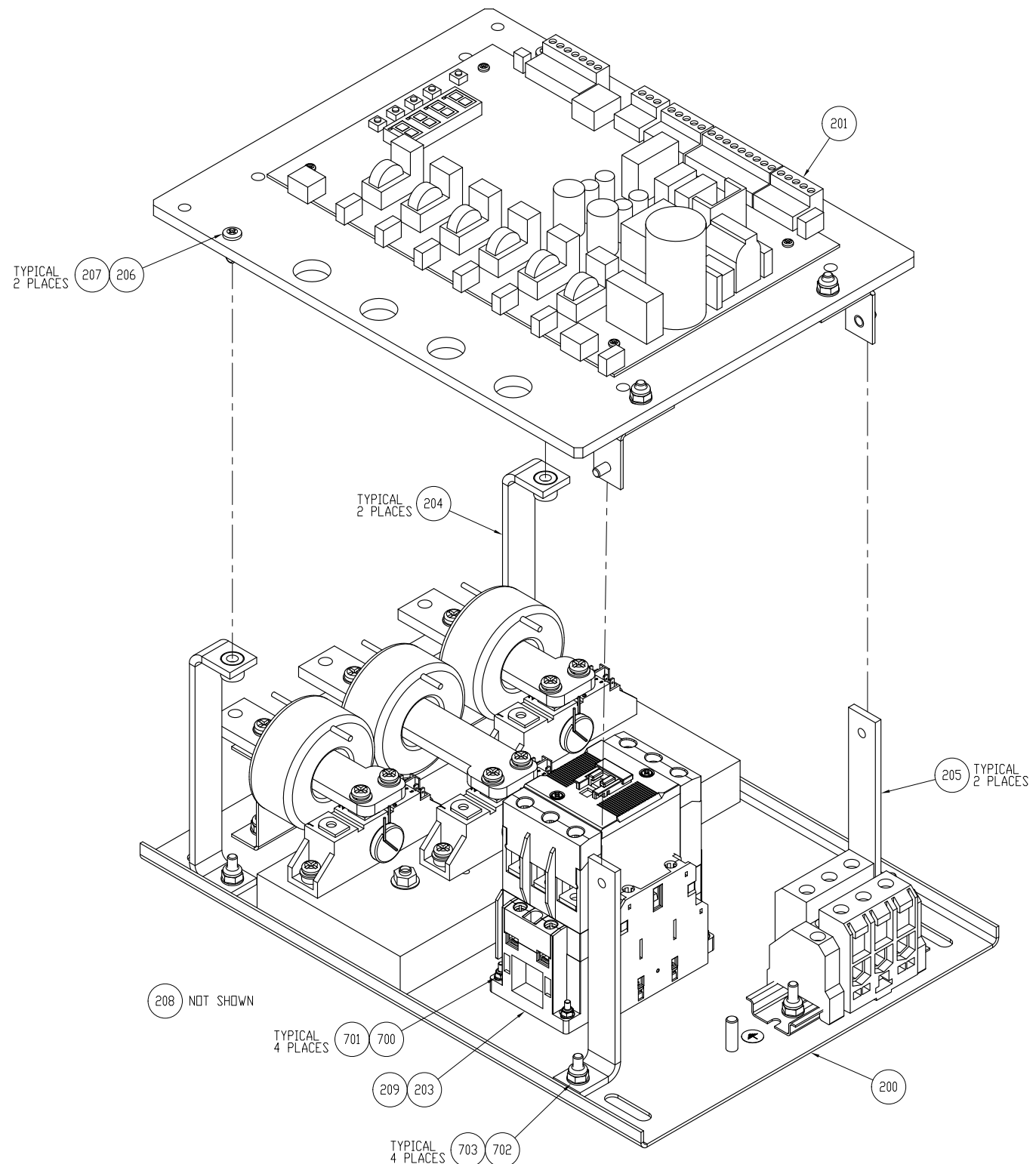


A
B
C
D
E
F
G
H
I
J
K
L
M
N



FULL ASSEMBLY
SCALE: 3/4=1

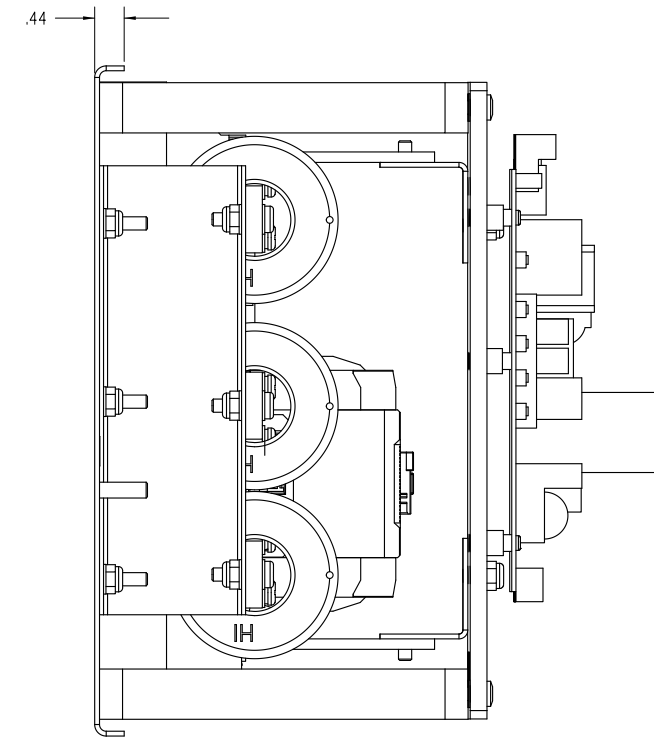
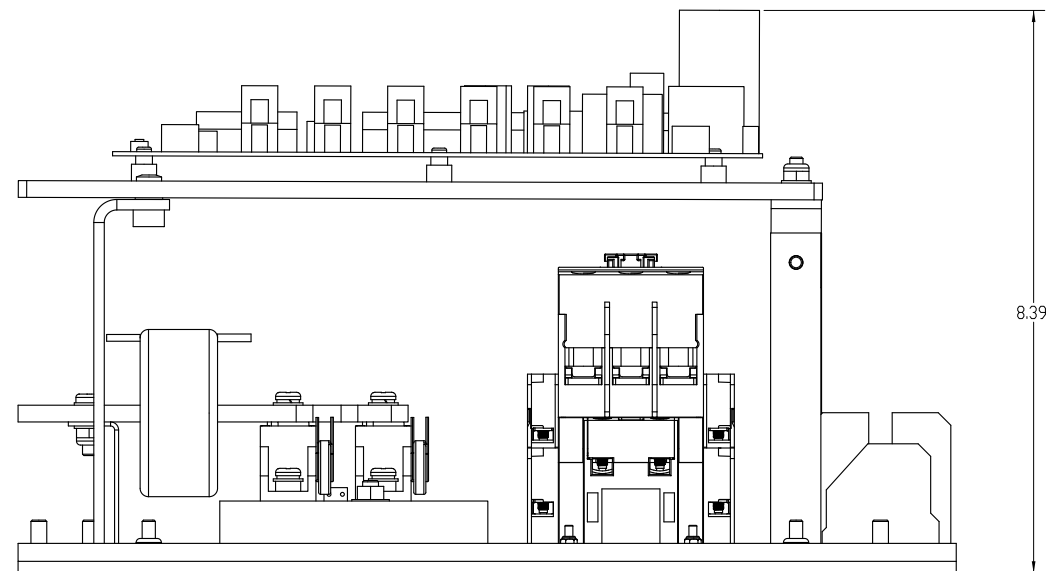
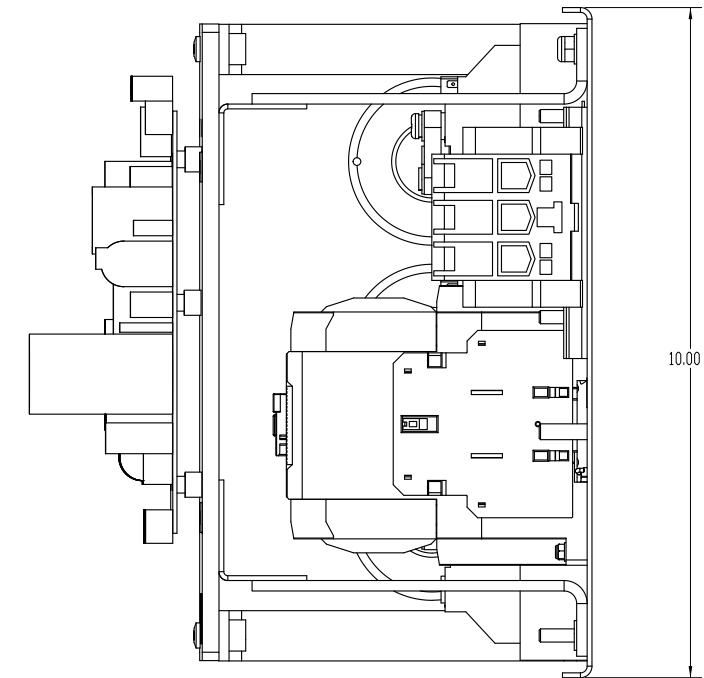
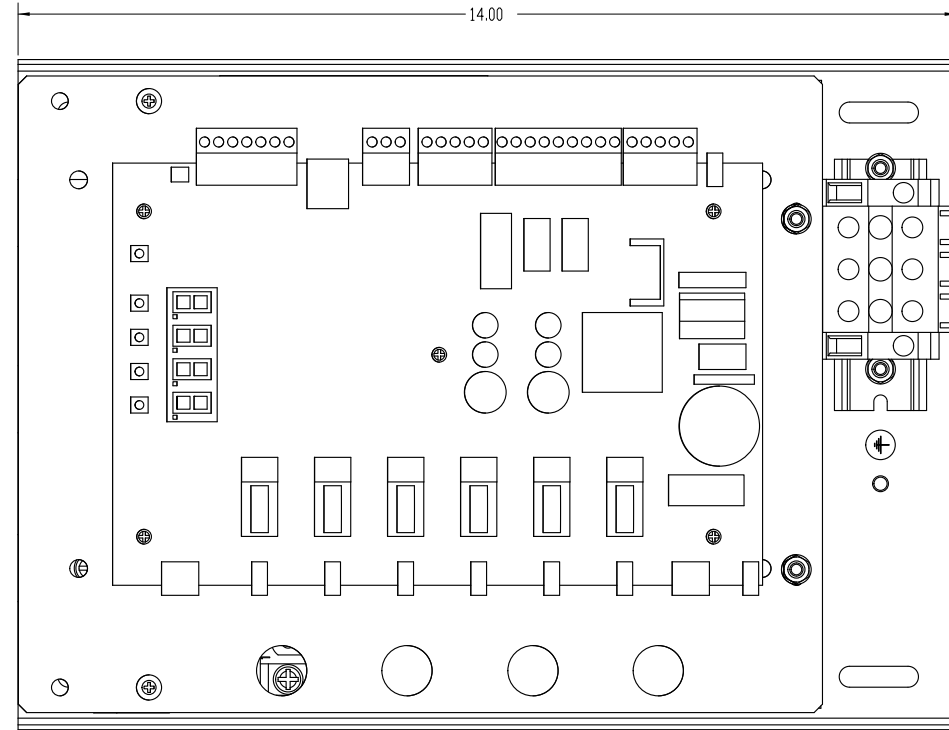
- NOTES:
- TIGHTEN ALL M3-0.50 SCREWS TO 0.7 Nm OR (0.52 FT LBS)
TIGHTEN ALL M5-0.80 SCREWS TO 3.3 Nm OR (2.42 FT LBS)
TIGHTEN ALL M6-1.00 BOLTS TO 6.77 Nm OR (5 FT LBS)

REV: 3 APPD: BDA 10/22/14 CHGD: MCL 10/22/14 DESCRIPTION: REMOVE NEG. QTY ITEMS FROM BOM	REV: 2 APPD: JRB 5/5/2015 CHGD: JRB 5/5/2015 DESCRIPTION: ADD BIC CONTACT IN PLACE OF PSC PWS UPDATED IN ASSY	THIRD ANGLE PROJECTION	UNLESS OTHERWISE SPECIFIED ALL DIMENSION IN INCHES INTERPRET DRAWING PER ASME Y14.5M-1994	SIGNATURES DRWN. BER 4/13/11 CHKD. JAF 4/13/11 ENG. JAF 4/13/11 MFG.	DATE 4/13/11 4/13/11 4/13/11	TITLE: RB2-1-S-052A-12C CHASSIS STANDARD FAULT SKA MX2 52A DD/XXA ID NORMAL XXA DD/XXA ID #115% 600VAC	BENSHAW 605 ALPAC DRIVE PETERSBURG, VA 23109 PHONE 1-800-949-0000 500 BROAD ST. E. LITTLETON, COLORADO 80120	SIZE D	DWG NO. CH-440131-04	REV 3
		THIS DRAWING AND ALL INFORMATION CONTAINED HEREIN IS THE PROPERTY OF BENSHAW INC. AND IS NOT TO BE REPRODUCED OR TRANSMITTED IN ANY FORM OR BY ANY MEANS, ELECTRONIC OR MECHANICAL, INCLUDING PHOTOCOPYING, RECORDING, OR BY ANY INFORMATION STORAGE AND RETRIEVAL SYSTEMS, WITHOUT THE EXPRESS WRITTEN CONSENT OF BENSHAW INC. CONVENIENCE OF THE USER AND SHALL BE RETURNED UPON REQUEST.		FINISH	SCALE: 3/4=1					

1 2 3 4 5 6 7 8 9 10 11 12 13 14 15 16 17 18 19 20 21 22 23 24 25 26 27 28

CH-440131-04

A
B
C
D
E
F
G
H
I
J
K
L
M
N



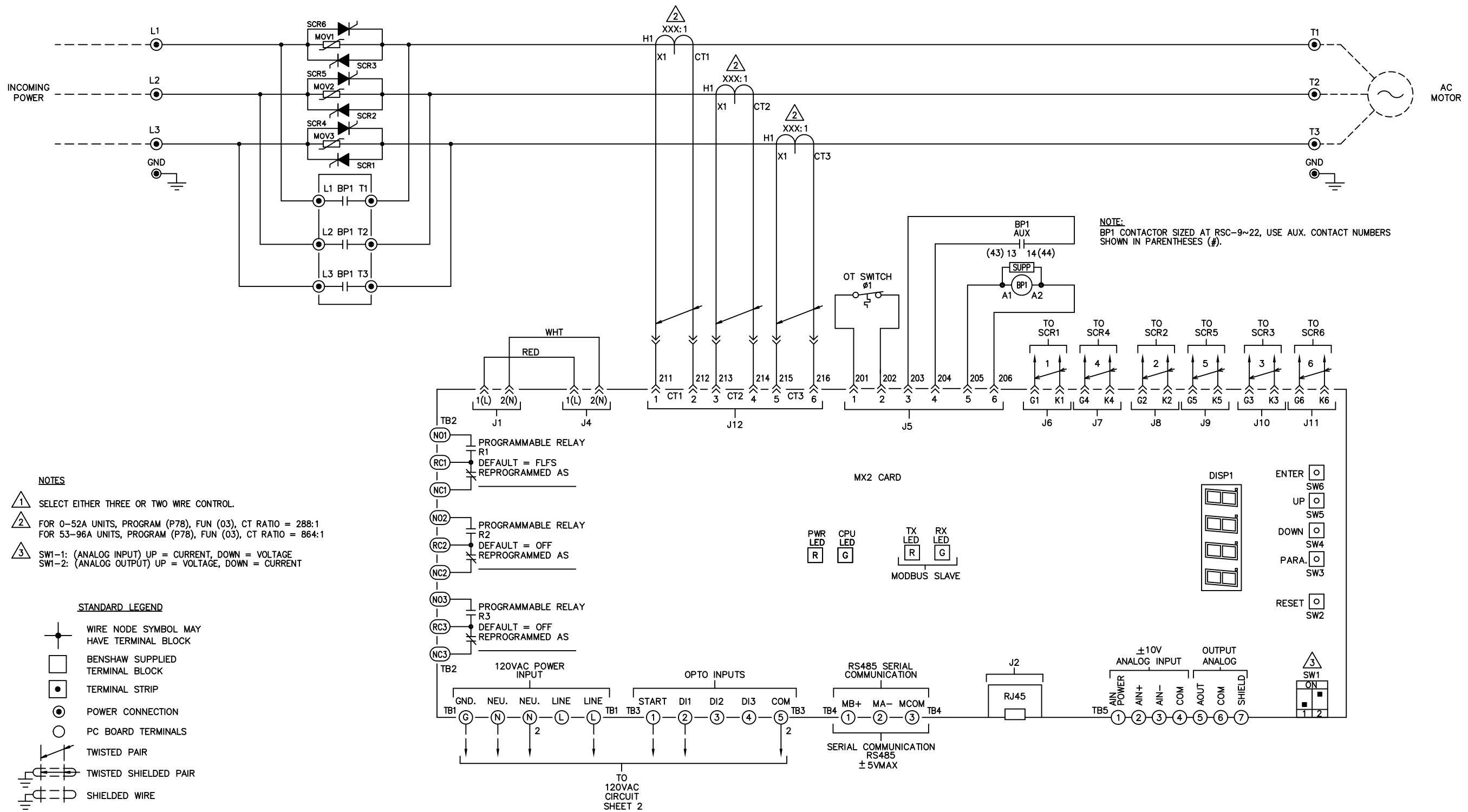
LEFT VIEW

DO NOT SCALE DWG	THIRD ANGLE PROJECTION	UNLESS OTHERWISE SPECIFIED ALL DIMENSION IN INCHES INTERPRET DRAWING PER ASME Y14.5M-1994 TOLERANCES: X ± 1/8 ANGLES ± 1° XX ± .03 XXX ± .015 MATERIAL: FINISH:	SIGNATURES	DATE	TITLE: RB2-1-S-052A-12C CHASSIS STANDARD FAULT SKA MX2 52A DD/XXA ID NORMAL XXA DD/XXA ID @115% 600VAC	605 ALPAC DRIVE PETERSBURG, VA 22084 PHONE 1-800-940-0000 500 BROAD ST. E. LITTLETON, COLORADO 80120		
	THIS DRAWING AND ALL INFORMATION CONTAINS HEREIN, IS THE PROPERTY OF BENSHAW INC., AND DIVULGED TO UNAUTHORIZED PERSONS WITHOUT THE EXPRESS WRITTEN CONSENT OF BENSHAW INC. CONVENIENCE OF THE USER AND SHALL BE RETURNED UPON REQUEST.		DRWN. BER	4/13/11			SIZE	REV
			CHKD. JAF	4/13/11			D	3
			ENG. JAF	4/13/11			MFG.	
		SCALE: 3/4:1		SHEET: 2 OF 2				

1 2 3 4 5 6 7 8 9 10 11 12 13 14 15 16 17 18 19 20 21 22 23 24 25 26 27 28

A
B
C
D
E
F
G
H
I
J
K
L
M
N

00-661004-HJS



NOTE:
BP1 CONTACTOR SIZED AT RSC-9~22, USE AUX. CONTACT NUMBERS SHOWN IN PARENTHESES (#).

- NOTES**
- 1 SELECT EITHER THREE OR TWO WIRE CONTROL.
 - 2 FOR 0-52A UNITS, PROGRAM (P78), FUN (03), CT RATIO = 288:1
FOR 53-96A UNITS, PROGRAM (P78), FUN (03), CT RATIO = 864:1
 - 3 SW1-1: (ANALOG INPUT) UP = CURRENT, DOWN = VOLTAGE
SW1-2: (ANALOG OUTPUT) UP = VOLTAGE, DOWN = CURRENT

- STANDARD LEGEND**
- WIRE NODE SYMBOL MAY HAVE TERMINAL BLOCK
 - BENSHAW SUPPLIED TERMINAL BLOCK
 - TERMINAL STRIP
 - POWER CONNECTION
 - PC BOARD TERMINALS
 - TWISTED PAIR
 - TWISTED SHIELDED PAIR
 - SHIELDED WIRE
 - FIELD WIRING

REVISIONS DO NOT SCALE DWG	THIRD ANGLE PROJECTION	UNLESS OTHERWISE SPECIFIED ALL DIMENSIONS IN INCHES INTERPRET DRAWING PER ASME Y14.5M-1994 TOLERANCES: .XX ± .03 .XXX ± .015 ANGLES ± 1°	TITLE: MASTER POWER SCHEMATIC RB2, W/MX2 CONTROL FOR: 0-96A CHASSIS	SIGNATURES: JMD DATE: 1/2/2008 ENG: MSN MFG: 1/2/2008 SIZE: D DWG NO.: SCH-700139-00
	THIS DRAWING AND ALL INFORMATION CONTAINED HEREIN IS THE PROPERTY OF BENSHAW INC., AND MAY NOT BE REPRODUCED, OR DIVULGED TO UNAUTHORIZED PERSONS WITHOUT THE EXPRESS WRITTEN CONSENT OF BENSHAW INC. IT IS PROVIDED SOLELY FOR THE CONVENIENCE OF THE USER AND SHALL BE RETURNED UPON REQUEST.			815 ALPHA DRIVE PITTSBURGH, PA 15238 550 BRIGHT STREET LISTONEL, ONTARIO M4W 3W3
	FINISH:			REV: 0
	SCALE: 1:1			SHEET 1 OF 2

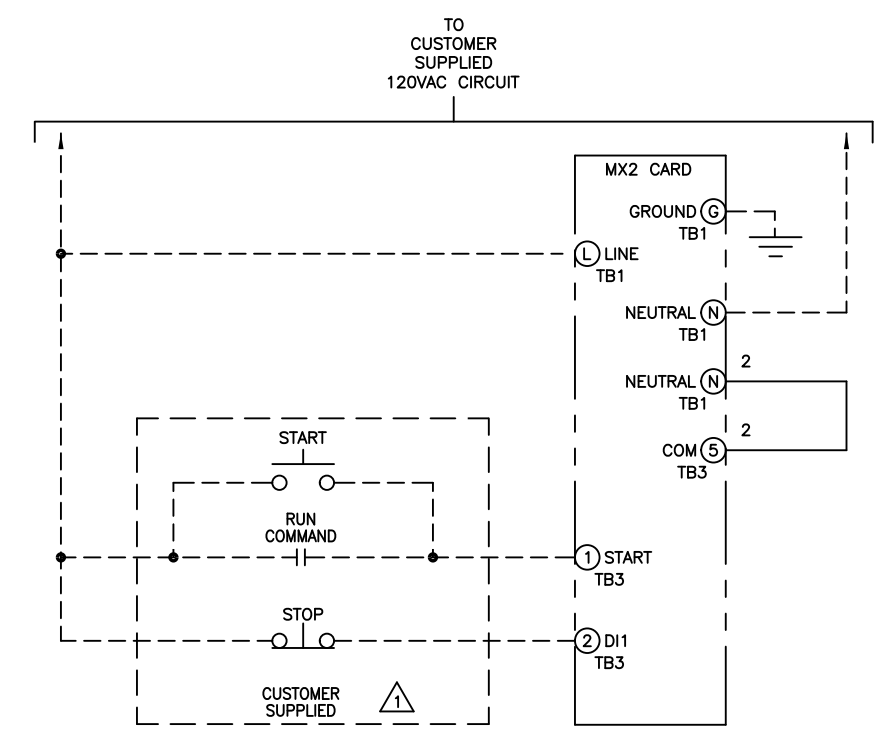
1 2 3 4 5 6 7 8 9 10 11 12 13 14 15 16 17 18 19 20 21 22 23 24 25 26 27 28

A
B
C
D
E
F
G
H
I
J
K
L
M
N

00-661004-HJS
ON DIM

STANDARD LEGEND

- WIRE NODE SYMBOL MAY HAVE TERMINAL BLOCK
- BENSRAW SUPPLIED TERMINAL BLOCK
- TERMINAL STRIP
- POWER CONNECTION
- PC BOARD TERMINALS
- TWISTED PAIR
- TWISTED SHIELDED PAIR
- SHIELDED WIRE
- FIELD WIRING



REVISIONS DO NOT SCALE DWG	THIRD ANGLE PROJECTION	UNLESS OTHERWISE SPECIFIED ALL DIMENSIONS IN INCHES INTERPRET DRAWING PER ASME Y14.5M-1994 TOLERANCES: .XX ± .03 .XXX ± .015 ANGLES ± 1°	TITLE: MASTER CONTROL SCHEMATIC RB2, W/MX2 CONTROL FOR: 0-96A CHASSIS	SIGNATURES: _____ DATE: 1/2/2006 DRWN: JMD ENG: MSN MFG: _____ SIZE: D DWG NO.	BENSRAW 815 ALPHA DRIVE PITTSBURGH, PA 15238 550 BRIGHT STREET LITTONEL, ONTARIO M4W 3W3	REV 0
	THIS DRAWING AND ALL INFORMATION CONTAINED HEREIN, IS THE PROPERTY OF BENSRAW INC., AND MAY NOT BE REPRODUCED, OR DIVULGED TO UNAUTHORIZED PERSONS WITHOUT THE EXPRESS WRITTEN CONSENT OF BENSRAW INC. IT IS PROVIDED SOLELY FOR THE CONVENIENCE OF THE USER AND SHALL BE RETURNED UPON REQUEST.	MATERIAL: _____ FINISH: _____	SCALE: 1:1	SHEET 2 OF 2		
	SCH-700139-00			REV 0		
	00-661004-HJS			REV 0		