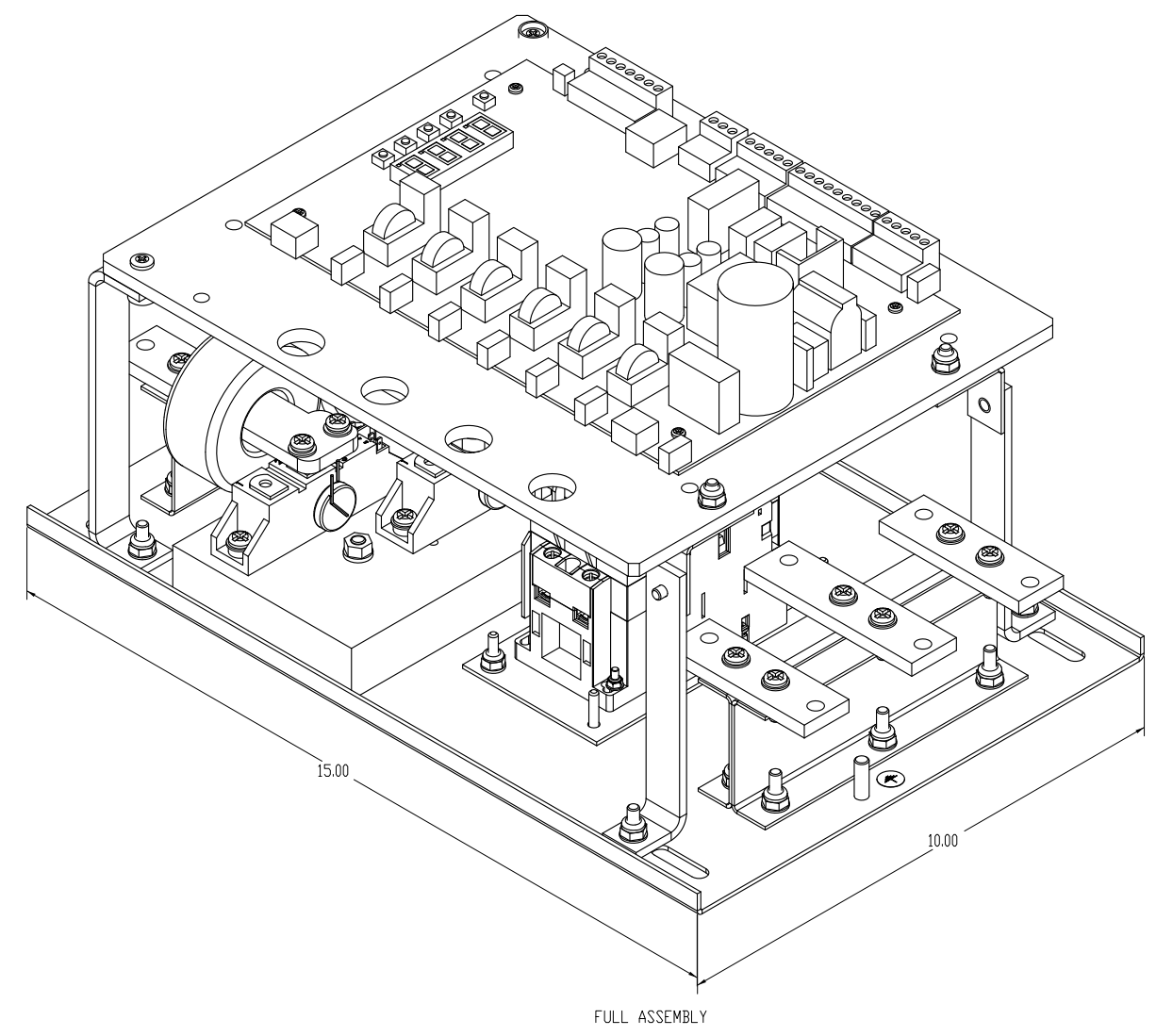
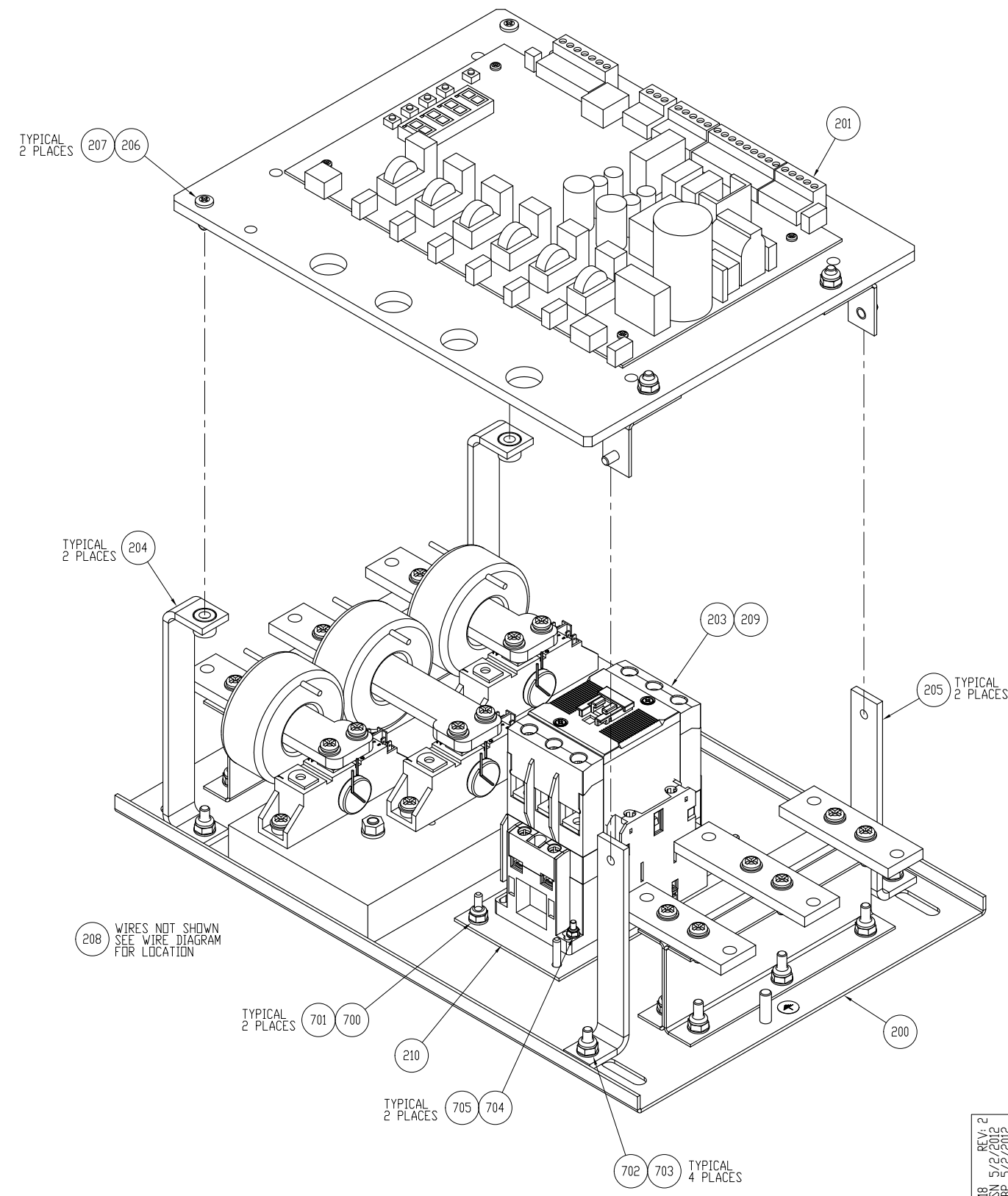


A  
B  
C  
D  
E  
F  
G  
H  
I  
J  
K  
L  
M  
N



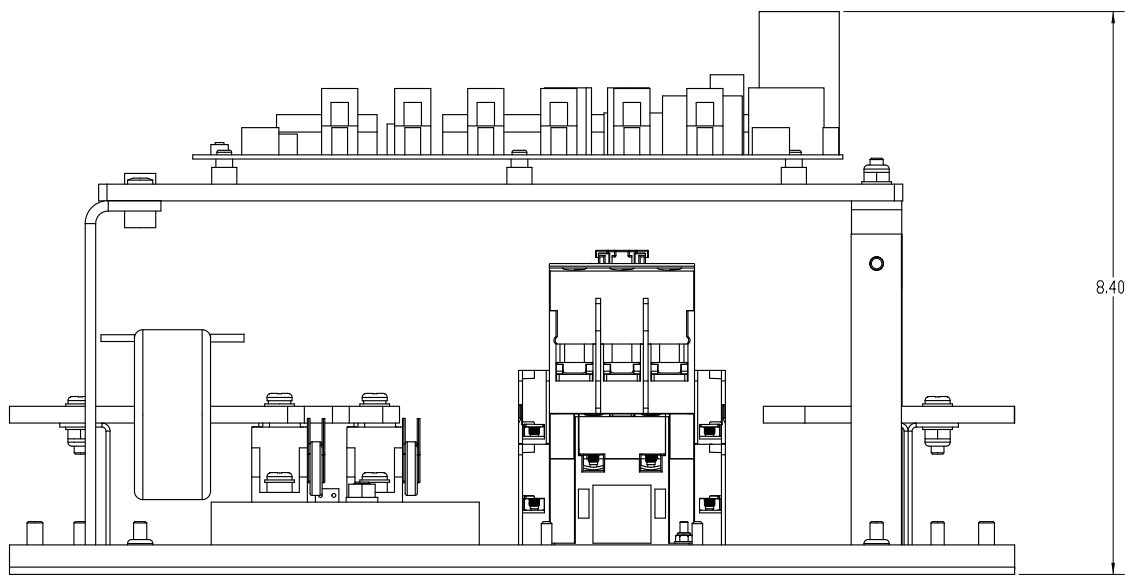
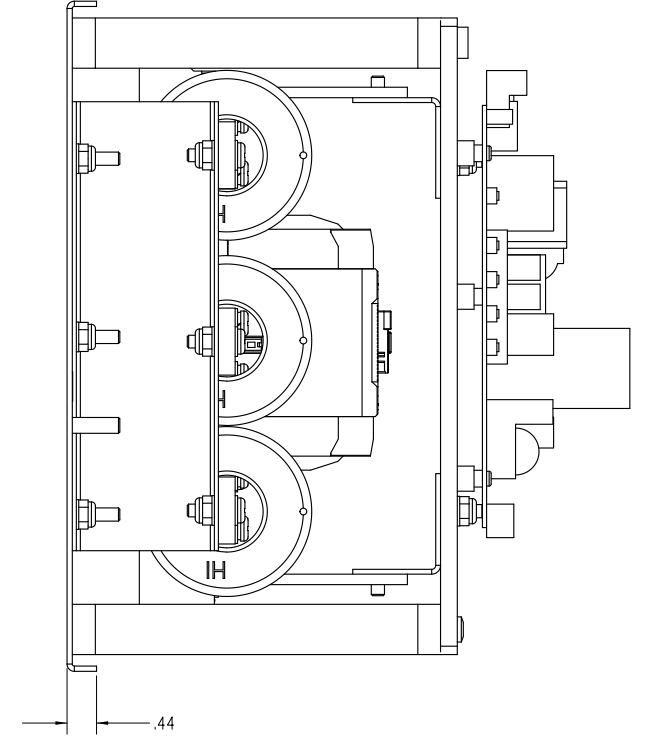
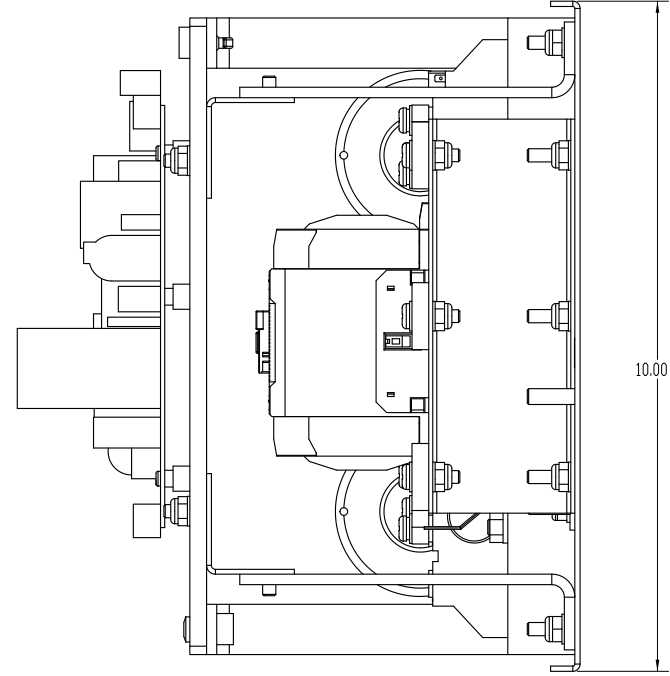
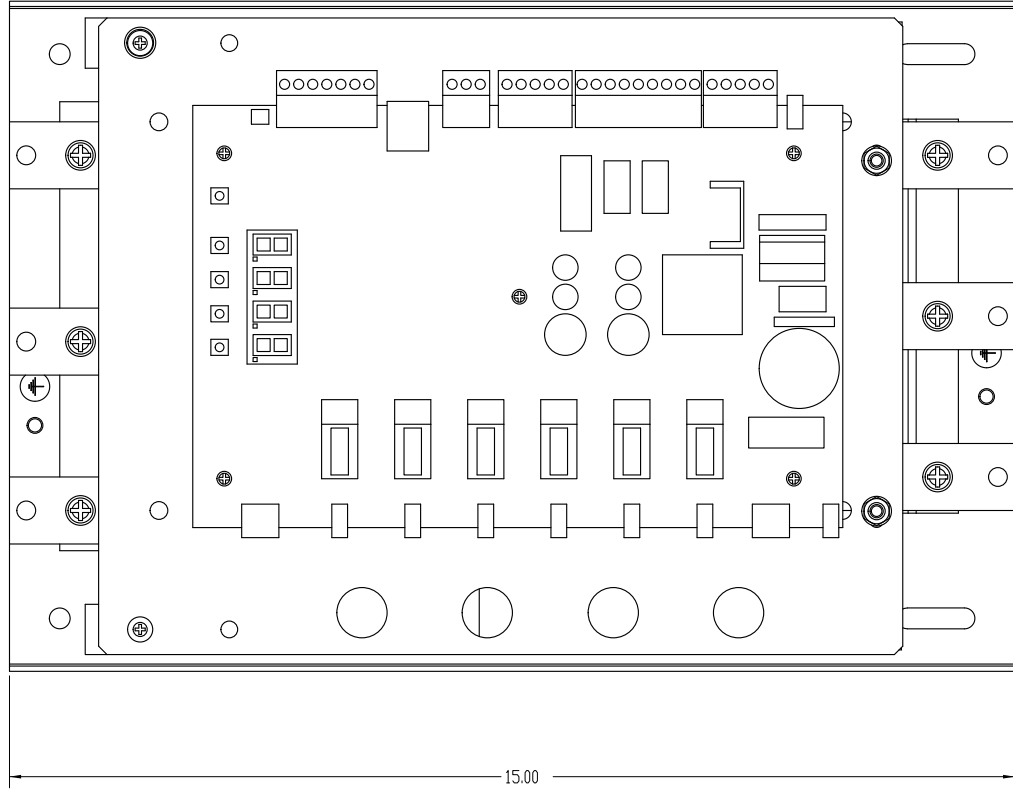
- NOTES:
- TIGHTEN ALL M4-0.70 SCREWS TO 3 Nm OR (2.2 FT LBS)  
TIGHTEN ALL M5-0.80 SCREWS TO 3.3 Nm OR (2.43 FT LBS)  
TIGHTEN ALL M6-1.00 BOLTS TO 6.77 Nm OR (5 FT LBS)

ECD: E3718 APPD: MSN 5/2/2012 CHGD: JBP 5/2/2012 DESCRIPTION: CHGD CONTACTOR FROM RC-75 TO RC-65. ADD ADAPTER PLATE ITEM 200. ADD HARDWARE ITEM 704 AND 705. REV: 2	REV: 1 APPD: MSN 5/2/2012 CHGD: JBP 5/5/2012 DESCRIPTION: ADD RC CONTACTOR IN PLACE OF RSC PWS UPDATED ON ASSY. REV: 1	THIRD ANGLE PROJECTION	UNLESS OTHERWISE SPECIFIED ALL DIMENSION IN INCHES INTERPRET DRAWING PER ASME Y14.5M-1994 TOLERANCES: .XX ± .03 .XXX ± .05 ANGLES ± 1°	SIGNATURES		DATE	TITLE: RB2-1-S-077A-13C STANDARD FAULT 10KA MX2 77A OD/89A ID NORMAL 119A OD/137A ID @115Z 600VAC	BENSHAW 300 BERRY ST. E. LEBANON, OHIO 45030 614-762-2000			
		THIS DRAWING AND ALL INFORMATION CONTAINS HEREIN, IS THE PROPERTY OF BENSHAW INC., AND DIVULGED TO UNAUTHORIZED PERSONS WITHOUT THE EXPRESS WRITTEN CONSENT OF BENSHAW INC. CONVENIENCE OF THE USER AND SHALL BE RETURNED UPON REQUEST.		DRWN. BER CHKD. JAF ENG. JAF MFG.	4/14/11 4/14/11 4/14/11	SIZE: D DWG NO: CH-440133-00 SCALE: 3/4:1			REV: 2 SHEET: 1 OF 2		
		DO NOT SCALE DIM				FINISH					

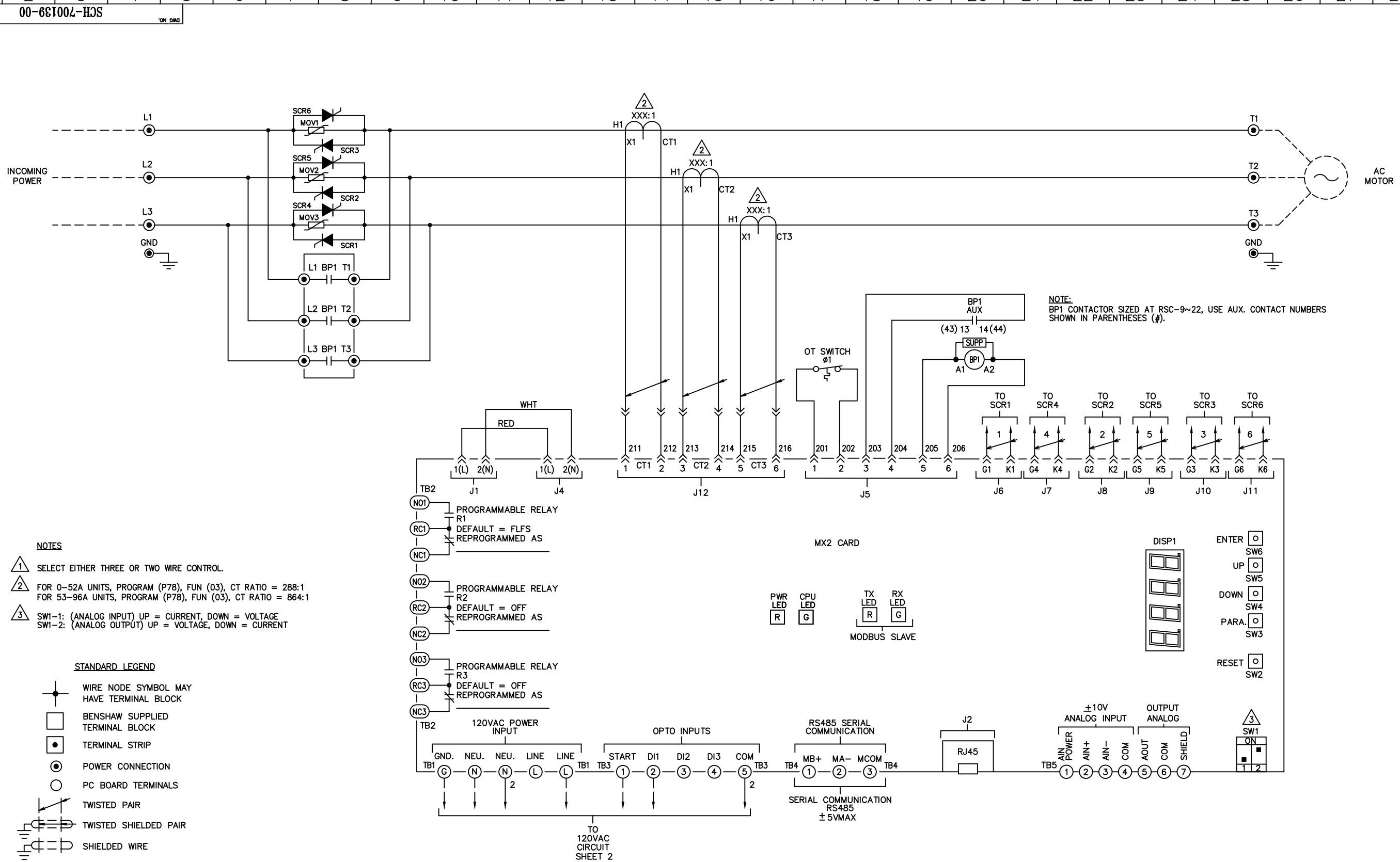
1 2 3 4 5 6 7 8 9 10 11 12 13 14 15 16 17 18 19 20 21 22 23 24 25 26 27 28

CH-440133-00

A  
B  
C  
D  
E  
F  
G  
H  
I  
J  
K  
L  
M  
N



DO NOT SCALE DWG	THIRD ANGLE PROJECTION	UNLESS OTHERWISE SPECIFIED ALL DIMENSION IN INCHES INTERPRET DRAWING PER ASME Y14.5M-1994	SIGNATURES	DATE	TITLE: RB2-1-S-077A-13C STANDARD FAULT 10KA MX2 77A OD/89A ID NORMAL 119A OD/137A ID @115% 600VAC		<small>625 ALPHEA DRIVE PITTSBURGH, PA 15201 PHONE (412) 942-2000 300 BERRY ST. E. LEHART, PENNSYLVANIA 15230</small>	
	THIS DRAWING AND ALL INFORMATION CONTAINS HEREIN IS THE PROPERTY OF BENSHAW INC. AND DIVULGED TO UNAUTHORIZED PERSONS WITHOUT THE EXPRESS WRITTEN CONSENT OF BENSHAW INC. CONVENIENCE OF THE USER AND SHALL BE RETURNED UPON REQUEST.		TOLERANCES:	DRWN. BER				4/14/11
			MATERIAL:	CHKD. JAF				4/14/11
			FINISH:	ENG. JAF				4/14/11
		MFG.		SIZE: D	DWG NO: CH-440133-00	REV: 2		
				SCALE: 3/4:1	SHEET: 2 OF 2			



NOTE: BP1 CONTACTOR SIZED AT RSC-9~22, USE AUX. CONTACT NUMBERS SHOWN IN PARENTHESES (#).

- NOTES**
- 1 SELECT EITHER THREE OR TWO WIRE CONTROL.
  - 2 FOR 0-52A UNITS, PROGRAM (P78), FUN (03), CT RATIO = 288:1  
FOR 53-96A UNITS, PROGRAM (P78), FUN (03), CT RATIO = 864:1
  - 3 SW1-1: (ANALOG INPUT) UP = CURRENT, DOWN = VOLTAGE  
SW1-2: (ANALOG OUTPUT) UP = VOLTAGE, DOWN = CURRENT

- STANDARD LEGEND**
- WIRE NODE SYMBOL MAY HAVE TERMINAL BLOCK
  - BENSHAW SUPPLIED TERMINAL BLOCK
  - TERMINAL STRIP
  - POWER CONNECTION
  - PC BOARD TERMINALS
  - TWISTED PAIR
  - TWISTED SHIELDED PAIR
  - SHIELDED WIRE
  - FIELD WIRING




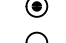
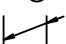
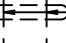
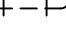


REVISIONS DO NOT SCALE DWG	THIRD ANGLE PROJECTION	UNLESS OTHERWISE SPECIFIED ALL DIMENSIONS IN INCHES INTERPRET DRAWING PER ASME Y14.5M-1994 TOLERANCES: .XX ± .03 .XXX ± .015 ANGLES ± 1° MATERIAL: FINISH:	<b>TITLE:</b> MASTER POWER SCHEMATIC RB2, W/MX2 CONTROL FOR: 0-96A CHASSIS	SIGNATURES DRWN: JMD 1/2/2008 ENG: MSN 1/2/2008 MFD: MSN 1/2/2008 SIZE: D DWG NO.: SCH-700139-00	815 ALPHA DRIVE PITTSBURGH, PA 15238 550 BRIGHT STREET LISTONEL, ONTARIO M4W 3W3	
	THIS DRAWING AND ALL INFORMATION CONTAINED HEREIN IS THE PROPERTY OF BENSHAW INC., AND MAY NOT BE REPRODUCED, OR DIVULGED TO UNAUTHORIZED PERSONS WITHOUT THE EXPRESS WRITTEN CONSENT OF BENSHAW INC. IT IS PROVIDED SOLELY FOR THE CONVENIENCE OF THE USER AND SHALL BE RETURNED UPON REQUEST.			SCALE: 1:1		REV 0
	SHEET 1 OF 2					
	SCALE: 1:1					

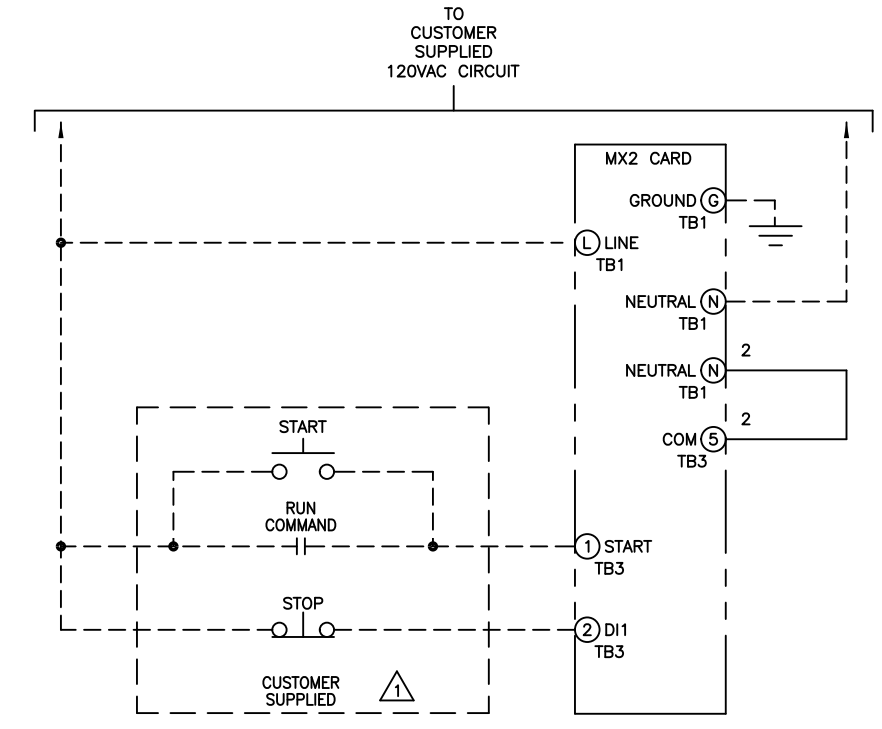
1 2 3 4 5 6 7 8 9 10 11 12 13 14 15 16 17 18 19 20 21 22 23 24 25 26 27 28

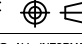

A  
B  
C  
D  
E  
F  
G  
H  
I  
J  
K  
L  
M  
N

00-661004-HJS  
ON DIM

**STANDARD LEGEND**

-  WIRE NODE SYMBOL MAY HAVE TERMINAL BLOCK
-  BENSHAW SUPPLIED TERMINAL BLOCK
-  TERMINAL STRIP
-  POWER CONNECTION
-  PC BOARD TERMINALS
-  TWISTED PAIR
-  TWISTED SHIELDED PAIR
-  SHIELDED WIRE
-  FIELD WIRING



REVISIONS DO NOT SCALE DWG	THIRD ANGLE PROJECTION 	UNLESS OTHERWISE SPECIFIED ALL DIMENSIONS IN INCHES INTERPRET DRAWING PER ASME Y14.5M-1994 TOLERANCES: .XX ± .03 .XXX ± .015 ANGLES ± 1°	TITLE: MASTER CONTROL SCHEMATIC RB2, W/MX2 CONTROL FOR: 0-96A CHASSIS	SIGNATURES: _____ DATE: 1/2/2006 DRWN: JMD ENG: MSN MFG: _____ SIZE: D DWG NO.	 815 ALPHA DRIVE PITTSBURGH, PA 15238 550 BRIGHT STREET LITTONEL, ONTARIO M4W 3W3	REV 0	
	THIS DRAWING AND ALL INFORMATION CONTAINED HEREIN, IS THE PROPERTY OF BENSHAW INC., AND MAY NOT BE REPRODUCED, OR DIVULGED TO UNAUTHORIZED PERSONS WITHOUT THE EXPRESS WRITTEN CONSENT OF BENSHAW INC. IT IS PROVIDED SOLELY FOR THE CONVENIENCE OF THE USER AND SHALL BE RETURNED UPON REQUEST.	MATERIAL: FINISH:	SCALE: 1:1	SHEET 2 OF 2			
				SCH-700139-00			