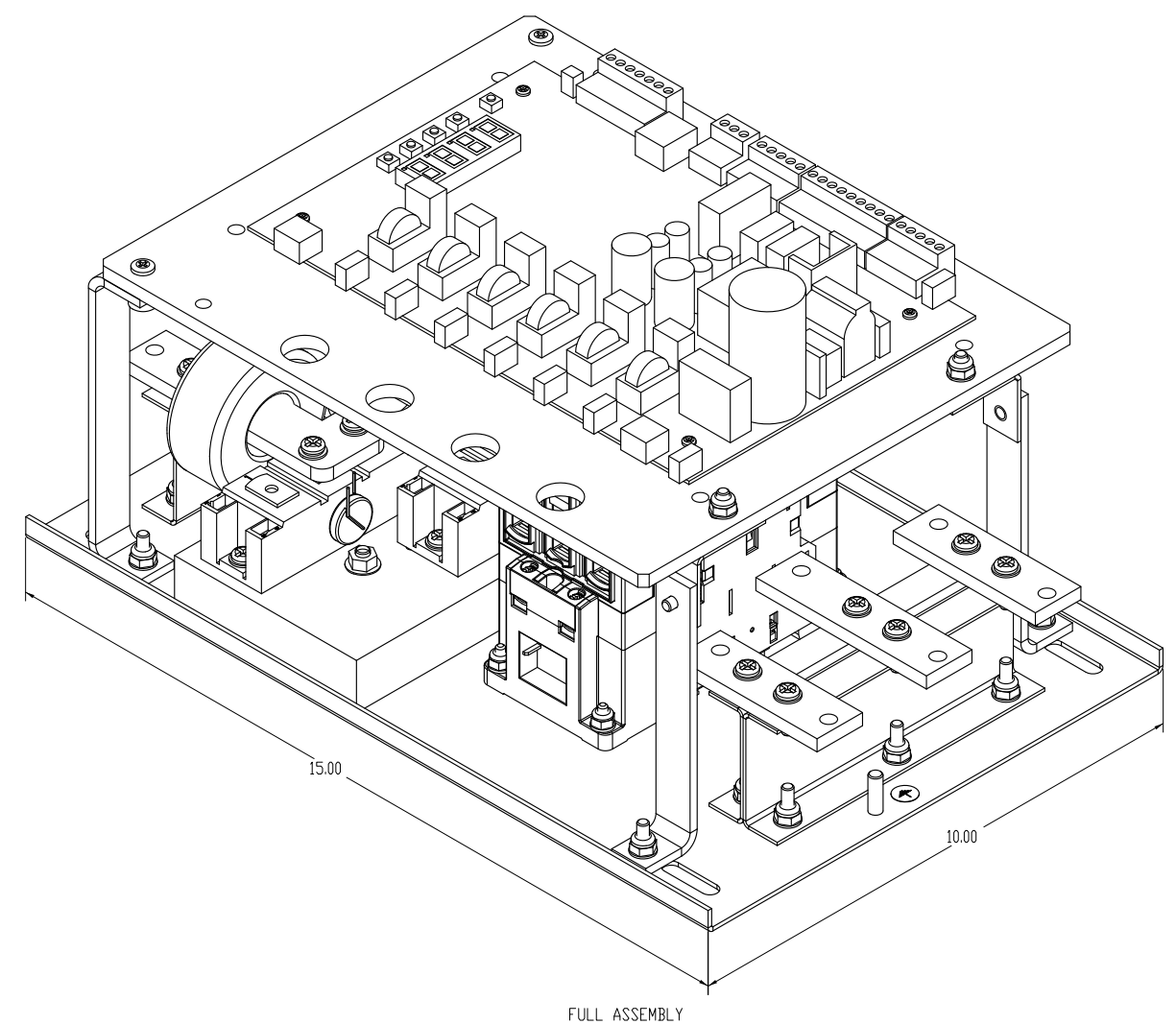
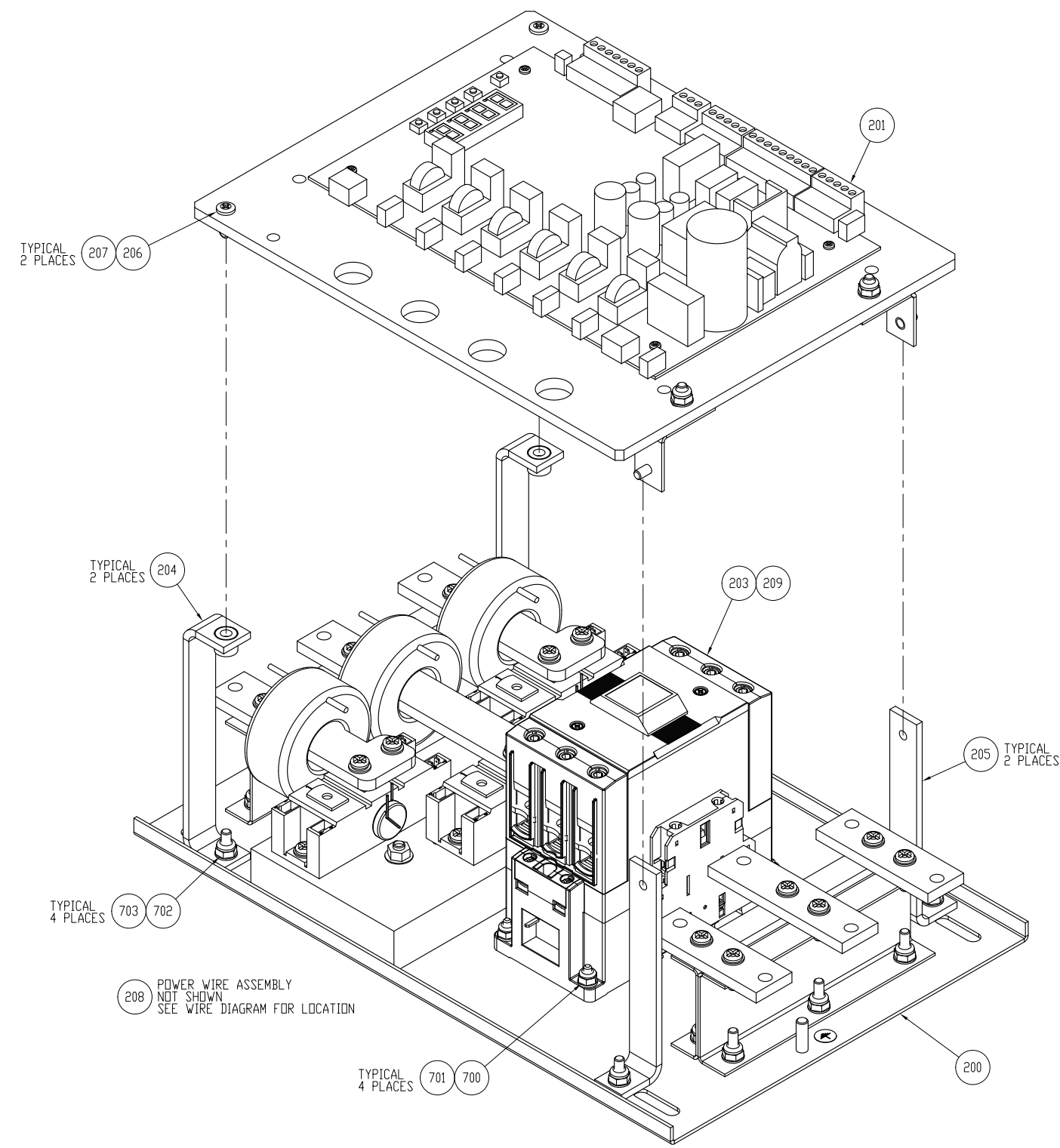


A  
B  
C  
D  
E  
F  
G  
H  
I  
J  
K  
L  
M  
N



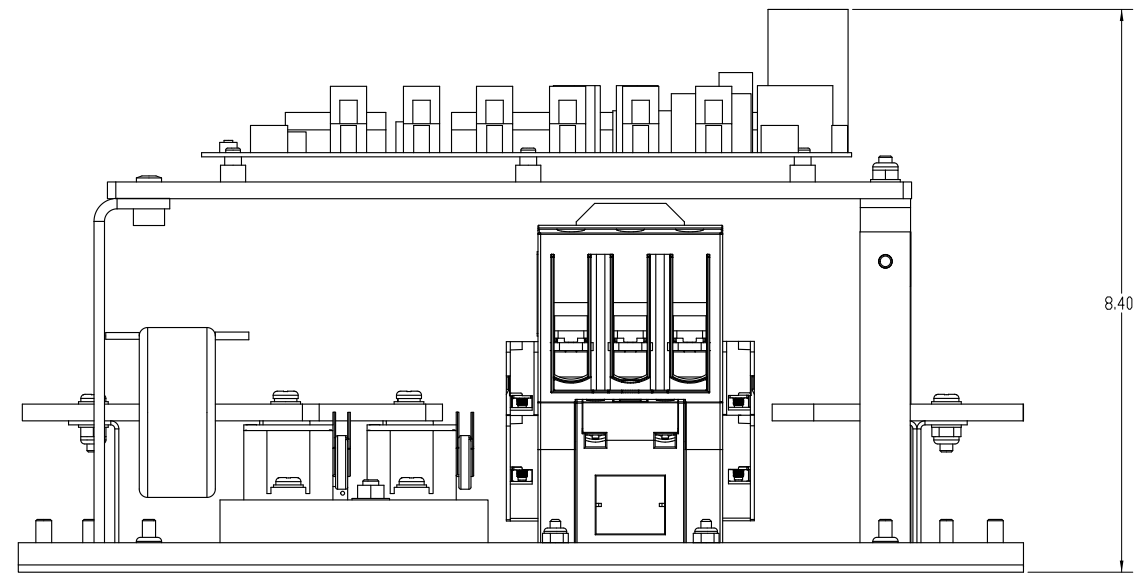
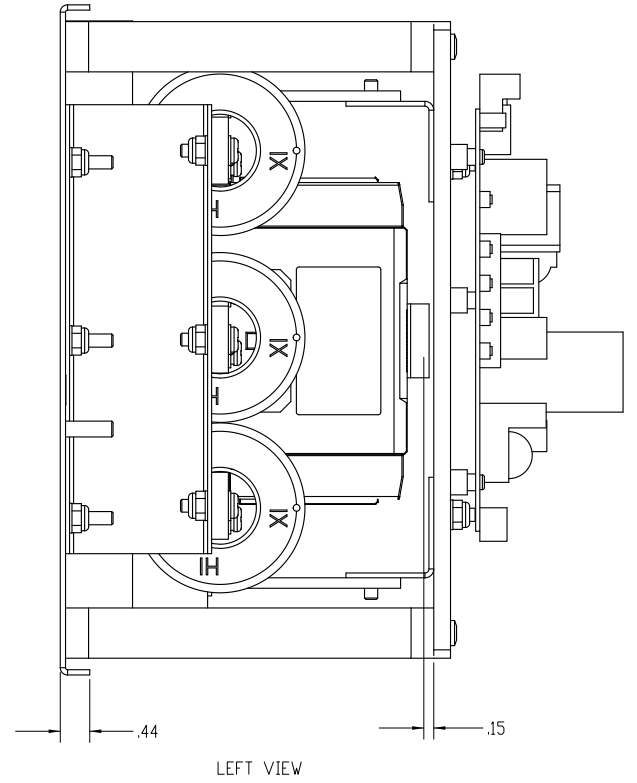
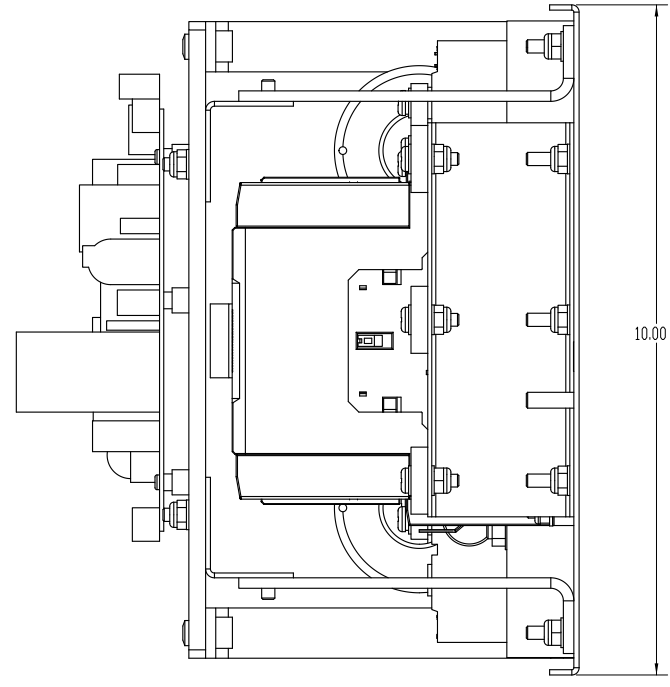
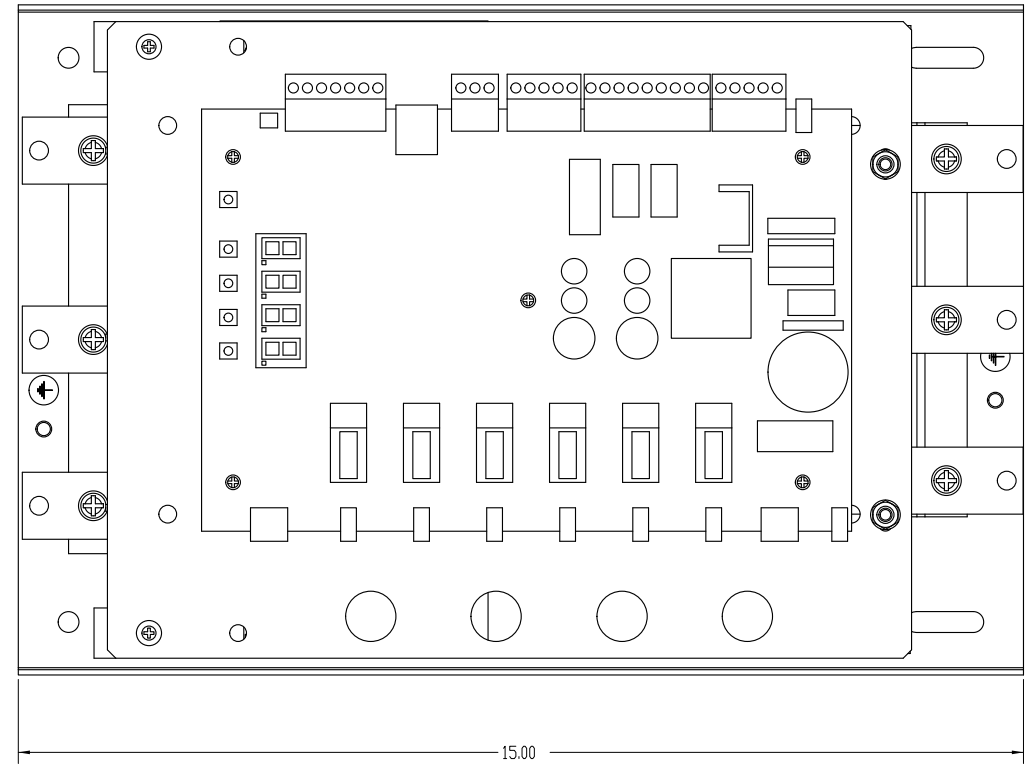
- NOTES:
- TIGHTEN ALL M4-0.7 SCREWS TO 3 Nm OR (2.2 FT LBS)  
TIGHTEN ALL M5-0.8 SCREWS TO 3.3 Nm OR (2.43 FT LBS)  
TIGHTEN ALL M6-1.0 BOLTS TO 6.77 Nm OR (5 FT LBS)

ECO: EC927 APR 11 2011 CHD: MJB 5/2/2012 DESCRIPTION: ADD PC CONTACT IN PLACE OF RSC PWS UPDATED ON DWG.	THIRD ANGLE PROJECTION	UNLESS OTHERWISE SPECIFIED ALL DIMENSION IN INCHES INTERPRET DRAWING PER ASME Y14.5M-1994 TOLERANCES: .XX ± .03 .XXX ± .015 ANGLES ± 1° MATERIAL: FINISH:	SIGNATURES DRWN: BER CHKD: JAF ENG: JAF MFG:	DATE 4/14/11 4/14/11 4/14/11	TITLE: RB2-1-S-096A-13C CHASSIS STANDARD FAULT 10KA MX2 96A DD/149A ID NORMAL 110A DD/171A ID 0115Z 600VAC	605 ALPINE DRIVE PETERSBURG, VA 23104 PHONE 435-240-0000 FAX 435-240-0001 WWW.BENSHAW.COM	SIZE D	DWG NO. CH-440134-00	REV 1
	THIS DRAWING AND ALL INFORMATION CONTAINED HEREIN IS THE PROPERTY OF BENSHAW INC. AND IS NOT TO BE REPRODUCED OR TRANSMITTED IN ANY FORM OR BY ANY MEANS, ELECTRONIC OR MECHANICAL, INCLUDING PHOTOCOPYING, RECORDING, OR BY ANY INFORMATION STORAGE AND RETRIEVAL SYSTEMS, WITHOUT THE EXPRESS WRITTEN CONSENT OF BENSHAW INC. CONVENIENCE OF THE USER AND SHALL BE RETURNED UPON REQUEST.		SCALE: 3/4:1	SHEET: 1 OF 2					

1 2 3 4 5 6 7 8 9 10 11 12 13 14 15 16 17 18 19 20 21 22 23 24 25 26 27 28

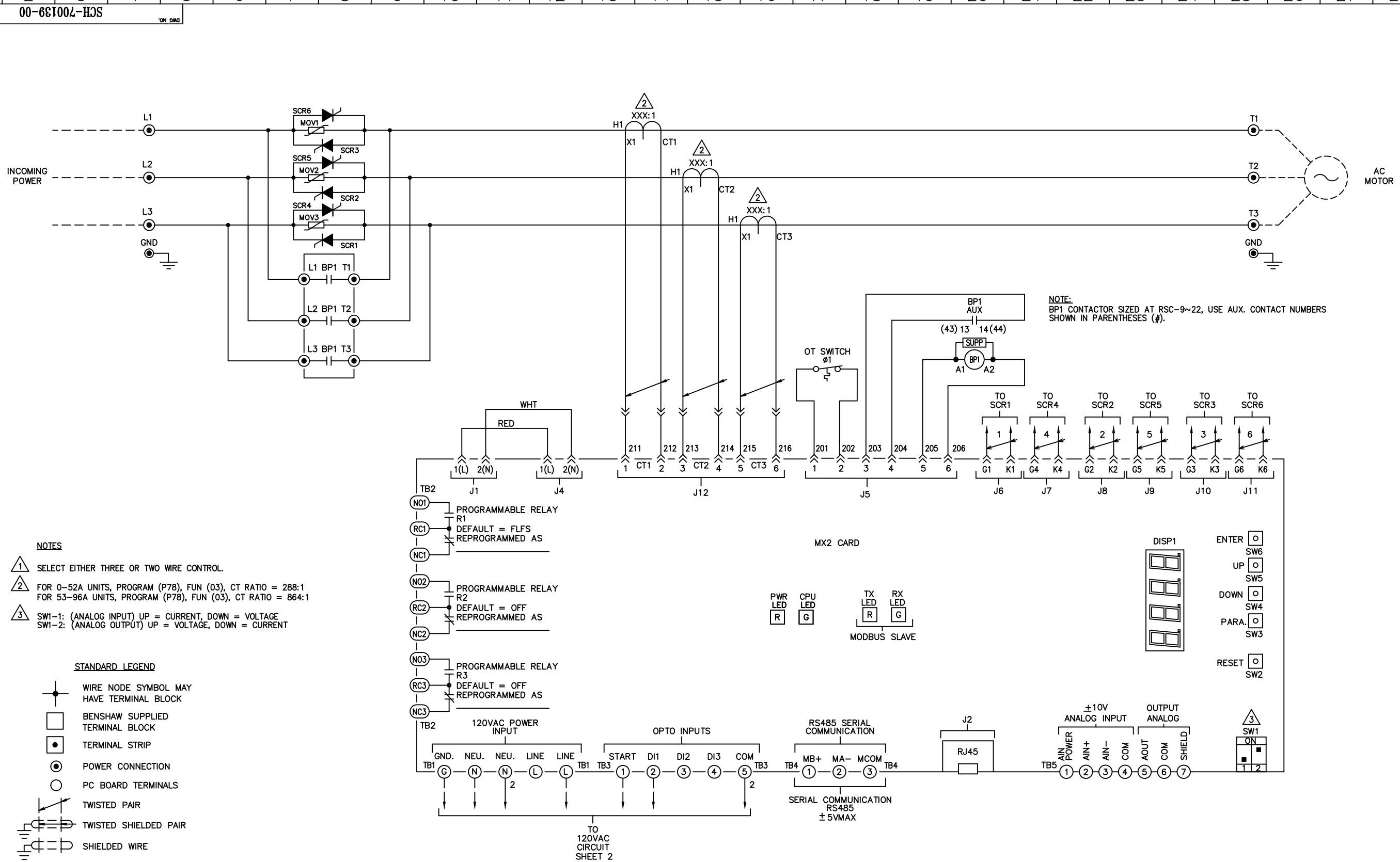
CH-440134-00

A  
B  
C  
D  
E  
F  
G  
H  
I  
J  
K  
L  
M  
N



DO NOT SCALE DIMS	THIRD ANGLE PROJECTION	UNLESS OTHERWISE SPECIFIED ALL DIMENSION IN INCHES INTERPRET DRAWING PER ASME Y14.5M-1994	SIGNATURES		DATE	TITLE: RB2-1-S-096A-13C CHASSIS STANDARD FAULT 10KA MX2 96A DD/149A ID NORMAL 110A DD/171A ID 0115% 600VAC	BENSHAW <small>605 ALPINE DRIVE PETERSBURG, VA 20129 PHONE 410-260-0200 500 BROAD ST. E. LEWISBURG, OHIO 44641 HW 303</small>	
	THIS DRAWING AND ALL INFORMATION CONTAINS HEREIN, IS THE PROPERTY OF BENSHAW INC., AND DIVULGED TO UNAUTHORIZED PERSONS WITHOUT THE EXPRESS WRITTEN CONSENT OF BENSHAW INC. CONVENIENCE OF THE USER AND SHALL BE RETURNED UPON REQUEST.		TOLERANCES:	XX ± .03	DRWN. BER			4/14/11
				XXX ± .015	CHKD. JAF			4/14/11
				ANGLES ± 1°	ENG. JAF			4/14/11
	MATERIAL:		MFG.			SIZE D	DWG NO. CH-440134-00	REV 1
	FINISH:					SCALE: 3/4:1	SHEET: 2 OF 2	

1 2 3 4 5 6 7 8 9 10 11 12 13 14 15 16 17 18 19 20 21 22 23 24 25 26 27 28



- NOTES**
- 1 SELECT EITHER THREE OR TWO WIRE CONTROL.
  - 2 FOR 0-52A UNITS, PROGRAM (P78), FUN (03), CT RATIO = 288:1  
FOR 53-96A UNITS, PROGRAM (P78), FUN (03), CT RATIO = 864:1
  - 3 SW1-1: (ANALOG INPUT) UP = CURRENT, DOWN = VOLTAGE  
SW1-2: (ANALOG OUTPUT) UP = VOLTAGE, DOWN = CURRENT

- STANDARD LEGEND**
- WIRE NODE SYMBOL MAY HAVE TERMINAL BLOCK
  - BENSHAW SUPPLIED TERMINAL BLOCK
  - TERMINAL STRIP
  - POWER CONNECTION
  - PC BOARD TERMINALS
  - TWISTED PAIR
  - TWISTED SHIELDED PAIR
  - SHIELDED WIRE
  - FIELD WIRING




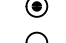
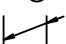
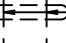
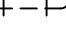


REVISIONS DO NOT SCALE DWG	THIRD ANGLE PROJECTION	UNLESS OTHERWISE SPECIFIED ALL DIMENSIONS IN INCHES INTERPRET DRAWING PER ASME Y14.5M-1994 TOLERANCES: .XX ± .03 .XXX ± .015 ANGLES ± 1° MATERIAL: FINISH:	<b>TITLE:</b> MASTER POWER SCHEMATIC RB2, W/MX2 CONTROL FOR: 0-96A CHASSIS	SIGNATURES DRWN: JMD 1/2/2008 ENG: MSN 1/2/2008 MFG: SIZE: D DWG NO.:	<b>BENSHAW</b> 815 ALPHA DRIVE PITTSBURGH, PA 15238 550 BRIGHT STREET LISTONEL, ONTARIO M4W 3W3			
	THIS DRAWING AND ALL INFORMATION CONTAINED HEREIN, IS THE PROPERTY OF BENSHAW INC., AND MAY NOT BE REPRODUCED, OR DIVULGED TO UNAUTHORIZED PERSONS WITHOUT THE EXPRESS WRITTEN CONSENT OF BENSHAW INC. IT IS PROVIDED SOLELY FOR THE CONVENIENCE OF THE USER AND SHALL BE RETURNED UPON REQUEST.			SCALE: 1:1		REV <b>0</b>		
	TO 120VAC CIRCUIT SHEET 2			SERIAL COMMUNICATION RS485 ± 5VMAX		OUTPUT ANALOG	SCH-700139-00	
	TO 120VAC POWER INPUT			SERIAL COMMUNICATION RS485 ± 5VMAX		ANALOG INPUT ± 10V	SHEET 1 OF 2	

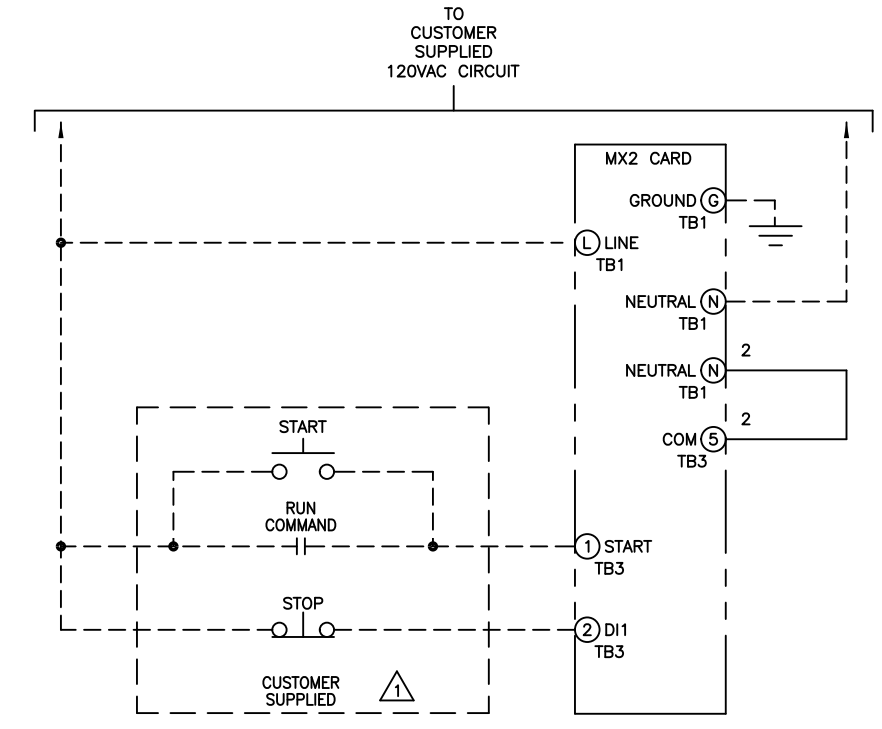
1 2 3 4 5 6 7 8 9 10 11 12 13 14 15 16 17 18 19 20 21 22 23 24 25 26 27 28

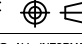

A  
B  
C  
D  
E  
F  
G  
H  
I  
J  
K  
L  
M  
N

00-661004-HJS  
ON DIM

**STANDARD LEGEND**

-  WIRE NODE SYMBOL MAY HAVE TERMINAL BLOCK
-  BENSRAW SUPPLIED TERMINAL BLOCK
-  TERMINAL STRIP
-  POWER CONNECTION
-  PC BOARD TERMINALS
-  TWISTED PAIR
-  TWISTED SHIELDED PAIR
-  SHIELDED WIRE
-  FIELD WIRING



REVISIONS DO NOT SCALE DWG	THIRD ANGLE PROJECTION 	UNLESS OTHERWISE SPECIFIED ALL DIMENSIONS IN INCHES INTERPRET DRAWING PER ASME Y14.5M-1994 TOLERANCES: .XX ± .03 .XXX ± .015 ANGLES ± 1°	<b>TITLE:</b> MASTER CONTROL SCHEMATIC RB2, W/MX2 CONTROL FOR: 0-96A CHASSIS	SIGNATURES: _____ DATE: 1/2/2006	 <b>BENSRAW</b> 815 ALPHA DRIVE PITTSBURGH, PA. 15238 550 BRIGHT STREET LISTONEL, ONTARIO M4W 3W3	
	THIS DRAWING AND ALL INFORMATION CONTAINED HEREIN, IS THE PROPERTY OF BENSRAW INC., AND MAY NOT BE REPRODUCED, OR DIVULGED TO UNAUTHORIZED PERSONS WITHOUT THE EXPRESS WRITTEN CONSENT OF BENSRAW INC. IT IS PROVIDED SOLELY FOR THE CONVENIENCE OF THE USER AND SHALL BE RETURNED UPON REQUEST.	MATERIAL: _____ FINISH: _____		DRWN: JMD 1/2/2006 ENG: MSN 1/2/2006 MFG: _____ SIZE: D DWG NO.		
				SCALE: 1:1		REV: 0
				SCH-700139-00		SHEET 2 OF 2