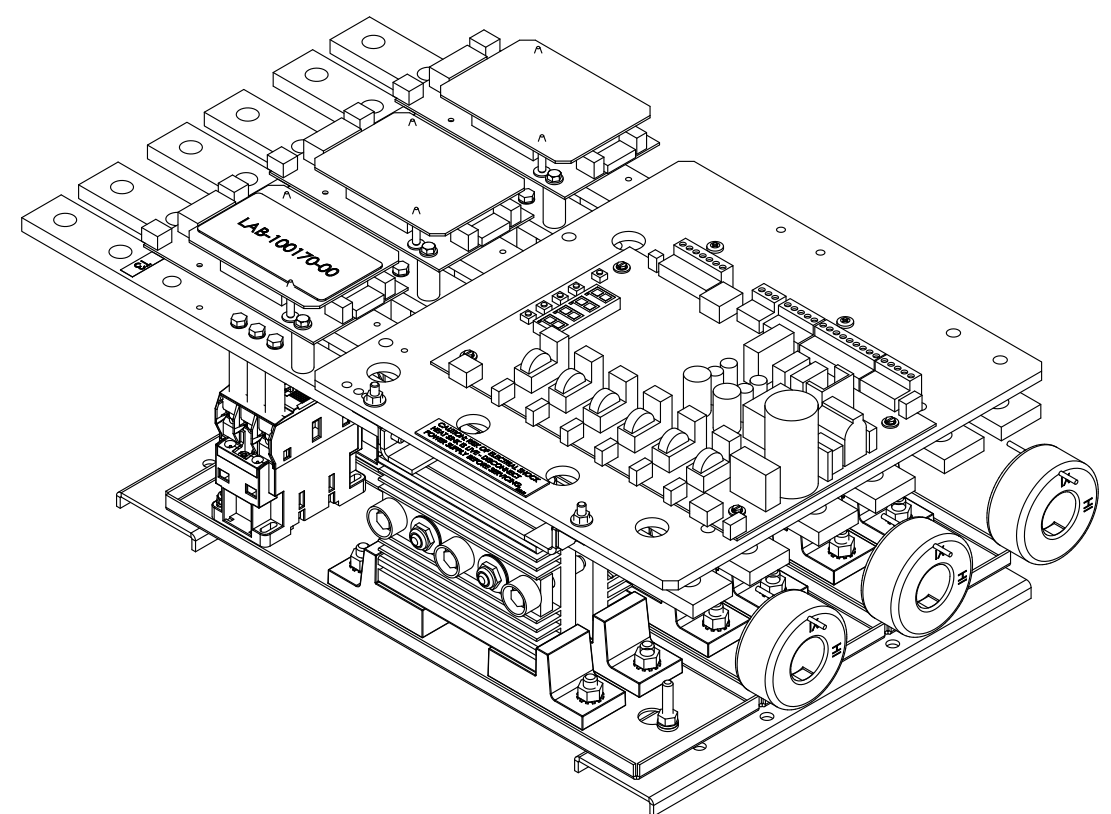
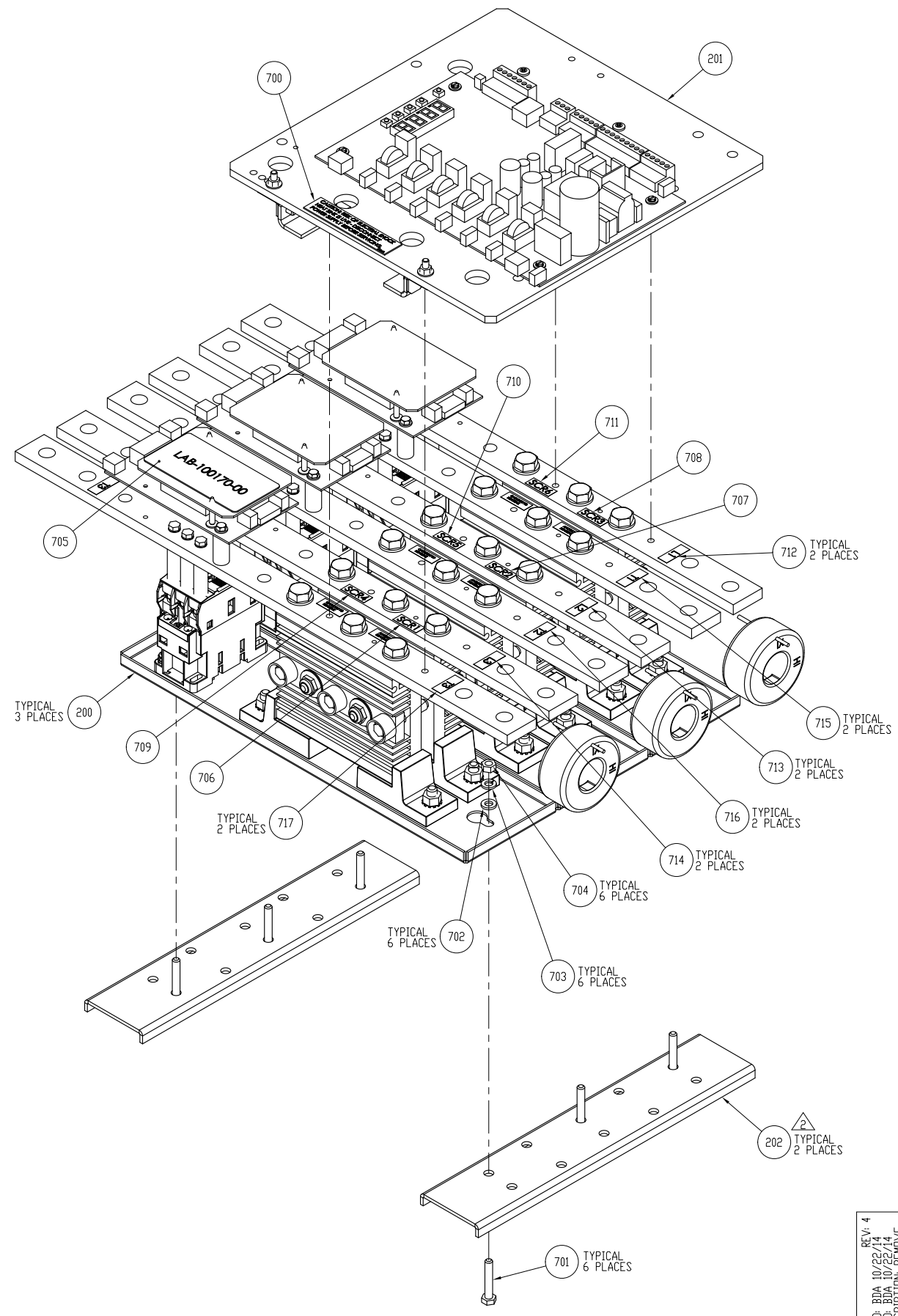


A  
B  
C  
D  
E  
F  
G  
H  
I  
J  
K  
L  
M  
N

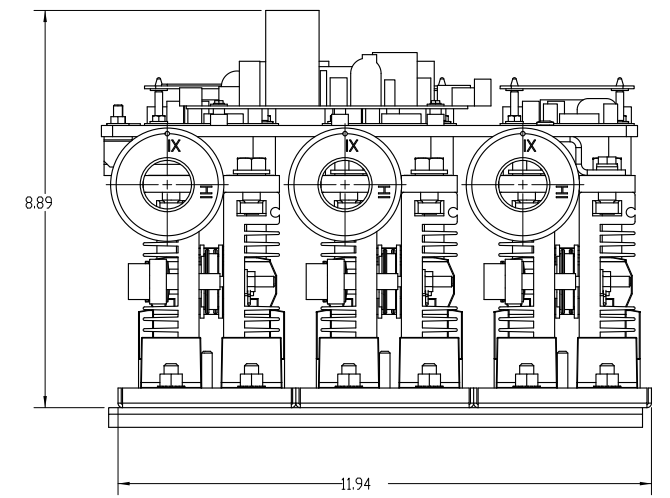
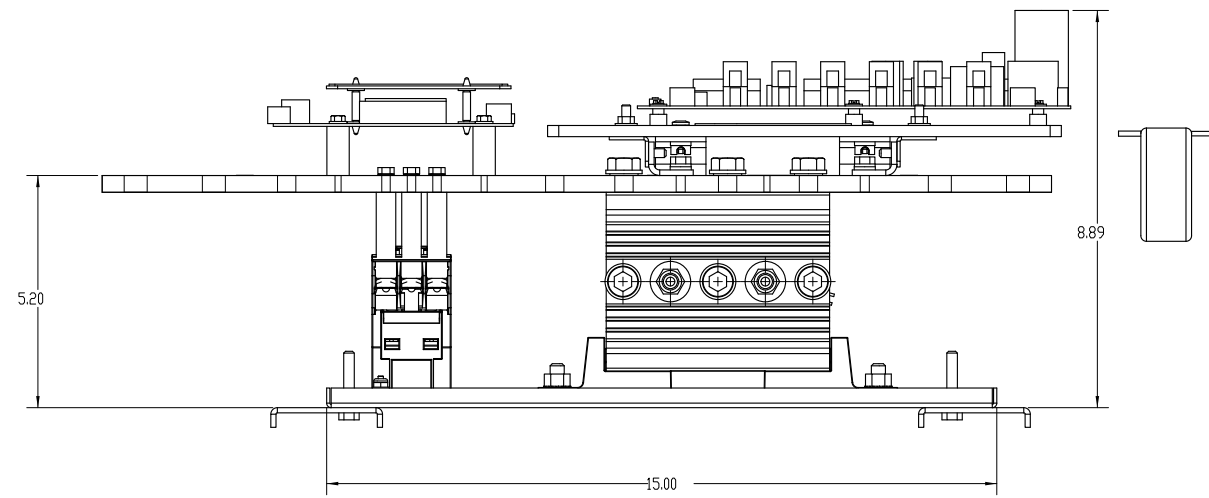
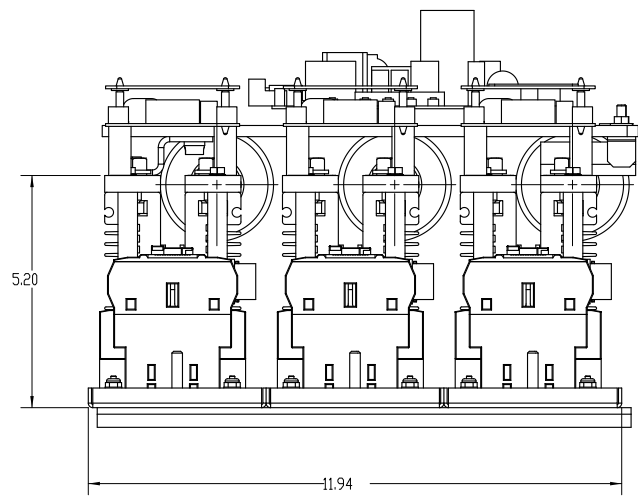
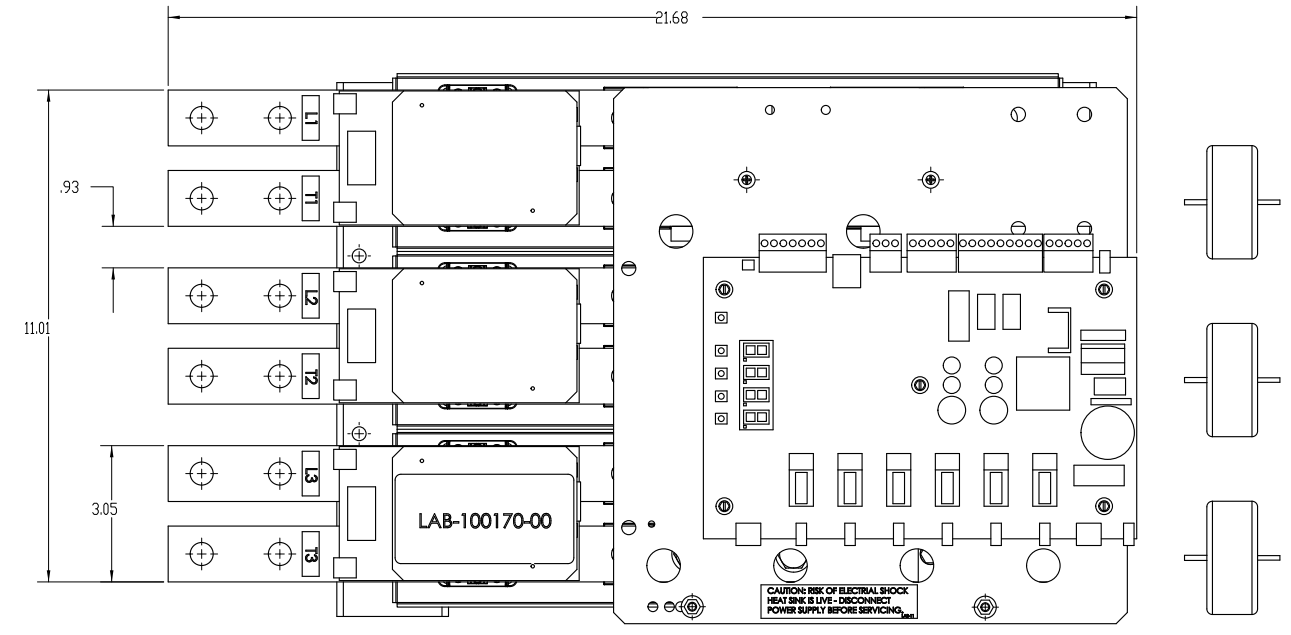


- NOTES:
- TIGHTEN M6-1.00 BOLTS TO 6.77 Nm (5 FT LBS).
  - ITEM 202 WILL BE REMOVED FROM THE CHASSIS WHEN THE STARTER IS MOUNTED DIRECTLY TO A SUBPANEL OF A ENCLOSURE. HARDWARE WILL BE DISCARDED.
  - ITEM 203 THRU 208 ARE NOT SHOWN.

REV: 4 APPD: RBA 10/22/14 CHGD: RBA 10/25/14 DESCRIPTION: REMOVE NEG QTY ITEMS FROM BOM	REV: 2 APPD: MSN 6/29/2012 CHGD: JBP 6/29/2012 DESCRIPTION: UPDATE DRAWING TO AGREE WITH POWER SECTION ASSEMBLY.	REV: 1 APPD: MSN 5/2/2012 CHGD: JBP 5/2/2012 DESCRIPTION: UPDATE DRAWING TO AGREE WITH POWER SECTION ASSEMBLY.	THIRD ANGLE PROJECTION	UNLESS OTHERWISE SPECIFIED ALL DIMENSION IN INCHES INTERPRET DRAWING PER ASME Y14.5M-1994	SIGNATURES DRWN. BER CHKD. JAF ENG. JAF MFG.	DATE 4/14/11 4/14/11 4/14/11	TITLE: RB2-1-S-125A-14C CHASSIS STANDARD FAULT 18KA MX2 125A OD/180A ID NOMINAL 144A OD/207A ID @115% 600VAC	65 ALPINE DRIVE PETERBOROUGH, PA 15201 PHONE 412-242-0200 500 BRUSH ST. E. LITTLETON, COLORADO 80120	SIZE D	DWG NO. CH-440135-00	REV 4
			THIS DRAWING AND ALL INFORMATION CONTAINS HEREIN IS THE PROPERTY OF BENSHAW INC. AND IS NOT TO BE REPRODUCED OR TRANSMITTED IN ANY FORM OR BY ANY MEANS, ELECTRONIC OR MECHANICAL, INCLUDING PHOTOCOPYING, RECORDING, OR BY ANY INFORMATION STORAGE AND RETRIEVAL SYSTEM, WITHOUT THE EXPRESS WRITTEN CONSENT OF BENSHAW INC. CONVENIENCE OF THE USER AND SHALL BE RETURNED UPON REQUEST.	TOLERANCES: X ± 1/8 XX ± .03 XXX ± .015	FINISH	SCALE: 1/2"=1"			SHEET: 1 OF 2		

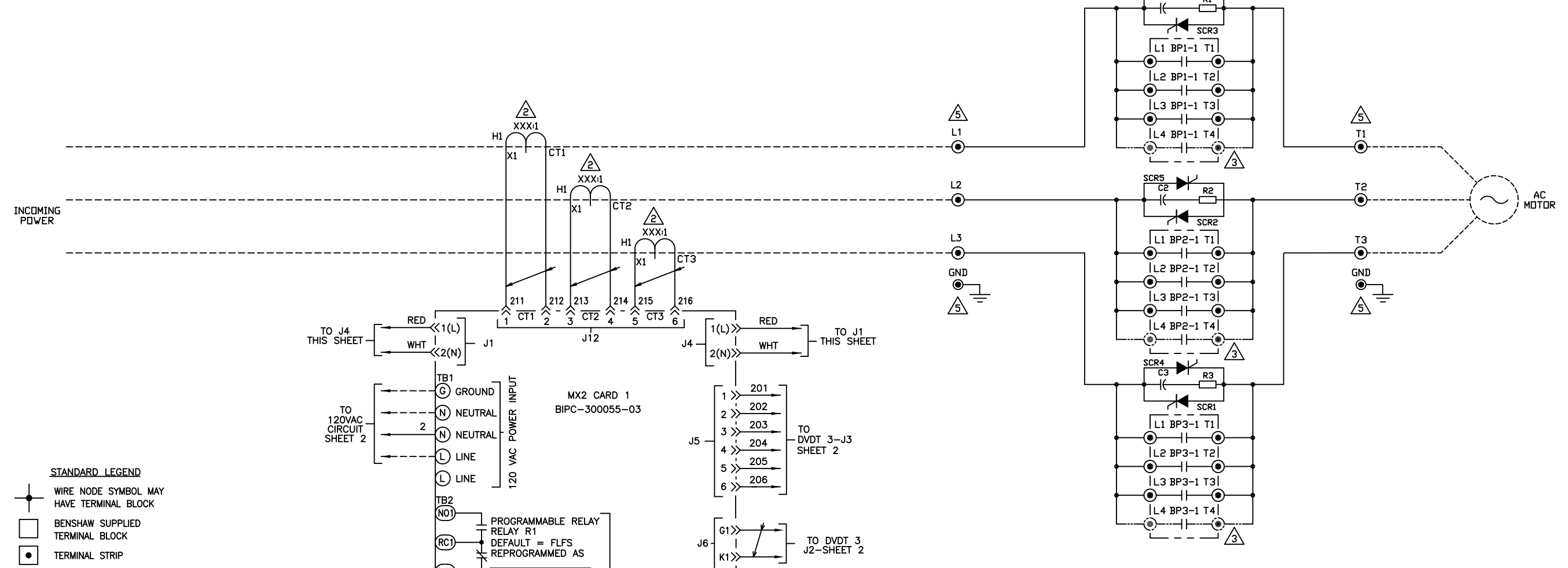
CH-440135-00

A  
B  
C  
D  
E  
F  
G  
H  
I  
J  
K  
L  
M  
N

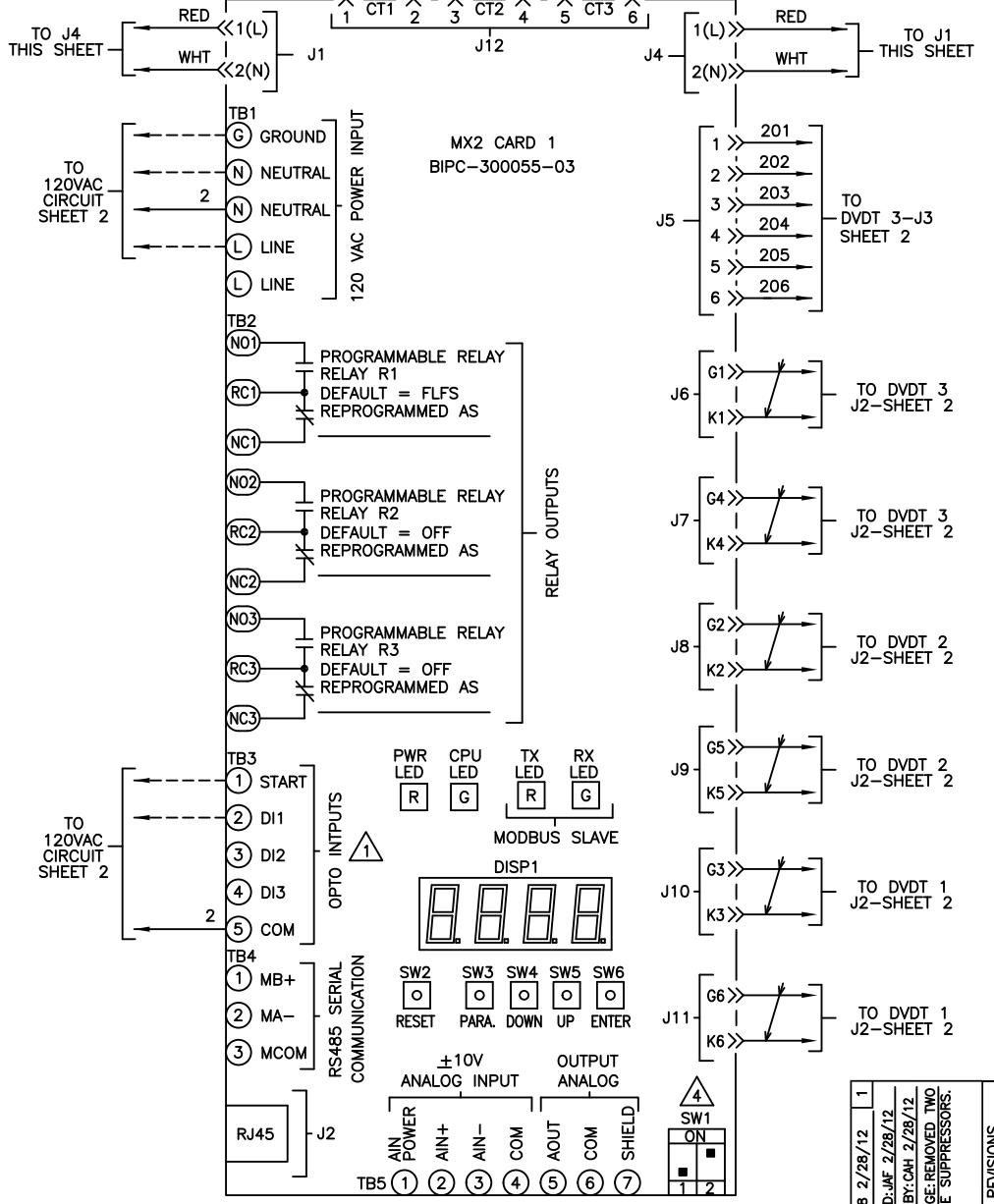


DO NOT SCALE DWG	THIRD ANGLE PROJECTION	UNLESS OTHERWISE SPECIFIED ALL DIMENSION IN INCHES INTERPRET DRAWING PER ASME Y14.5M-1994 TOLERANCES: X ± 1/8 ANGLES ± 1° XX ± .03 XXX ± .015 MATERIAL: FINISH:	SIGNATURES	DATE	TITLE: RB2-1-S-125A-14C CHASSIS STANDARD FAULT 18KA MX2 125A OD/180A ID NOMINAL 144A OD/207A ID ±115% 600VAC	65 ALLEN DRIVE PETERSBURG, VA 23109 PHONE 1-800-949-0000 500 BROAD ST. E. LITTLETON, COLORADO 80120	
	THIS DRAWING AND ALL INFORMATION CONTAINS HEREIN, IS THE PROPERTY OF BENSHAW INC., AND DIVULGED TO UNAUTHORIZED PERSONS WITHOUT THE EXPRESS WRITTEN CONSENT OF BENSHAW INC. CONVENIENCE OF THE USER AND SHALL BE RETURNED UPON REQUEST.		DRWN. BER	4/14/11			
			CHKD. JAF	4/14/11			
			ENG. JAF	4/14/11			
		MFG.			SIZE D DWG NO. CH-440135-00 SCALE: 1/24 SHEET: 2 OF 2	REV 4	

10-661004-HJS  
ON DIM



- STANDARD LEGEND**
- WIRE NODE SYMBOL MAY HAVE TERMINAL BLOCK
  - BENSRAW SUPPLIED TERMINAL BLOCK
  - TERMINAL STRIP
  - POWER CONNECTION
  - PC BOARD TERMINALS
  - TWISTED PAIR
  - TWISTED SHIELDED PAIR
  - SHIELDED WIRE
  - FIELD WIRING



**CHART 1**

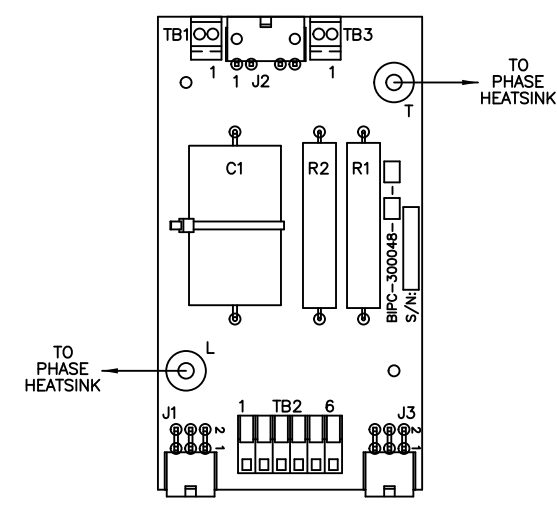
TIGHTENING TORQUE SPECIFICATIONS FOR SOCKET HEAD SCREWS

SOCKET SIZE ACROSS FLATS (INCHES)	TORQUE POUNDS-INCHES
1/4	200
5/16	275
3/8	375
1/2	500

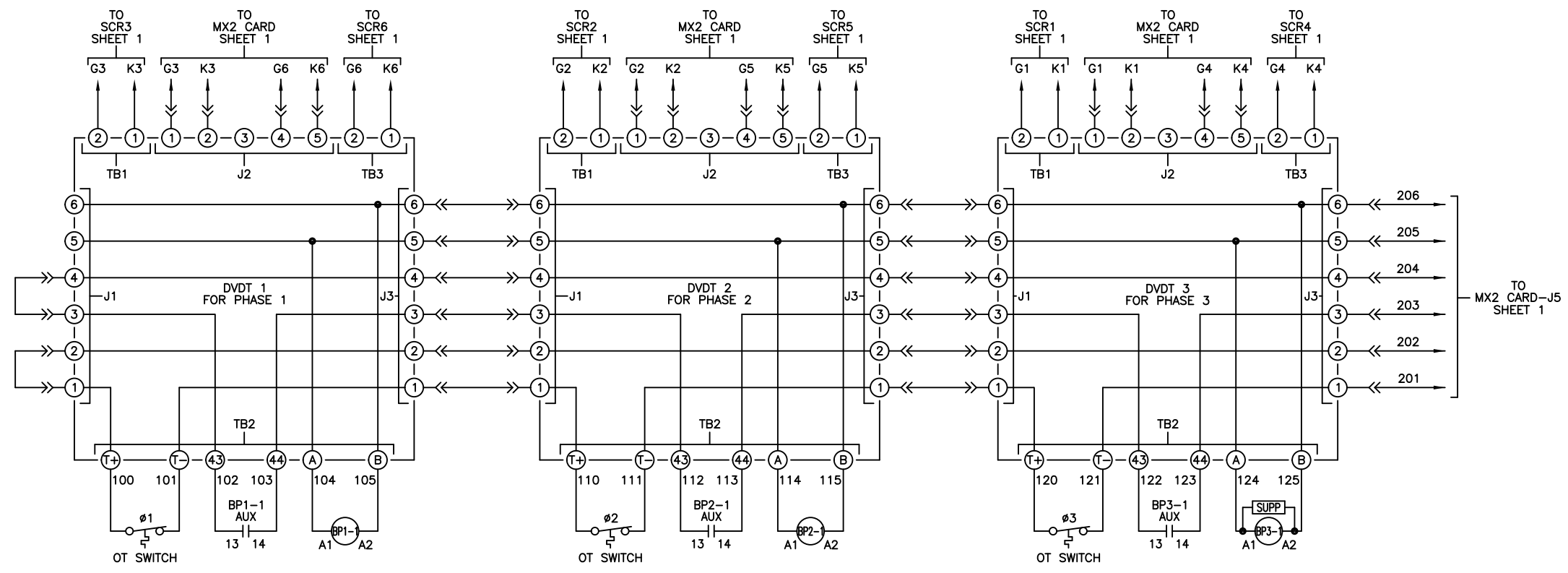
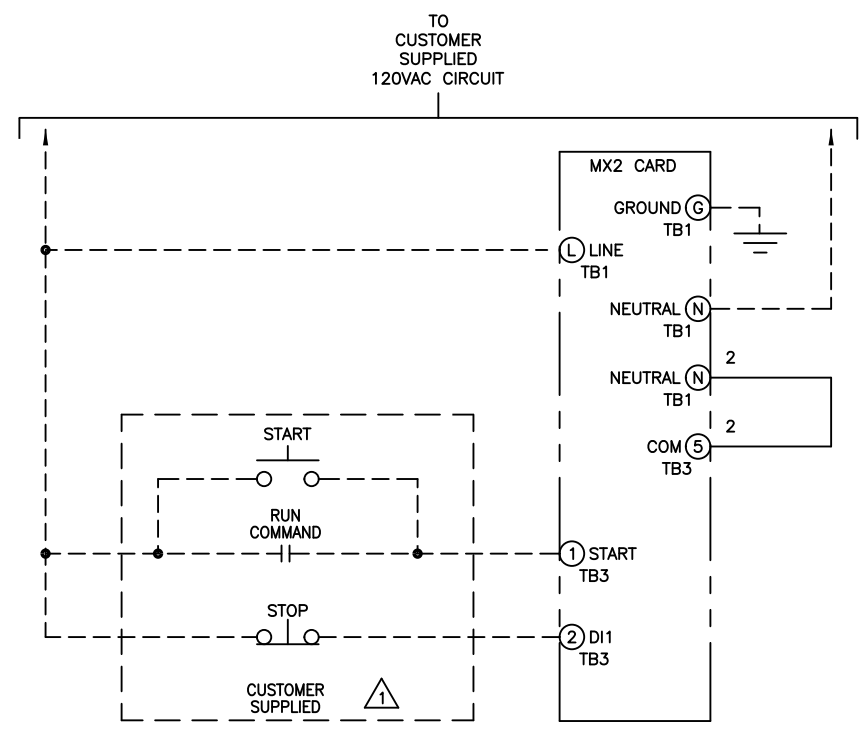
- NOTES:**
- ① SELECT EITHER THREE OR TWO WIRE CONTROL.
  - ② FOR 97-156A UNITS, PROGRAM (P78), FUN (03), CT RATIO = 864:1  
FOR 157-361A UNITS, PROGRAM (P78), FUN (03), CT RATIO = 2640:1
  - ③ L4/T4 CONTACTOR POLE IS ONLY ON 361A UNITS
  - ④ SW1-1: (ANALOG INPUT) UP = CURRENT, DOWN = VOLTAGE  
SW1-2: (ANALOG OUTPUT) UP = VOLTAGE, DOWN = CURRENT
  - ⑤ TIGHTEN POWER AND GROUND LUG FIELD WIRING CONNECTIONS TO CHART 1 SPECIFICATIONS. IF BREAKER IS SUPPLIED ON LINE SIDE OF STACK USE TORQUE VALUES ON BREAKER.

1 E3488 2/28/12 APPR'D: JAF 2/28/12 CHG BY: CAH 2/28/12 CHANGE REMOVED TWO SURGE SUPPRESSORS.	REVISIONS DO NOT SCALE DWG	THIRD ANGLE PROJECTION THIS DRAWING AND ALL INFORMATION CONTAINED HEREIN, IS THE PROPERTY OF BENSRAW INC., AND MAY NOT BE REPRODUCED, OR DIVULGED TO UNAUTHORIZED PERSONS WITHOUT THE EXPRESS WRITTEN CONSENT OF BENSRAW INC. IT IS PROVIDED SOLELY FOR THE CONVENIENCE OF THE USER AND SHALL BE RETURNED UPON REQUEST.	UNLESS OTHERWISE SPECIFIED ALL DIMENSIONS IN INCHES INTERPRET DRAWING PER ASME Y14.5M-1994 TOLERANCES: .XX ± .03 .XXX ± .015 ANGLES ± 1°	TITLE: MASTER POWER SCHEMATIC RB2, W/MX2 CONTROL FOR: 97-361A CHASSIS	SIGNATURES: JMD 1/2/2008 DATE: 1/2/2008
					ENG: MSN 1/2/2008
					MFG: 1/2/2008
					SIZE: DWG NO.
BENSRAW 815 ALPHA DRIVE PITTSBURGH, PA 15238 550 BRIGHT STREET LISTONEL, ONTARIO M4W 3W3				SCALE: 1:1	REV 1 SHEET 1 OF 2

10-661004-HJS



- STANDARD LEGEND**
- WIRE NODE SYMBOL MAY HAVE TERMINAL BLOCK
  - BENSRAW SUPPLIED TERMINAL BLOCK
  - TERMINAL STRIP
  - POWER CONNECTION
  - PC BOARD TERMINALS
  - TWISTED PAIR
  - TWISTED SHIELDED PAIR
  - SHIELDED WIRE
  - FIELD WIRING



REVISIONS DO NOT SCALE DWG	THIRD ANGLE PROJECTION	UNLESS OTHERWISE SPECIFIED ALL DIMENSIONS IN INCHES INTERPRET DRAWING PER ASME Y14.5M-1994 TOLERANCES: .XX ± .03 .XXX ± .015 ANGLES ± 1° MATERIAL: FINISH:	<b>TITLE:</b> MASTER CONTROL SCHEMATIC RB2, W/MX2 CONTROL FOR: 97-361A CHASSIS	SIGNATURES: _____ DATE: _____	815 ALPHA DRIVE PITTSBURGH, PA 15238 550 BRIGHT STREET LISTONEL, ONTARIO M4W 3N3	
	THIS DRAWING AND ALL INFORMATION CONTAINED HEREIN, IS THE PROPERTY OF BENSRAW INC., AND MAY NOT BE REPRODUCED, OR DIVULGED TO UNAUTHORIZED PERSONS WITHOUT THE EXPRESS WRITTEN CONSENT OF BENSRAW INC. IT IS PROVIDED SOLELY FOR THE CONVENIENCE OF THE USER AND SHALL BE RETURNED UPON REQUEST.			DRAWN: JMD 1/2/2008 CHKD: _____ ENGR: MSN 1/2/2008 MFD: _____ SIZE: D DWG NO. _____		REV 1
	SCALE: 1:1			SHEET 2 OF 2		
	SCH-700139-01			REV 1		