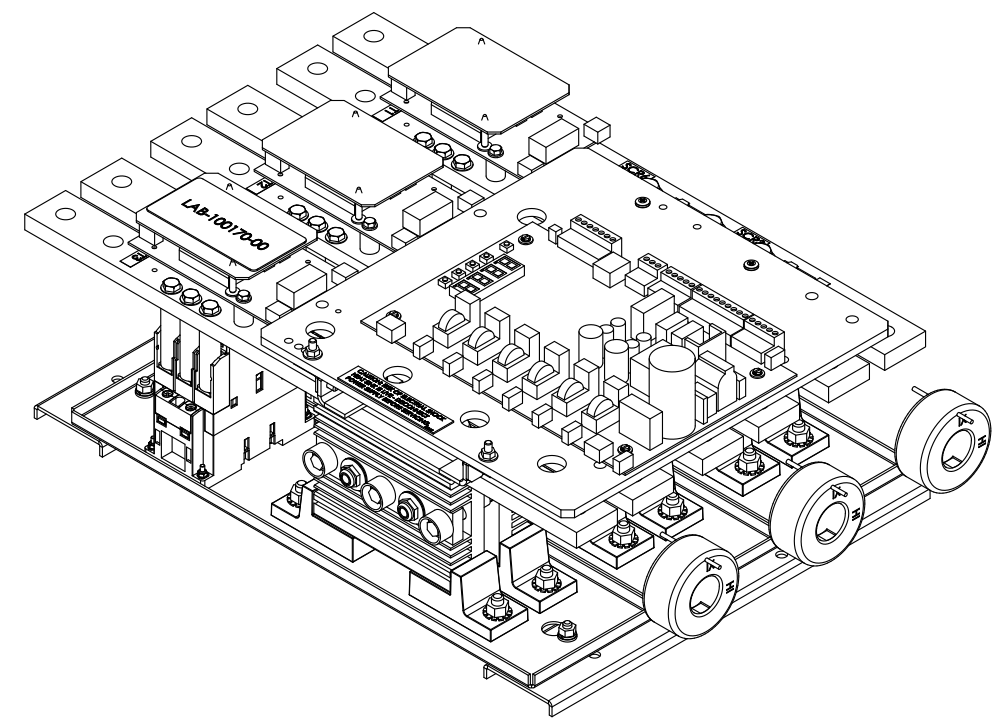
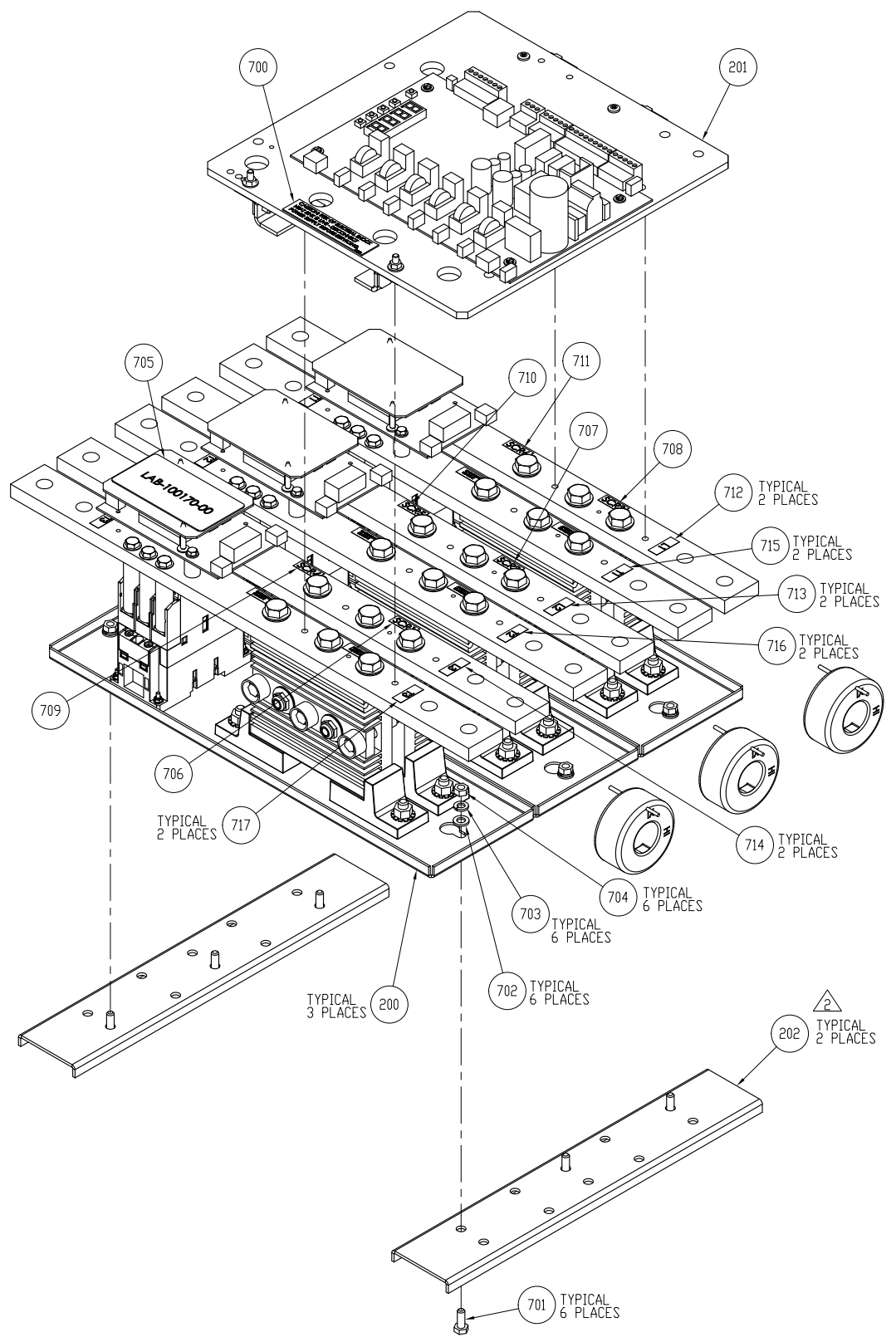


00-931077-H3  
ON DIM

A  
B  
C  
D  
E  
F  
G  
H  
I  
J  
K  
L  
M  
N



FULL ASSEMBLY

- NOTE:
- TIGHTEN M6-1.00 BOLTS TO 6.77 Nm OR (5FT LBS).
  - ITEM 202 WILL BE REMOVED FROM THE CHASSIS WHEN THE STARTER IS MOUNTED DIRECTLY TO A SUBPANEL OF A ENCLOSURE. HARDWARE WILL BE DISCARDED.
  - ITEMS 203 THRU 208 ARE NOT SHOWN.

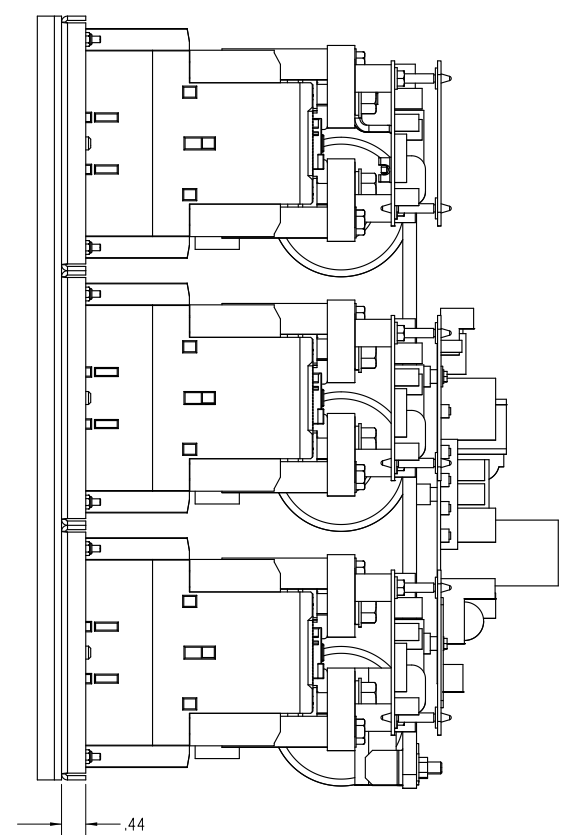
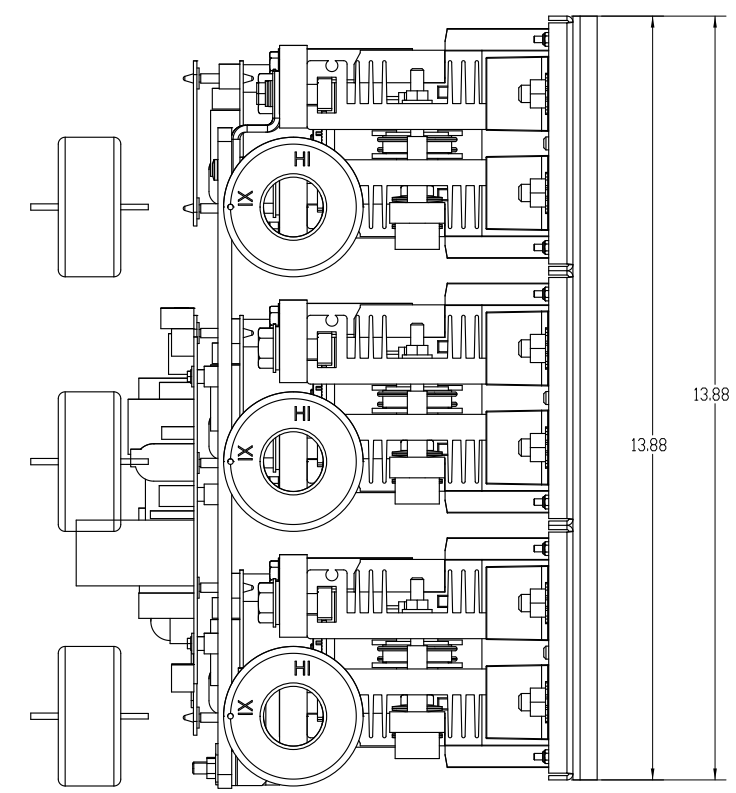
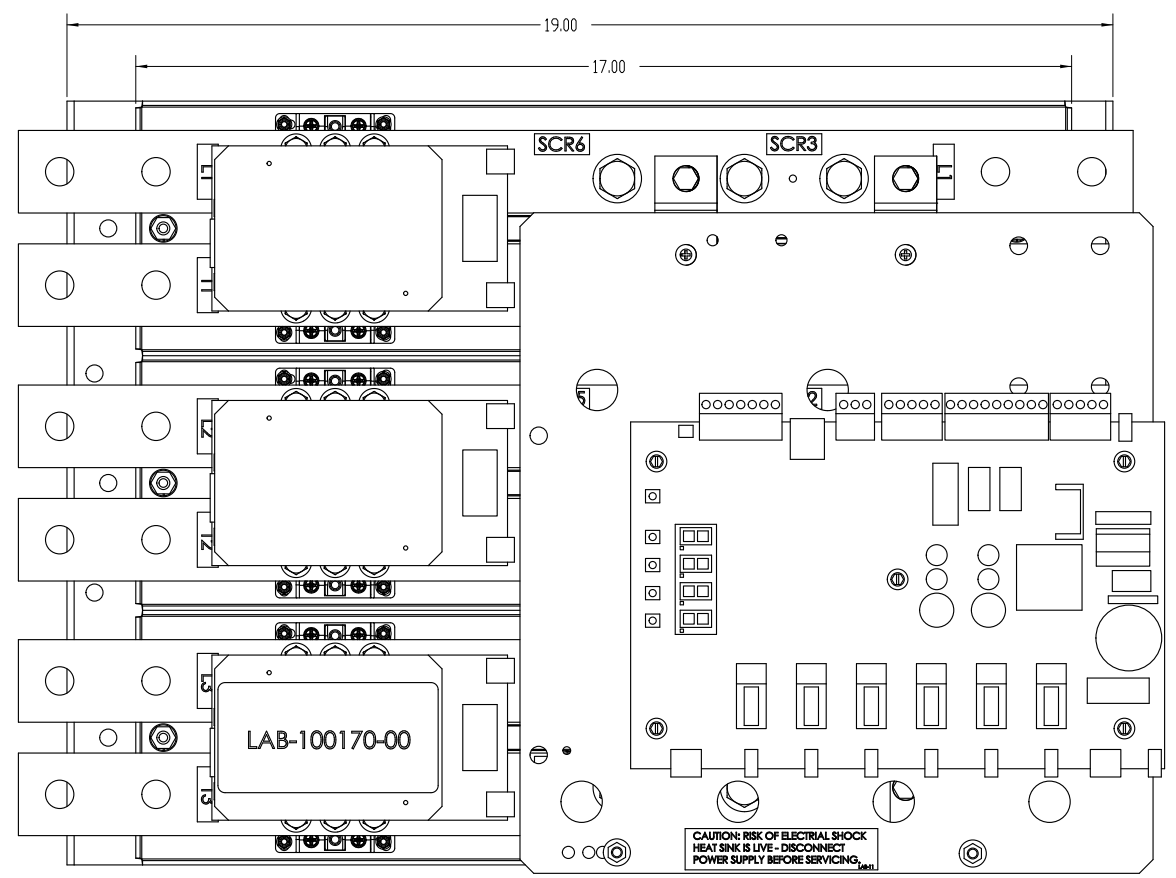
4 APPR'D: BDA 10/22/14 CHG BY: BDA 10/22/14 CHANGE: FIXED NEGATIVE QTY ON BOM E3527 APPR'D: MSK 5/3/2012 CHG BY: JEP 5/3/2012 CHANGE: ASS RC CONTACTOR IN PLACE OF RC SW'S UPDATED ON DWG.	1 REVISIONS DO NOT SCALE DWG	THIRD ANGLE PROJECTION	UNLESS OTHERWISE SPECIFIED ALL DIMENSIONS IN INCHES INTERPRET DRAWING PER ASME Y14.5M-1994 TOLERANCES: .XX ± .03 .XXX ± .015 ANGLES ± 1° MATERIAL: FINISH:	<b>TITLE:</b> RB2-1-S-156A-14C CHASSIS STANDARD FAULT 18KA MX2 156A OD/242A ID NORMAL 180A OD/266A ID @115% 600VAC	SIGNATURES DRWN: BER 4/14/11 CHD: JAF 4/14/11 ENG: JAF 4/14/11 MFD: SIZE: D DWG NO.	DATE 4/14/11 4/14/11 4/14/11	BENS HAW 815 ALPHA DRIVE PITTSBURGH, PA. 15238 550 BRIGHT STREET LISTOWEL, ONTARIO M4W 3W5	REV 4
		SCALE: 3/4:1			SHEET 1 OF 2			
		CH-440136-00						
		115%						

1 2 3 4 5 6 7 8 9 10 11 12 13 14 15 16 17 18 19 20 21 22 23 24 25 26 27 28

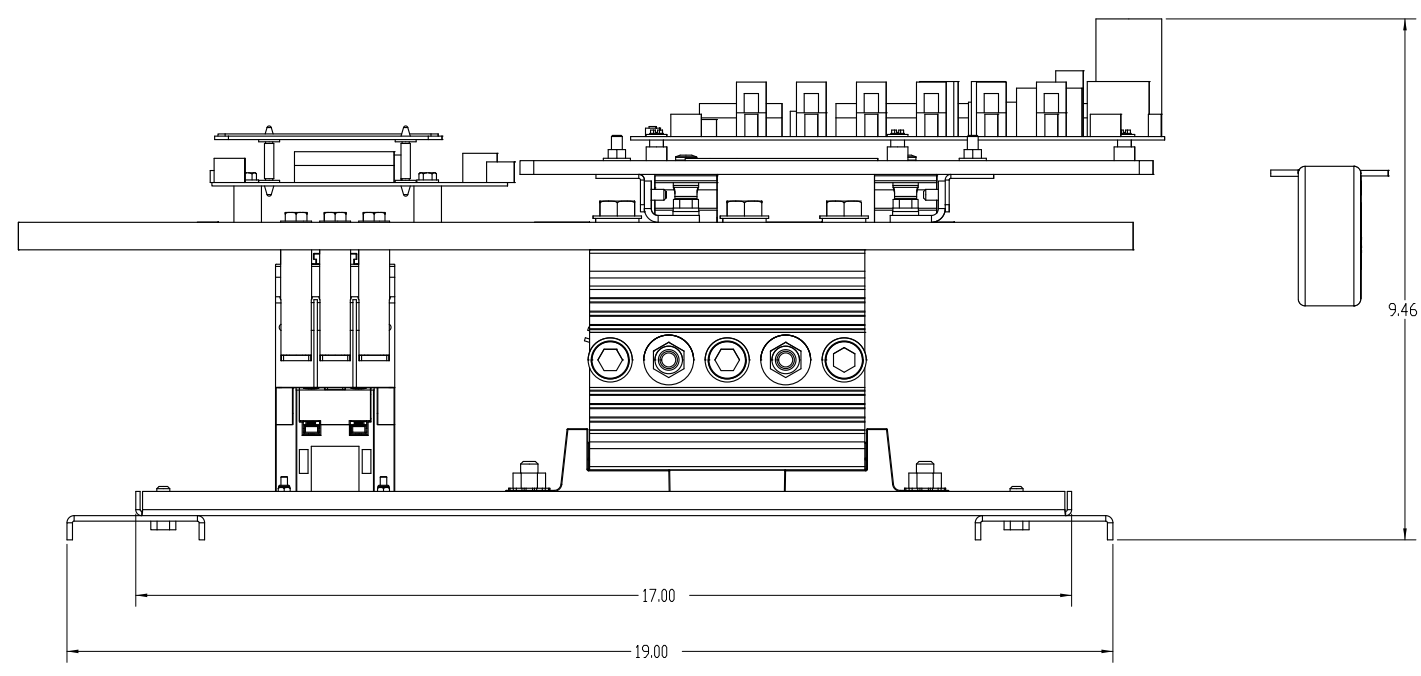
A  
B  
C  
D  
E  
F  
G  
H  
I  
J  
K  
L  
M  
N

CH-440136-00

ON DIM



LEFT VIEW

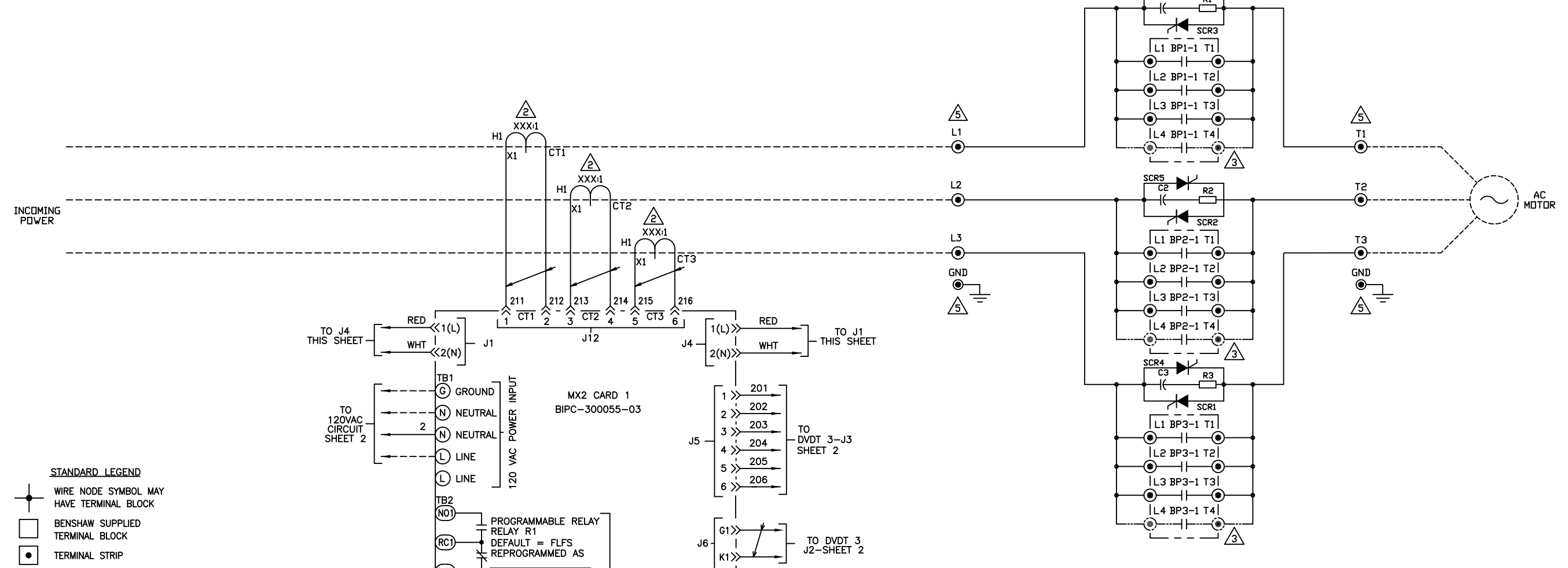


9.46

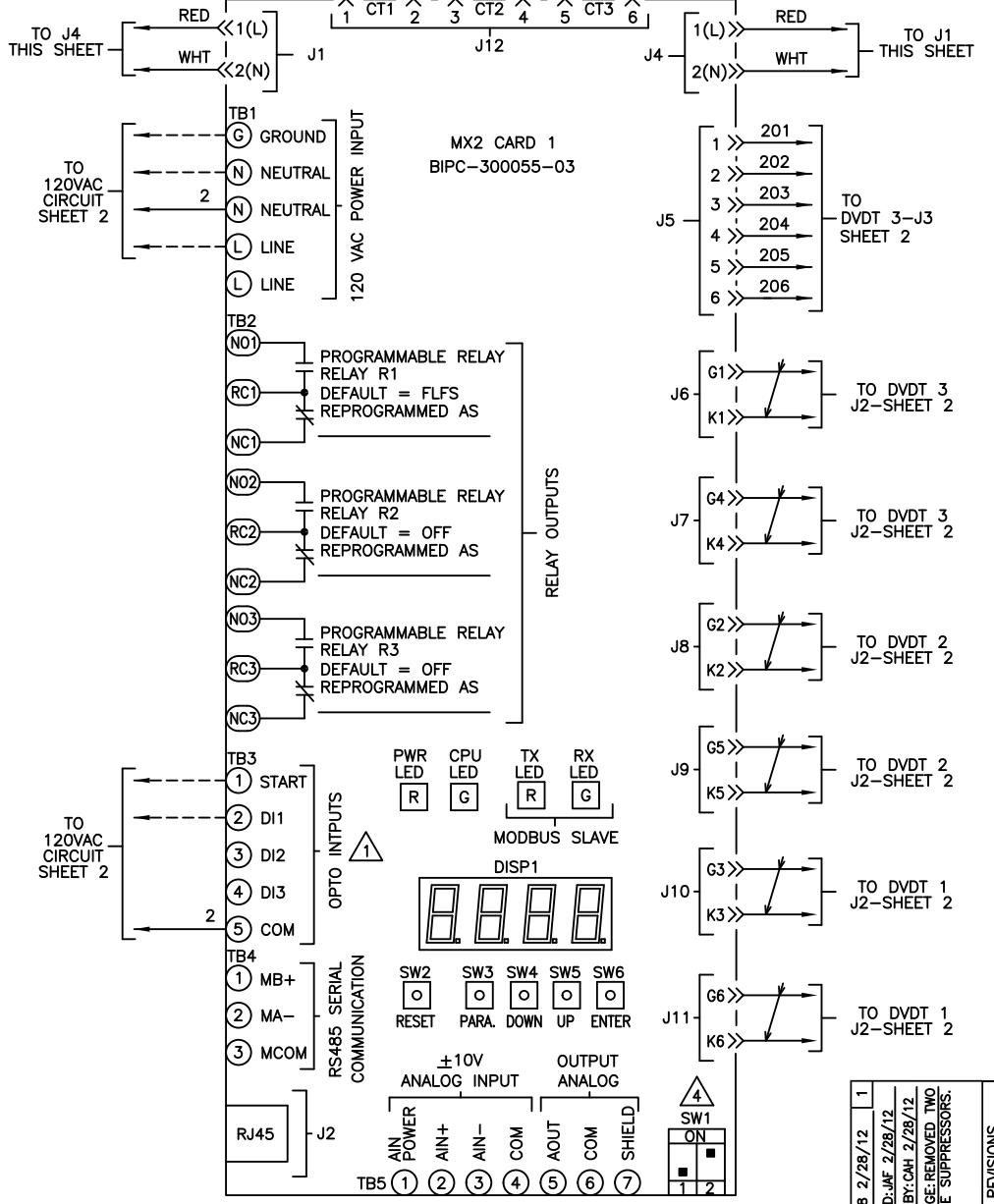
REVISIONS DO NOT SCALE DWG	THIRD ANGLE PROJECTION	UNLESS OTHERWISE SPECIFIED ALL DIMENSIONS IN INCHES INTERPRET DRAWING PER ASME Y14.5M-1994 TOLERANCES: .XX ± .03 .XXX ± .015 ANGLES ± 1° MATERIAL: FINISH:	<b>TITLE:</b> RB2-1-S-156A-14C CHASSIS STANDARD FAULT 18KA MX2 156A OD/242A ID NORMAL 180A OD/266A ID @115% 600VAC	SIGNATURES DRWN: BER ENG: JAF MFG: JAF	DATE 4/14/11 4/14/11 4/14/11		615 ALPHA DRIVE PITTSBURGH, PA. 15238 550 BRIGHT STREET LISTOWEL, ONTARIO M4W 3W5	REV 4			
	THIS DRAWING AND ALL INFORMATION CONTAINED HEREIN IS THE PROPERTY OF BENSHAW INC. AND MAY NOT BE REPRODUCED, OR DIVULGED TO UNAUTHORIZED PERSONS WITHOUT THE EXPRESS WRITTEN CONSENT OF BENSHAW INC. IT IS PROVIDED SOLELY FOR THE CONVENIENCE OF THE USER AND SHALL BE RETURNED UPON REQUEST.			SIZE D	DWG NO. CH-440136-00				SCALE: 5/8:1	SHEET 2 OF 2	

REVISIONS

10-661004-HJS  
ON DIM



- STANDARD LEGEND**
- WIRE NODE SYMBOL MAY HAVE TERMINAL BLOCK
  - BENSCHAW SUPPLIED TERMINAL BLOCK
  - TERMINAL STRIP
  - POWER CONNECTION
  - PC BOARD TERMINALS
  - TWISTED PAIR
  - TWISTED SHIELDED PAIR
  - SHIELDED WIRE
  - FIELD WIRING



**CHART 1**

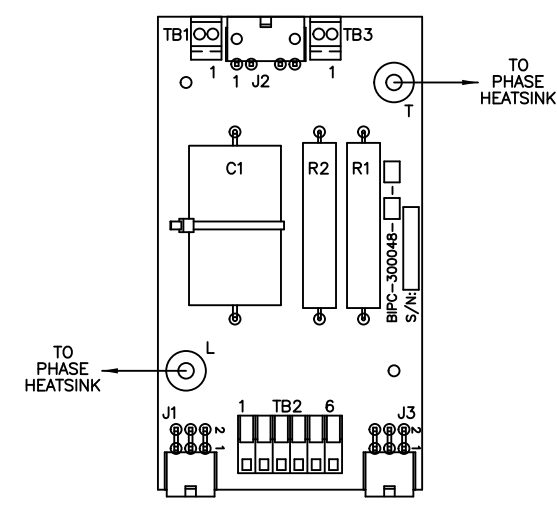
TIGHTENING TORQUE SPECIFICATIONS FOR SOCKET HEAD SCREWS

SOCKET SIZE ACROSS FLATS (INCHES)	TORQUE POUNDS-INCHES
1/4	200
5/16	275
3/8	375
1/2	500

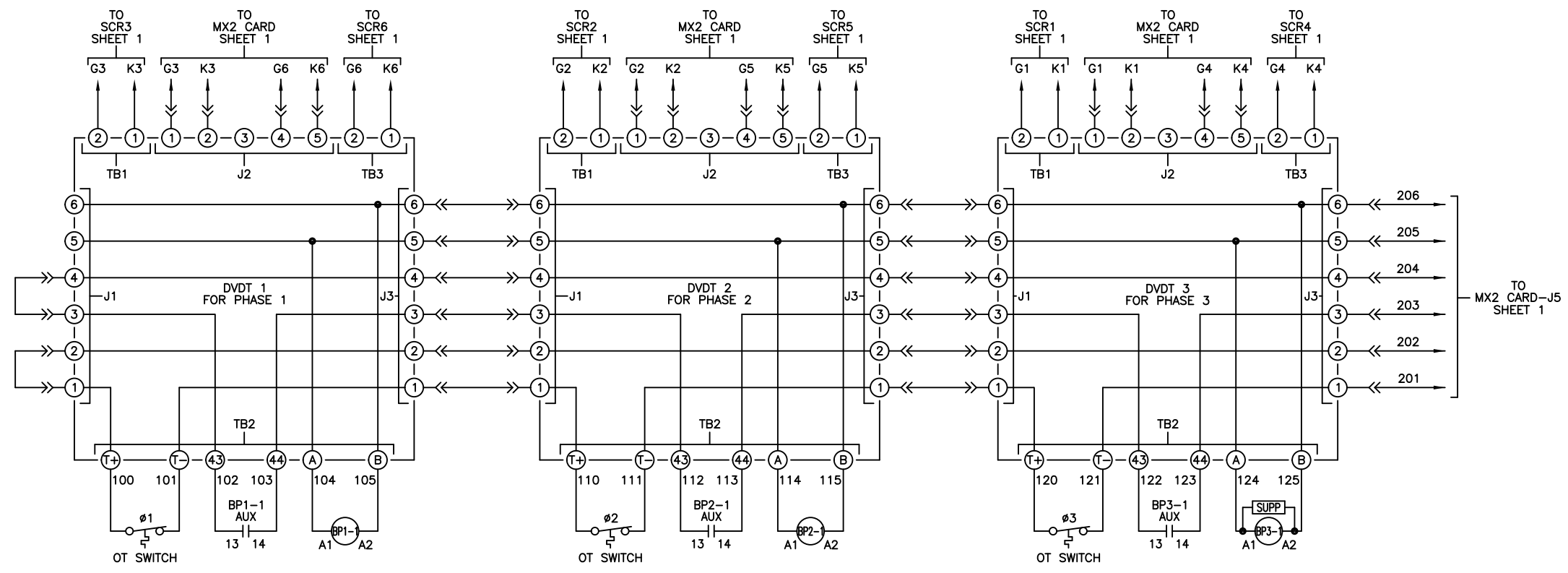
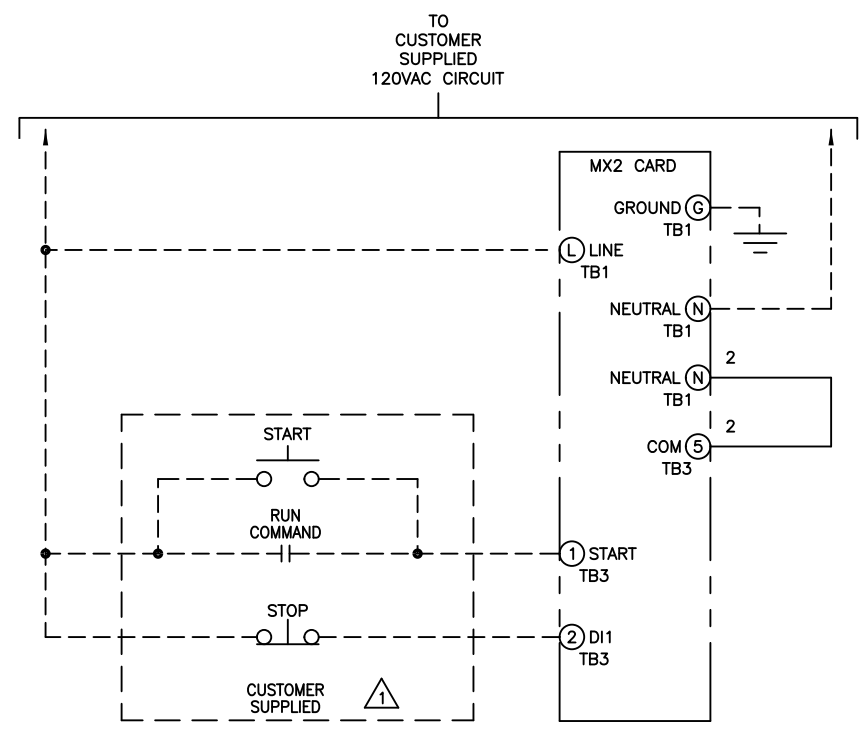
- NOTES:**
- ① SELECT EITHER THREE OR TWO WIRE CONTROL.
  - ② FOR 97-156A UNITS, PROGRAM (P78), FUN (03), CT RATIO = 864:1  
FOR 157-361A UNITS, PROGRAM (P78), FUN (03), CT RATIO = 2640:1
  - ③ L4/T4 CONTACTOR POLE IS ONLY ON 361A UNITS
  - ④ SW1-1: (ANALOG INPUT) UP = CURRENT, DOWN = VOLTAGE  
SW1-2: (ANALOG OUTPUT) UP = VOLTAGE, DOWN = CURRENT
  - ⑤ TIGHTEN POWER AND GROUND LUG FIELD WIRING CONNECTIONS TO CHART 1 SPECIFICATIONS. IF BREAKER IS SUPPLIED ON LINE SIDE OF STACK USE TORQUE VALUES ON BREAKER.

1 E3488 2/28/12 APPR'D: JAF 2/28/12 CHG BY: CAH 2/28/12 CHANGE REMOVED TWO SURGE SUPPRESSORS.	REVISIONS DO NOT SCALE DWG	THIRD ANGLE PROJECTION THIS DRAWING AND ALL INFORMATION CONTAINED HEREIN, IS THE PROPERTY OF BENSCHAW INC., AND MAY NOT BE REPRODUCED, OR DIVULGED TO UNAUTHORIZED PERSONS WITHOUT THE EXPRESS WRITTEN CONSENT OF BENSCHAW INC. IT IS PROVIDED SOLELY FOR THE CONVENIENCE OF THE USER AND SHALL BE RETURNED UPON REQUEST.	UNLESS OTHERWISE SPECIFIED ALL DIMENSIONS IN INCHES INTERPRET DRAWING PER ASME Y14.5M-1994 TOLERANCES: .XX ± .03 .XXX ± .015 ANGLES ± 1°	TITLE: MASTER POWER SCHEMATIC RB2, W/MX2 CONTROL FOR: 97-361A CHASSIS	SIGNATURES: JMD 1/2/2008 DATE: 1/2/2008	815 ALPHA DRIVE PITTSBURGH, PA 15238 550 BRIGHT STREET LISTONEL, ONTARIO M4W 3W3
					ENGR: MSN 1/2/2008 DATE: 1/2/2008	
					MFG: MSN 1/2/2008 DATE: 1/2/2008	
					SIZE: D DWG NO.: SCH-700139-01 REV: 1	
SCALE: 1:1					SHEET 1 OF 2	

10-661004-HJS



- STANDARD LEGEND**
- WIRE NODE SYMBOL MAY HAVE TERMINAL BLOCK
  - BENSCHAW SUPPLIED TERMINAL BLOCK
  - TERMINAL STRIP
  - POWER CONNECTION
  - PC BOARD TERMINALS
  - TWISTED PAIR
  - TWISTED SHIELDED PAIR
  - SHIELDED WIRE
  - FIELD WIRING



REVISIONS DO NOT SCALE DWG	THIRD ANGLE PROJECTION	UNLESS OTHERWISE SPECIFIED ALL DIMENSIONS IN INCHES INTERPRET DRAWING PER ASME Y14.5M-1994 TOLERANCES: .XX ± .03 .XXX ± .015 ANGLES ± 1° MATERIAL: FINISH:	<b>TITLE:</b> MASTER CONTROL SCHEMATIC RB2, W/MX2 CONTROL FOR: 97-361A CHASSIS	SIGNATURES: _____ DATE: _____	815 ALPHA DRIVE PITTSBURGH, PA 15238 550 BRIGHT STREET LISTONEL, ONTARIO M4W 3W3	
	THIS DRAWING AND ALL INFORMATION CONTAINED HEREIN, IS THE PROPERTY OF BENSCHAW INC., AND MAY NOT BE REPRODUCED, OR DIVULGED TO UNAUTHORIZED PERSONS WITHOUT THE EXPRESS WRITTEN CONSENT OF BENSCHAW INC. IT IS PROVIDED SOLELY FOR THE CONVENIENCE OF THE USER AND SHALL BE RETURNED UPON REQUEST.			DRAWN: JMD 1/2/2008 CHKD: _____ ENGR: MSN 1/2/2008 MFD: _____ SIZE: D DWG NO. _____		REV 1
	SCALE: 1:1			SHEET 2 OF 2		
	SCH-700139-01					