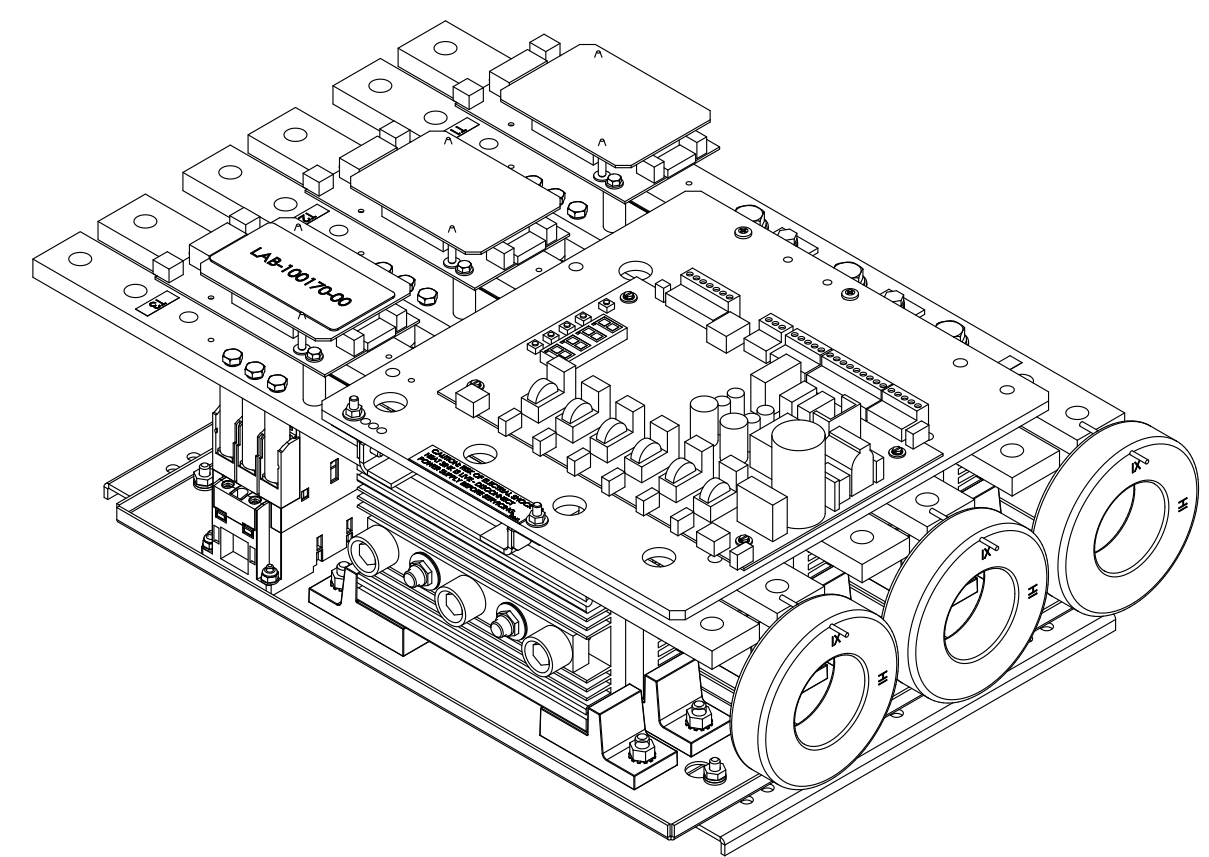
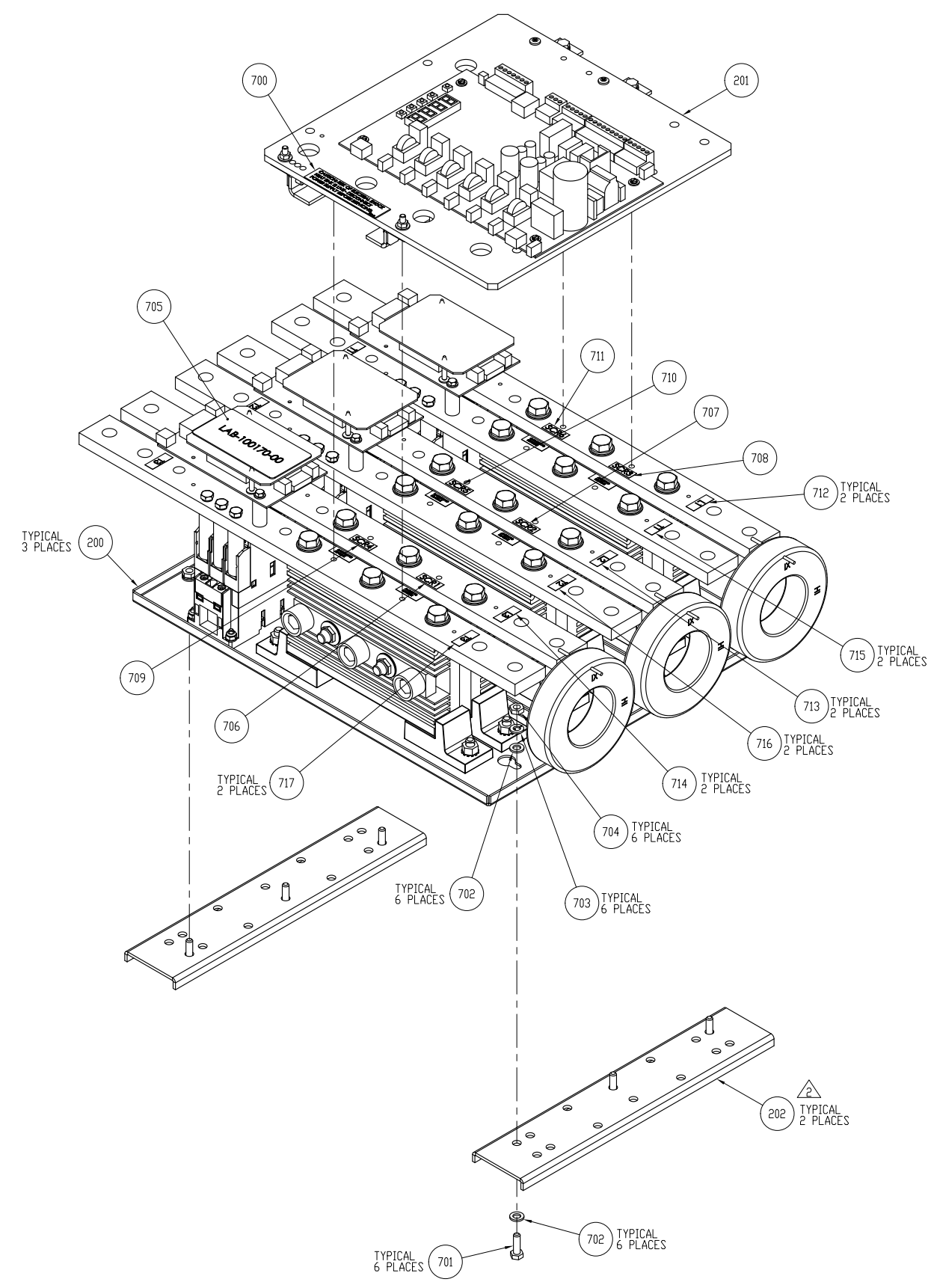


A
B
C
D
E
F
G
H
I
J
K
L
M
N

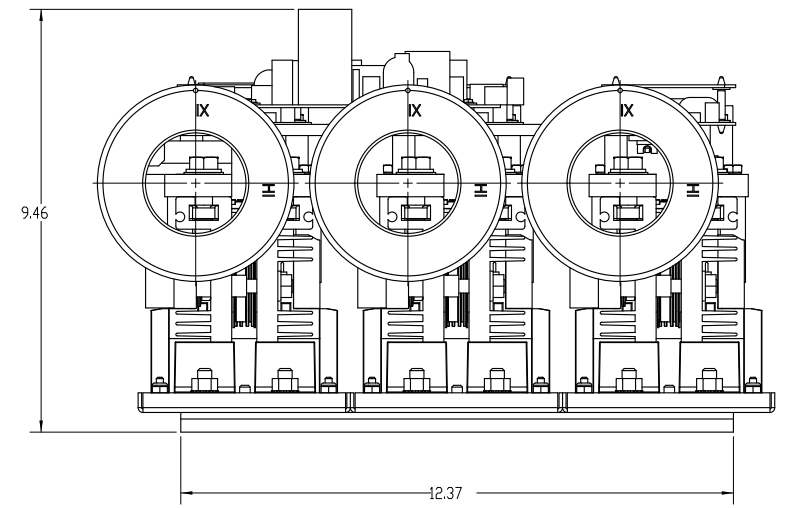
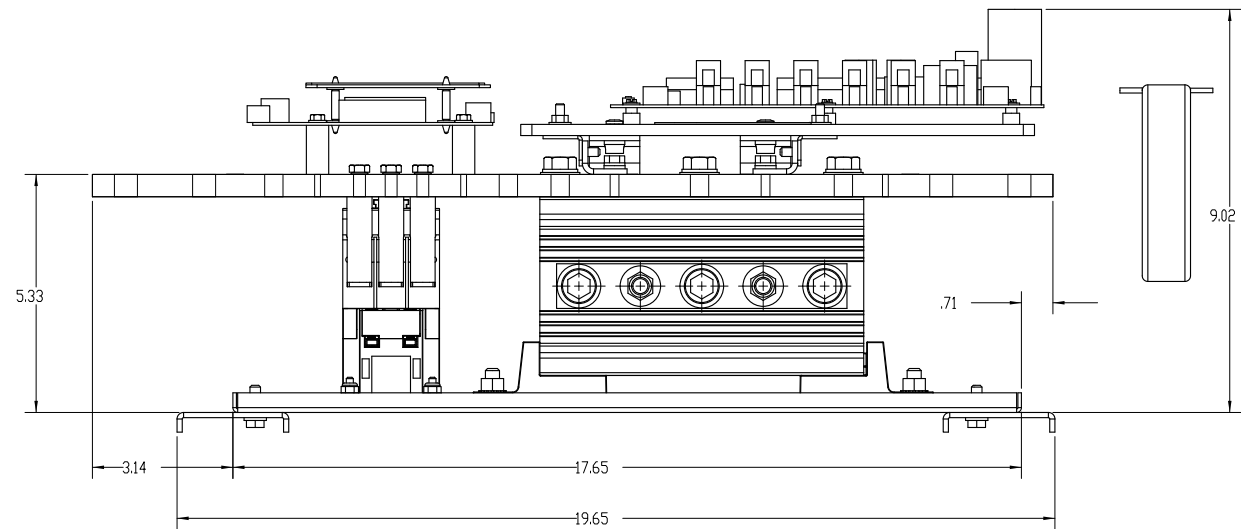
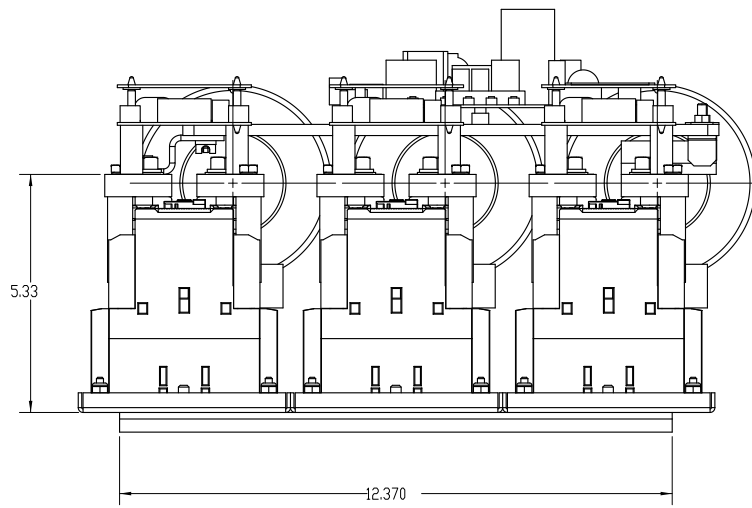
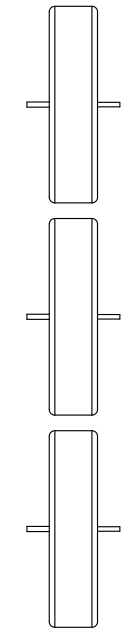
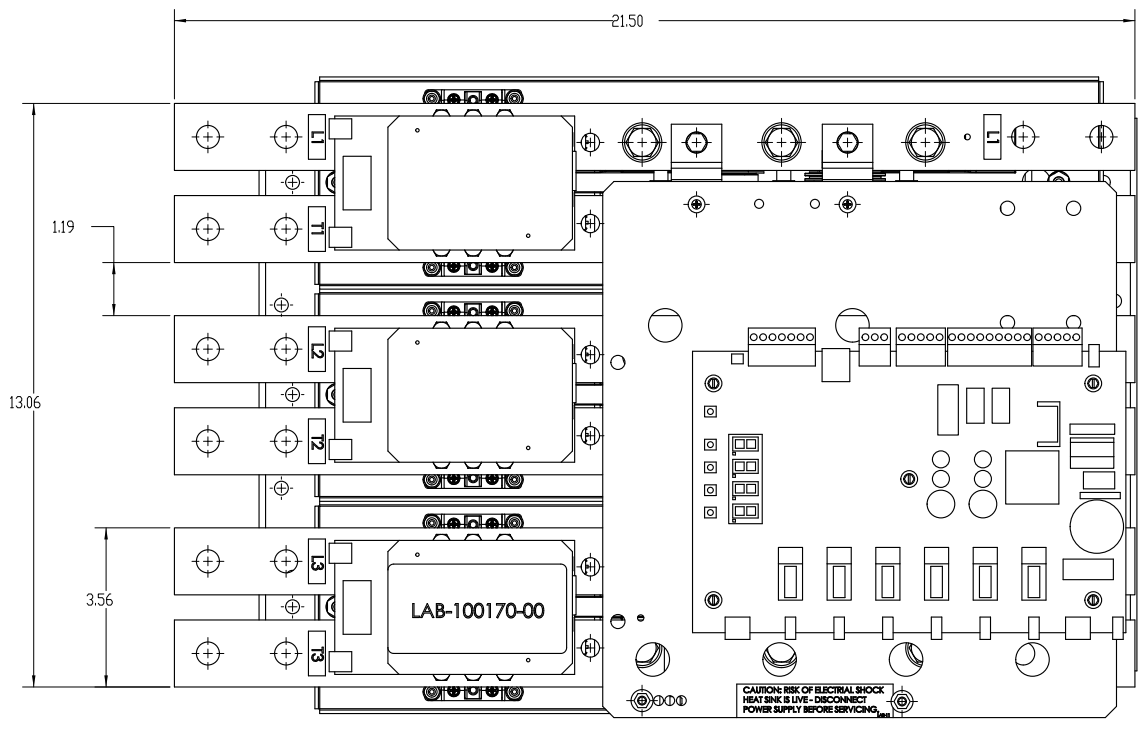


FULL ASSEMBLY

- NOTES:
- TIGHTEN M6-100 BOLTS TO 6.77 Nm DR (5 FT LBS).
 - ITEM 202 WILL BE REMOVED FROM THE CHASSIS WHEN THE STARTER IS MOUNTED DIRECTLY TO A SUBPANEL OF A ENCLOSURE. HARDWARE WILL BE DISCARDED.
 - ITEM 203 THRU 208 ARE NOT SHOWN.

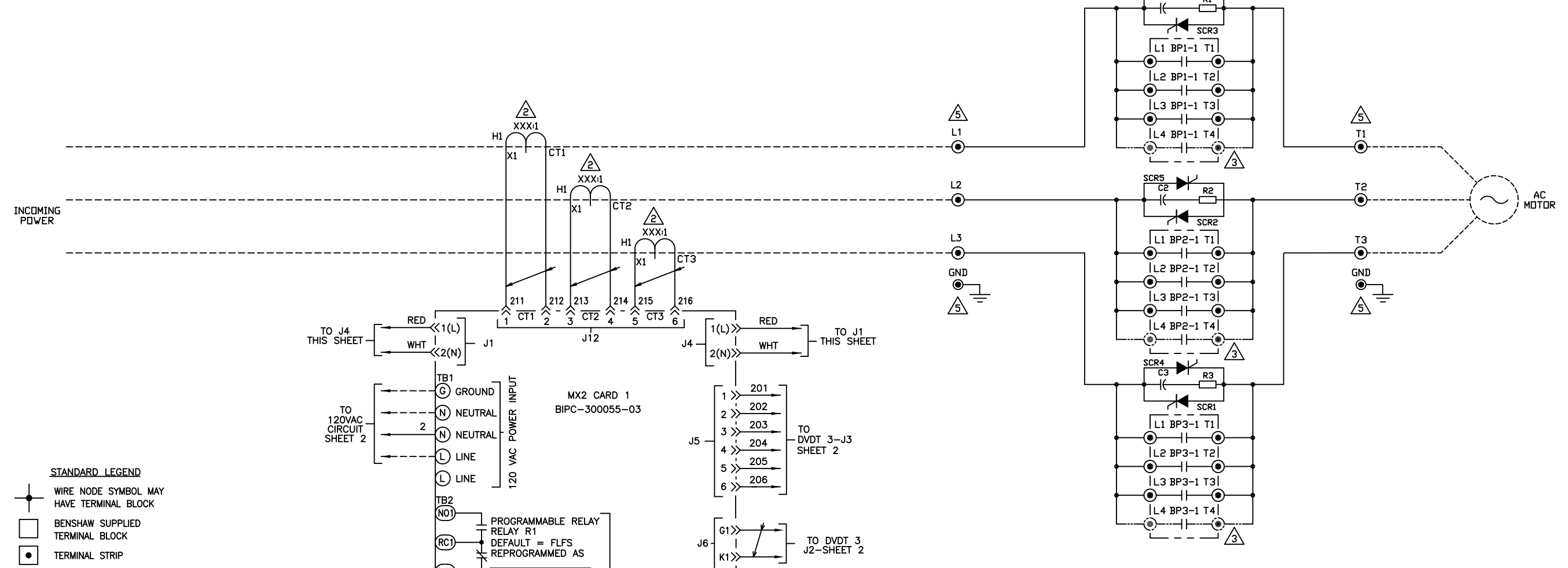
REV: 4 APPD: MCL 10/23/14 CHGD: MCL 10/23/14 DESCRIPTION: REMOVE NEG QTY ITEMS FROM BOM	REV: 3 APPD: MSN 10/15/2012 CHGD: JBP 10/15/2012 DESCRIPTION: UPDATE DRAWING WITH CHANGES TO POWER SECTION ASSEMBLY.	REV: 1 APPD: MSN 5/17/2012 CHGD: JBP 5/15/2012 DESCRIPTION: UPDATE DRAWING WITH CHANGES TO POWER SECTION ASSEMBLY.	THIRD ANGLE PROJECTION	UNLESS OTHERWISE SPECIFIED ALL DIMENSION IN INCHES INTERPRET DRAWING PER ASME Y14.5M-1994 TOLERANCES: X ± 1/8 ANGLES ± 1° XX ± .03 XXX ± .015 MATERIAL: FINISH	SIGNATURES DRWN: RBM CHKD: ENG: MSN MFG:	DATE 10/2/06 11/16/06	TITLE: RB2-1-S-180A-15C CHASSIS STANDARD FAULT 180A DD/279A ID NOMINAL 270A DD/321A ID @115% 30KA MAX 600V MAX	BENSHAW 65 ALPINE DRIVE PETERBORO, PA 15201 PHONE 482-948-0000 500 BROAD ST. E. LITTLETON, COLORADO 80120	SIZE D	DWG NO. CH-440138-00	REV 4
			DO NOT SCALE DWG		THIS DRAWING AND ALL INFORMATION CONTAINED HEREIN IS THE PROPERTY OF BENSHAW INC. AND IS TO BE KEPT CONFIDENTIAL. IT IS TO BE RETURNED TO BENSHAW INC. UPON REQUEST.	SCALE: 1/2"=1"			SHEET: 1 OF 2		

A
B
C
D
E
F
G
H
I
J
K
L
M
N



DO NOT SCALE DRAWING	THIRD ANGLE PROJECTION	UNLESS OTHERWISE SPECIFIED ALL DIMENSIONS IN INCHES INTERPRET DRAWING PER ASME Y14.5M-1994 TOLERANCES: ANGLES ± 1° MATERIAL: FINISH:	SIGNATURES	DATE	TITLE: RB2 -1-S-180A-15C CHASSIS STANDARD FAULT 180A OD/279 ID NOMINAL 207A OD/321A ID @ 115% 30 KA MAX 600V MAX	 BENSHAW <small>605 ALPAC DRIVE PETERSBURG, PA 15801 PHONE 1-800-940-0000 500 BROAD ST. E. LEWISBURG, OHIO 44641 HW 303</small>	
	THIS DRAWING AND ALL INFORMATION CONTAINED HEREIN IS THE PROPERTY OF BENSHAW INC. AND IS NOT TO BE REPRODUCED OR TRANSMITTED IN ANY FORM OR BY ANY MEANS, ELECTRONIC OR MECHANICAL, WITHOUT THE EXPRESS WRITTEN CONSENT OF BENSHAW INC. CONVENIENCE OF THE USER AND SHALL BE RETURNED UPON REQUEST.		DRWN.	RBM			10/2/06
			CHKD.				
			ENG.	MSN			11/16/06
	MFG.			SIZE: D DWG NO: CH-440138-00 SCALE: 1/24 SHEET: 2 OF 2			

10-661004-HJS
ON DIM



- STANDARD LEGEND**
- WIRE NODE SYMBOL MAY HAVE TERMINAL BLOCK
 - BENSCHAW SUPPLIED TERMINAL BLOCK
 - TERMINAL STRIP
 - POWER CONNECTION
 - PC BOARD TERMINALS
 - TWISTED PAIR
 - TWISTED SHIELDED PAIR
 - SHIELDED WIRE
 - FIELD WIRING

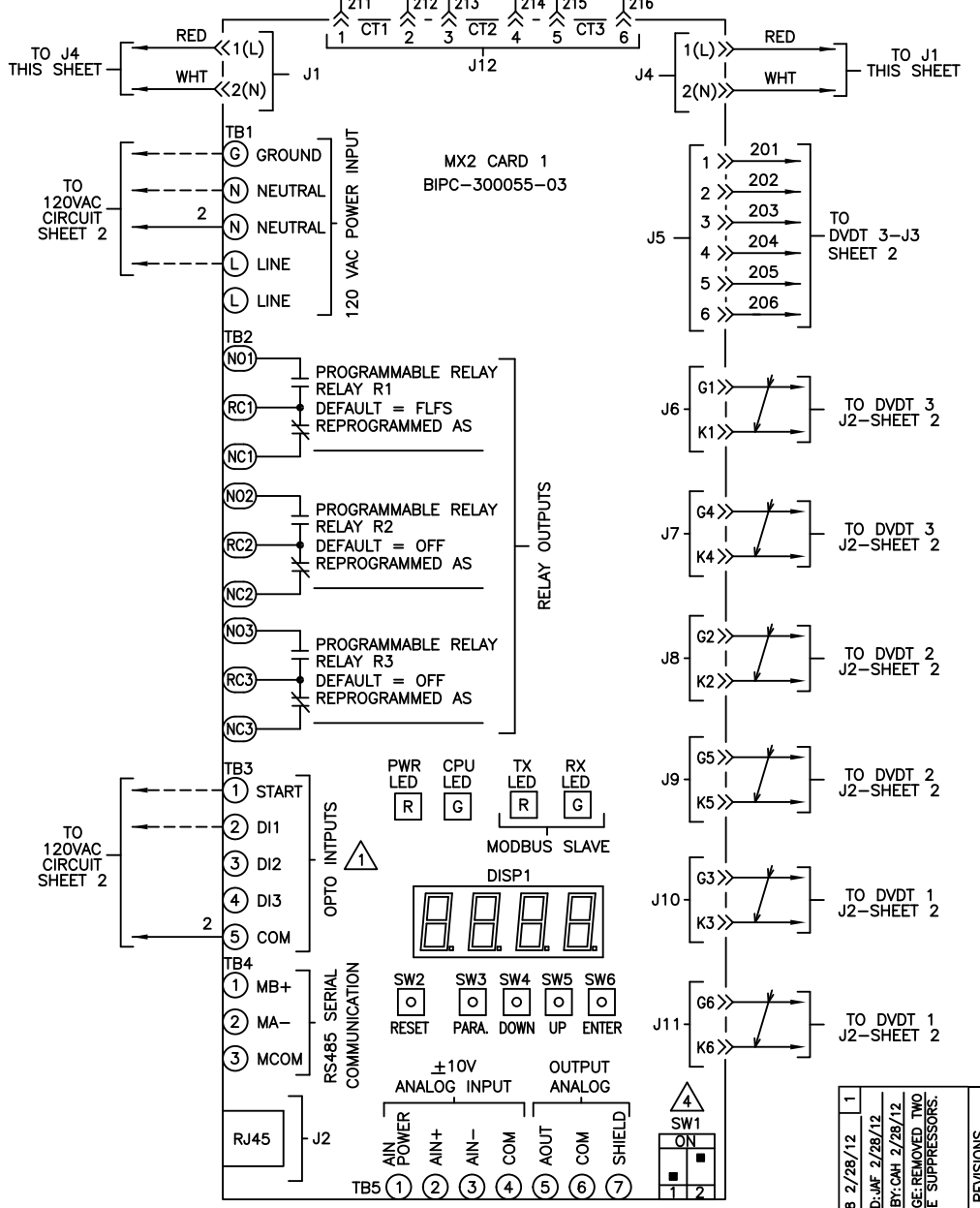


CHART 1

TIGHTENING TORQUE SPECIFICATIONS FOR SOCKET HEAD SCREWS

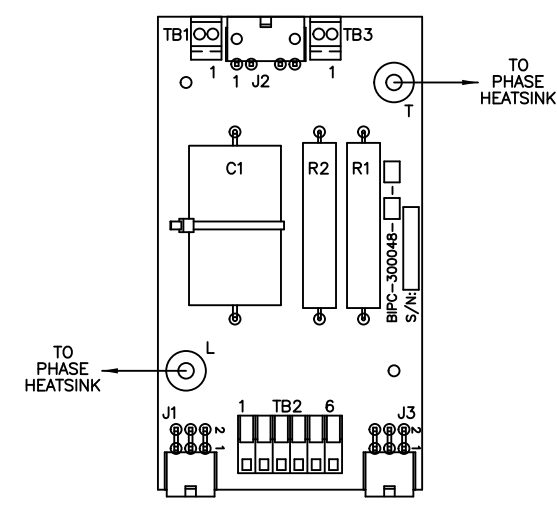
SOCKET SIZE ACROSS FLATS (INCHES)	TORQUE POUNDS-INCHES
1/4	200
5/16	275
3/8	375
1/2	500

- NOTES:**
- ① SELECT EITHER THREE OR TWO WIRE CONTROL.
 - ② FOR 97-156A UNITS, PROGRAM (P78), FUN (03), CT RATIO = 864:1
FOR 157-361A UNITS, PROGRAM (P78), FUN (03), CT RATIO = 2640:1
 - ③ L4/T4 CONTACTOR POLE IS ONLY ON 361A UNITS
 - ④ SW1-1: (ANALOG INPUT) UP = CURRENT, DOWN = VOLTAGE
SW1-2: (ANALOG OUTPUT) UP = VOLTAGE, DOWN = CURRENT
 - ⑤ TIGHTEN POWER AND GROUND LUG FIELD WIRING CONNECTIONS TO CHART 1 SPECIFICATIONS. IF BREAKER IS SUPPLIED ON LINE SIDE OF STACK USE TORQUE VALUES ON BREAKER.

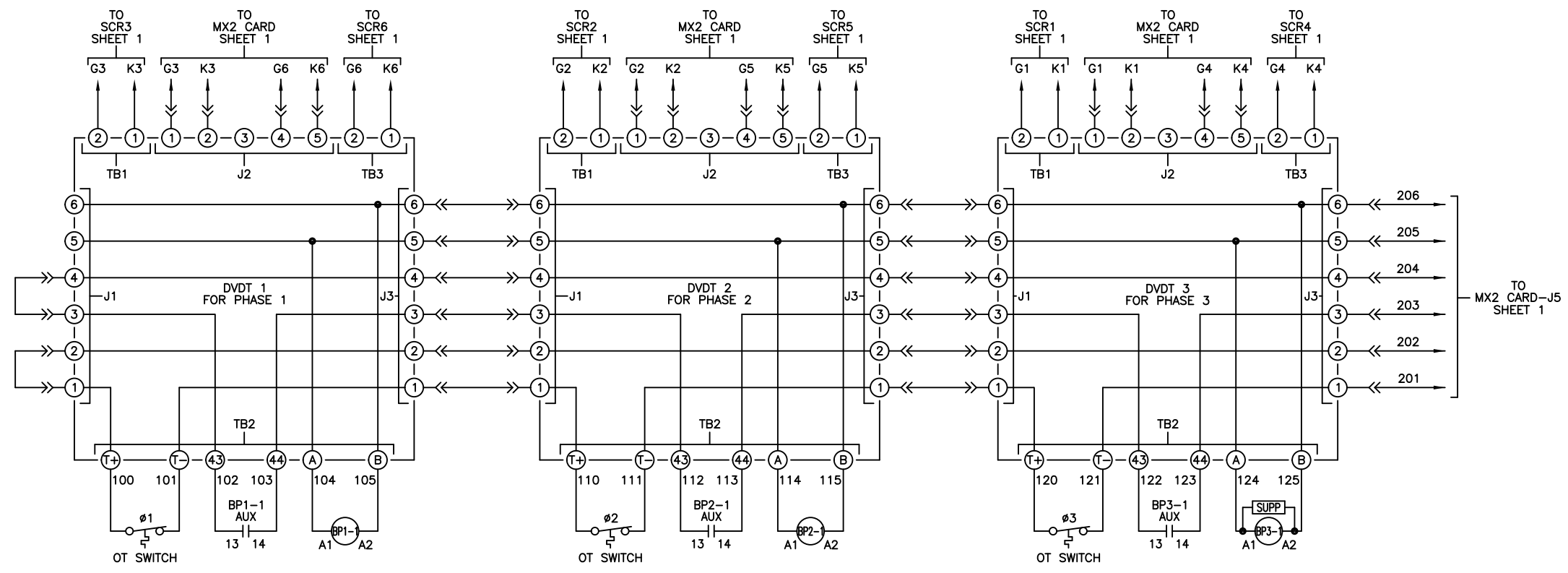
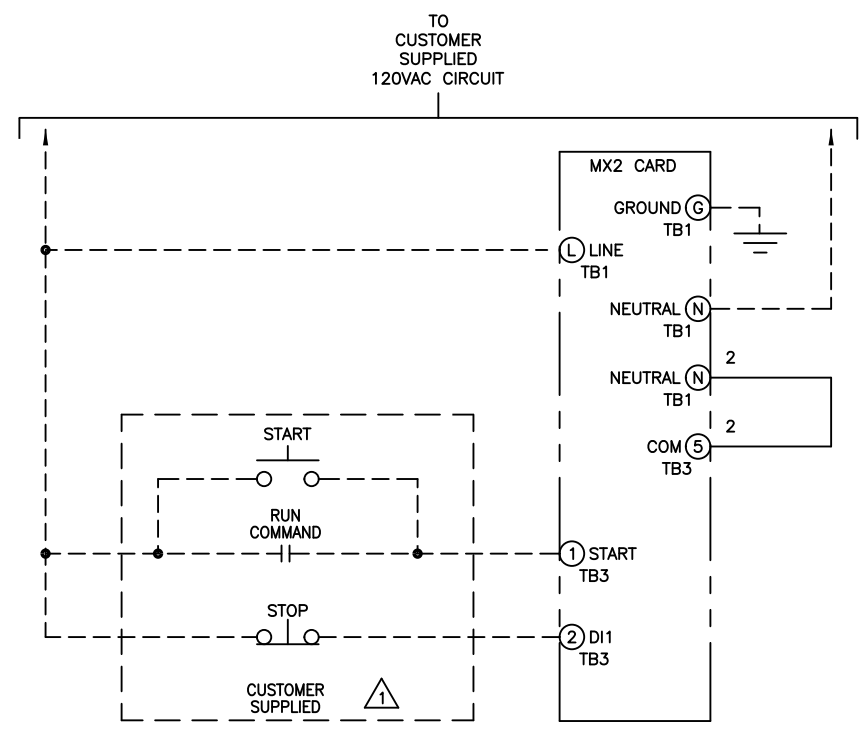
1 E3488 2/28/12 APPR: JAF 2/28/12 CHG BY: CAH 2/28/12 CHANGE REMOVED TWO SURGE SUPPRESSORS.	REVISIONS DO NOT SCALE DWG	THIRD ANGLE PROJECTION THIS DRAWING AND ALL INFORMATION CONTAINED HEREIN IS THE PROPERTY OF BENSCHAW INC., AND MAY NOT BE REPRODUCED, OR DIVULGED TO UNAUTHORIZED PERSONS WITHOUT THE EXPRESS WRITTEN CONSENT OF BENSCHAW INC. IT IS PROVIDED SOLELY FOR THE CONVENIENCE OF THE USER AND SHALL BE RETURNED UPON REQUEST.	UNLESS OTHERWISE SPECIFIED ALL DIMENSIONS IN INCHES INTERPRET DRAWING PER ASME Y14.5M-1994 TOLERANCES: .XX ± .03 .XXX ± .015 ANGLES ± 1°	TITLE: MASTER POWER SCHEMATIC RB2, W/MX2 CONTROL FOR: 97-361A CHASSIS	SIGNATURES: JMD 1/2/2008 DATE: 1/2/2008
					ENG: MSN 1/2/2008 DATE: 1/2/2008
					MFG: MSN 1/2/2008 DATE: 1/2/2008
					SIZE: D DWG NO.: SCH-700139-01 REV: 1
SCALE: 1:1 SHEET 1 OF 2					



10-661004-HJS



- STANDARD LEGEND**
- WIRE NODE SYMBOL MAY HAVE TERMINAL BLOCK
 - BENSRAW SUPPLIED TERMINAL BLOCK
 - TERMINAL STRIP
 - POWER CONNECTION
 - PC BOARD TERMINALS
 - TWISTED PAIR
 - TWISTED SHIELDED PAIR
 - SHIELDED WIRE
 - FIELD WIRING



REVISIONS DO NOT SCALE DWG	THIRD ANGLE PROJECTION	UNLESS OTHERWISE SPECIFIED ALL DIMENSIONS IN INCHES INTERPRET DRAWING PER ASME Y14.5M-1994 TOLERANCES: .XX ± .03 .XXX ± .015 ANGLES ± 1° MATERIAL: FINISH:	TITLE: MASTER CONTROL SCHEMATIC RB2, W/MX2 CONTROL FOR: 97-361A CHASSIS	SIGNATURES: JMD DATE: 1/2/2008	815 ALPHA DRIVE PITTSBURGH, PA 15238 550 BRIGHT STREET LISTONEL, ONTARIO M4W 3N3	
	THIS DRAWING AND ALL INFORMATION CONTAINED HEREIN, IS THE PROPERTY OF BENSRAW INC., AND MAY NOT BE REPRODUCED, OR DIVULGED TO UNAUTHORIZED PERSONS WITHOUT THE EXPRESS WRITTEN CONSENT OF BENSRAW INC. IT IS PROVIDED SOLELY FOR THE CONVENIENCE OF THE USER AND SHALL BE RETURNED UPON REQUEST.		ENG: MSN DATE: 1/2/2008	DWG NO.: SCH-700139-01		REV: 1
	SCALE: 1:1		SHEET 2 OF 2	REV: 1		
	SCALE: 1:1 SHEET 2 OF 2					