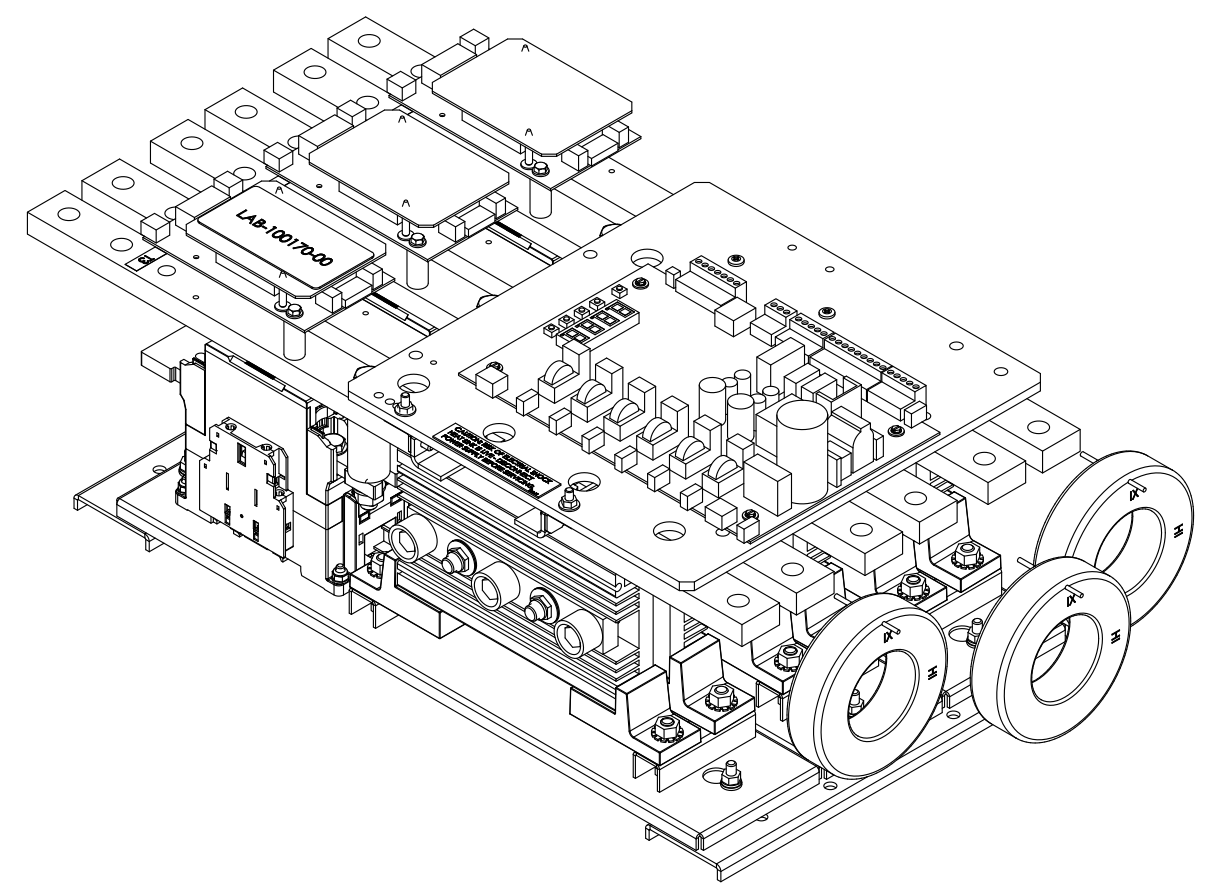
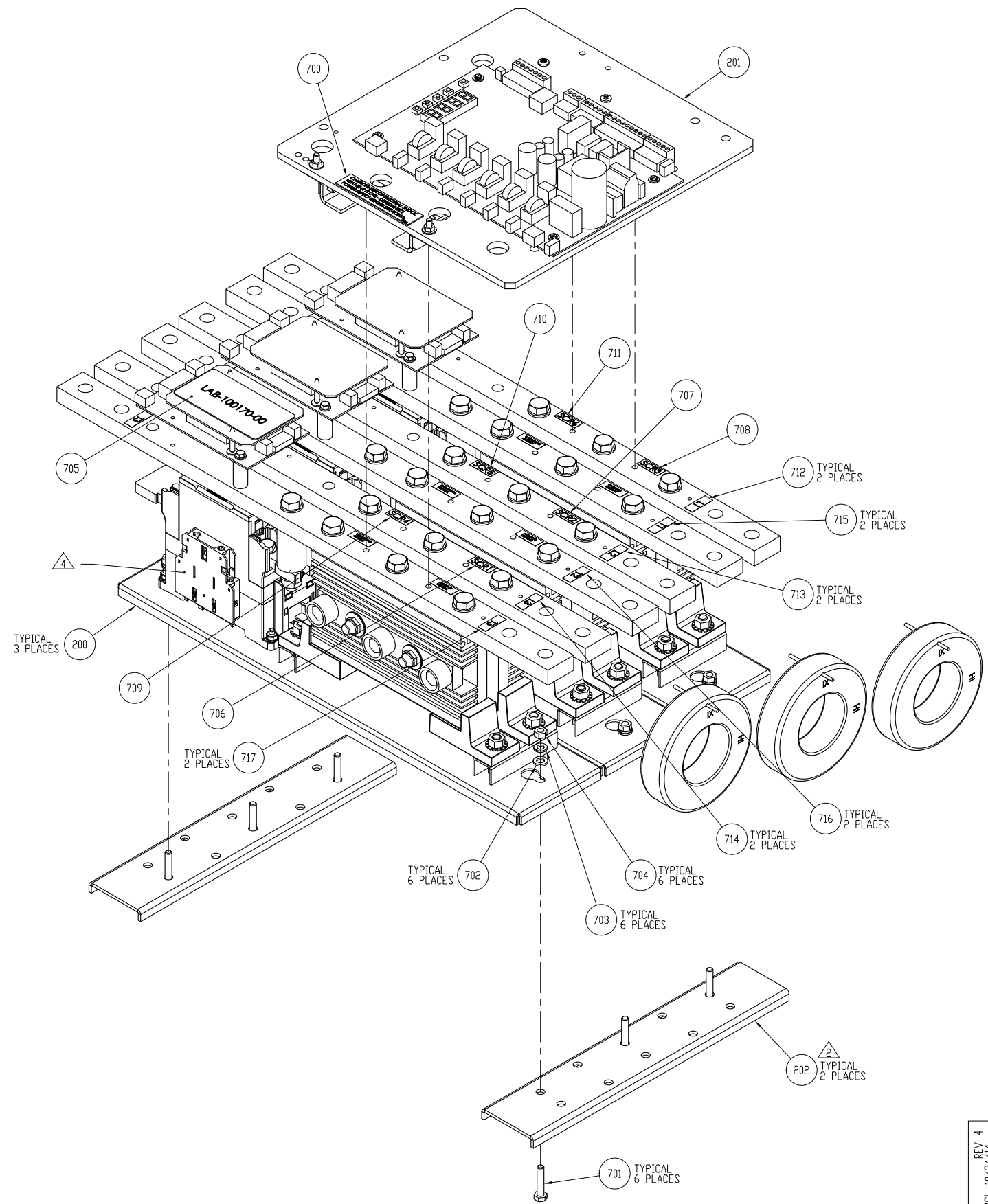


A
B
C
D
E
F
G
H
I
J
K
L
M
N



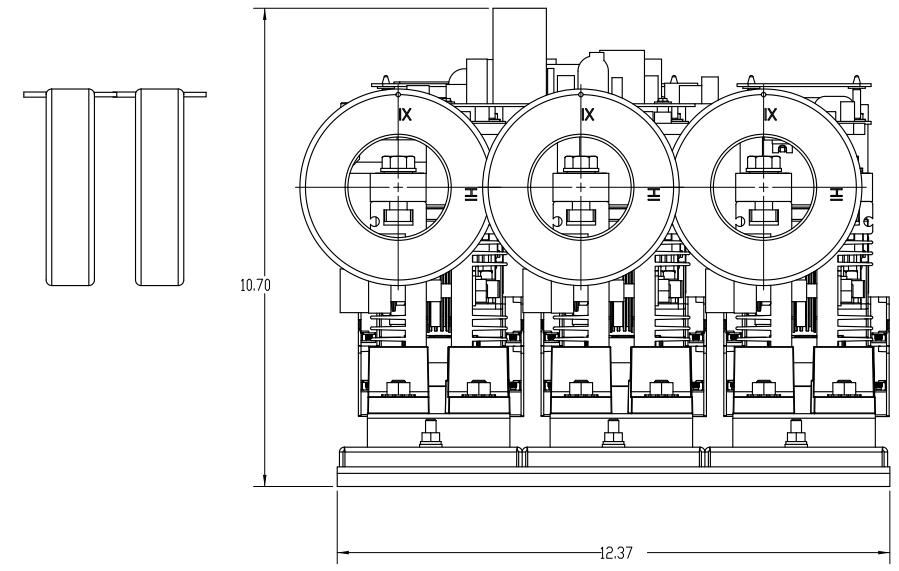
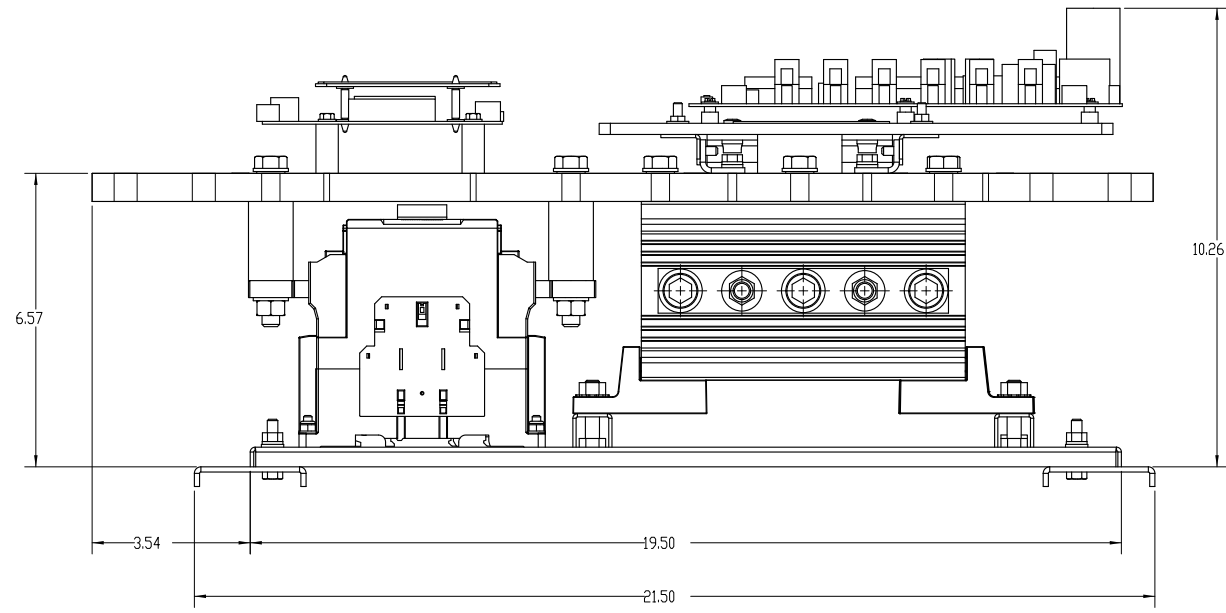
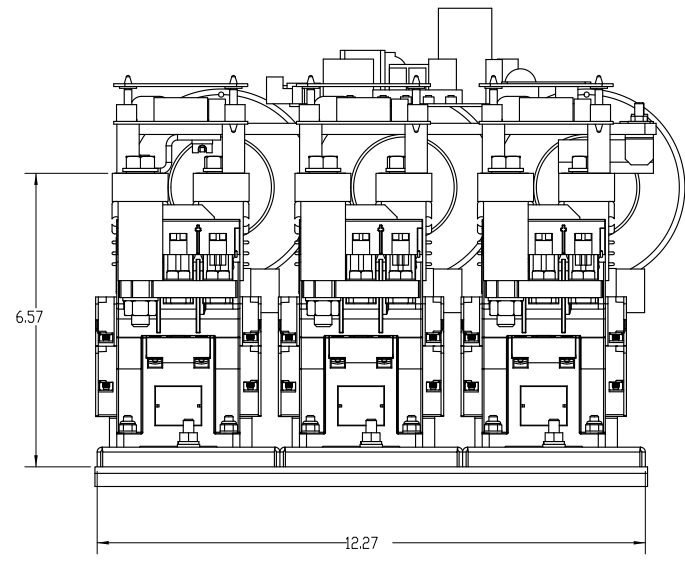
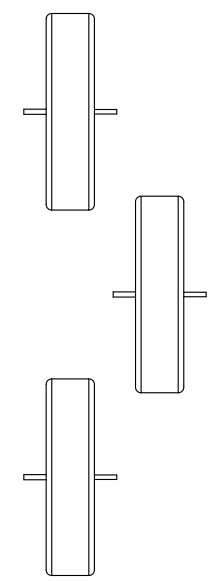
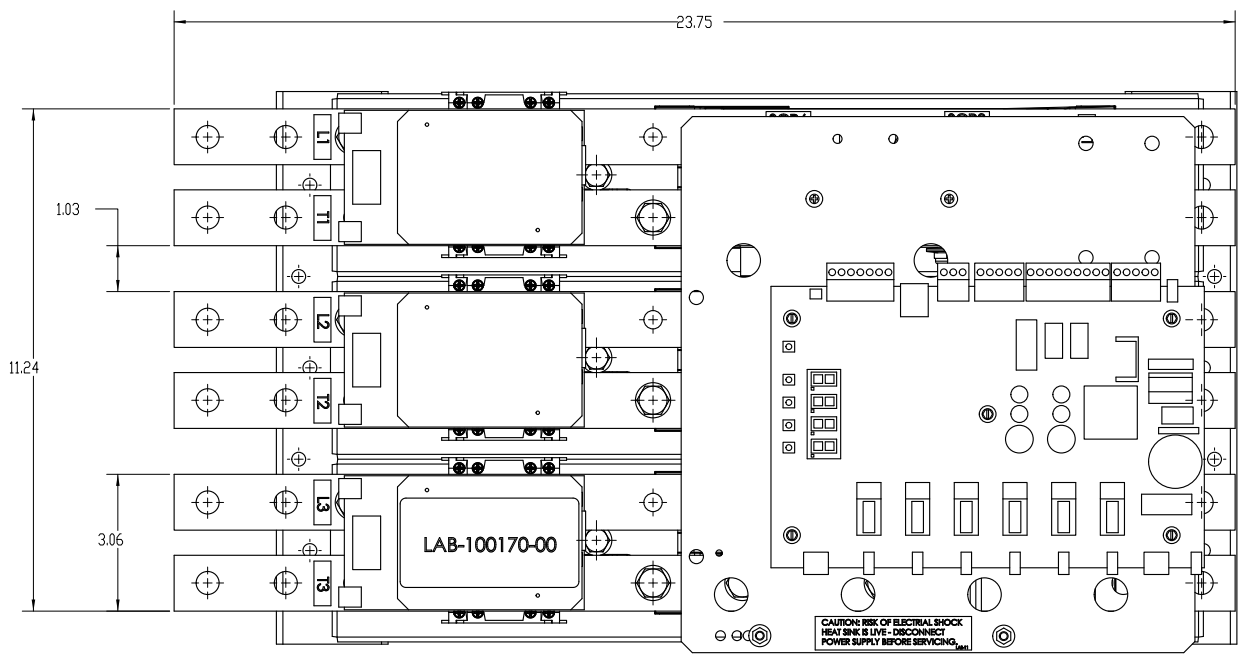
FULL ASSEMBLY

- NOTES:
- TIGHTEN ALL M6-100 BOLTS TO 6.77 Nm OR (5 FT LBS) .
 - ITEM 202 WILL BE REMOVED FROM THE CHASSIS WHEN THE STARTER IS MOUNTED DIRECTLY TO A SUBPANEL OF A ENCLOSURE. HARDWARE WILL BE DISCARDED.
 - ITEM 203 THRU 208 ARE NOT SHOWN.
 - WHEN BUILDING 240 AMP POWER CHASSIS USE RC-75 CONTACTORS OR WHEN BUILDING 302 AMP POWER CHASSIS USE RC-85 CONTACTORS
- RB2-1-S-240A15C CH-440139-00
204A OD/372A ID NOMINAL
276A OD/428A ID @115Z
- RB2-1-S-302AA15C CH-440140-00
302A OD/468A ID NOMINAL
347A OD/538A ID @115Z

REV: 4 APP'D: MCL 10/24/14 CHGD: MCL 10/24/14 DESCRIPTION: REMOVE NEG QTY ITEMS FROM BOM	REV: 3 APP'D: MSN 7/20/12 CHGD: JBP 7/20/12 DESCRIPTION: UPDATED DRAWINGS TO AGREE WITH POWER SECTION ASSEMBLY	THIRD ANGLE PROJECTION	UNLESS OTHERWISE SPECIFIED ALL DIMENSION IN INCHES INTERPRET DRAWING PER ASME Y14.5M-1994 TOLERANCES: X ± 1/8 ANGLES ± 1° XX ± .03 XXX ± .015 MATERIAL: FINISH:	SIGNATURES	DATE	TITLE: RB2 240/302 AMP CHASSIS STANDARD FAULT 30KA MAX 600V MAX	65 ALPINE DRIVE PETERBORO, PA 15201 PHONE 482-940-0000 500 BROAD ST. E. LITTLETON, COLORADO 80120		
		DRWN: RBM		10/2/06	THIS DRAWING AND ALL INFORMATION CONTAINS HEREIN IS THE PROPERTY OF BENSHAW INC. AND IS TO BE KEPT CONFIDENTIAL. IT IS TO BE RETURNED TO BENSHAW INC. UPON REQUEST.			CHKD:	
		ENG: MSN		11/16/06				MFG:	
		DO NOT SCALE DIMG							

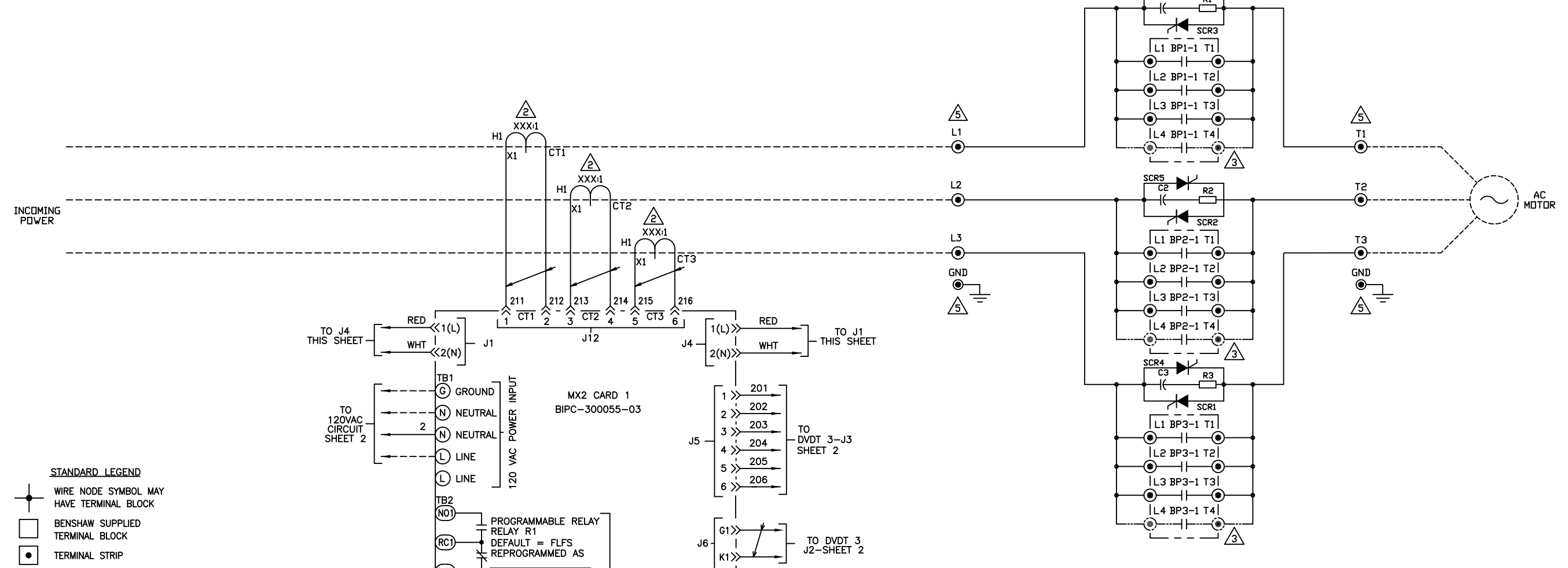
SIZE	DWG NO.	REV
D	CH-440140-00	4
SCALE: 1/2:1		SHEET: 1 OF 2

A
B
C
D
E
F
G
H
I
J
K
L
M
N



DO NOT SCALE DWG	THIRD ANGLE PROJECTION	UNLESS OTHERWISE SPECIFIED ALL DIMENSION IN INCHES INTERPRET DRAWING PER ASME Y14.5M-1994 TOLERANCES: X ± 1/8 ANGLES ± 1° XX ± .03 XXX ± .015 MATERIAL: FINISH:	SIGNATURES	DATE	TITLE: RB2 240/302 AMP CHASSIS STANDARD FAULT 30KA MAX 600V MAX	 <small>65 ALPINE DRIVE PETERSBURG PA 15801 PHONE 1-800-949-0000 500 BROAD ST. E. LEWISBURG, OHIO 44641</small>	
	THIS DRAWING AND ALL INFORMATION CONTAINS HEREIN IS THE PROPERTY OF BENSHAW INC. AND DIVULGED TO UNAUTHORIZED PERSONS WITHOUT THE EXPRESS WRITTEN CONSENT OF BENSHAW INC. CONVENIENCE OF THE USER AND SHALL BE RETURNED UPON REQUEST.		DRWN.	RBM			10/2/06
			CHKD.	MSN			11/16/06
			ENG.	MSN			
					SIZE: D DWG NO: CH-440140-00 SCALE: 1/24 SHEET: 2 OF 2		

10-661004-HJS
ON DIM



- STANDARD LEGEND**
- WIRE NODE SYMBOL MAY HAVE TERMINAL BLOCK
 - BENSCHAW SUPPLIED TERMINAL BLOCK
 - TERMINAL STRIP
 - ⊙ POWER CONNECTION
 - PC BOARD TERMINALS
 - ↯ TWISTED PAIR
 - ↯ TWISTED SHIELDED PAIR
 - || SHIELDED WIRE
 - - - FIELD WIRING

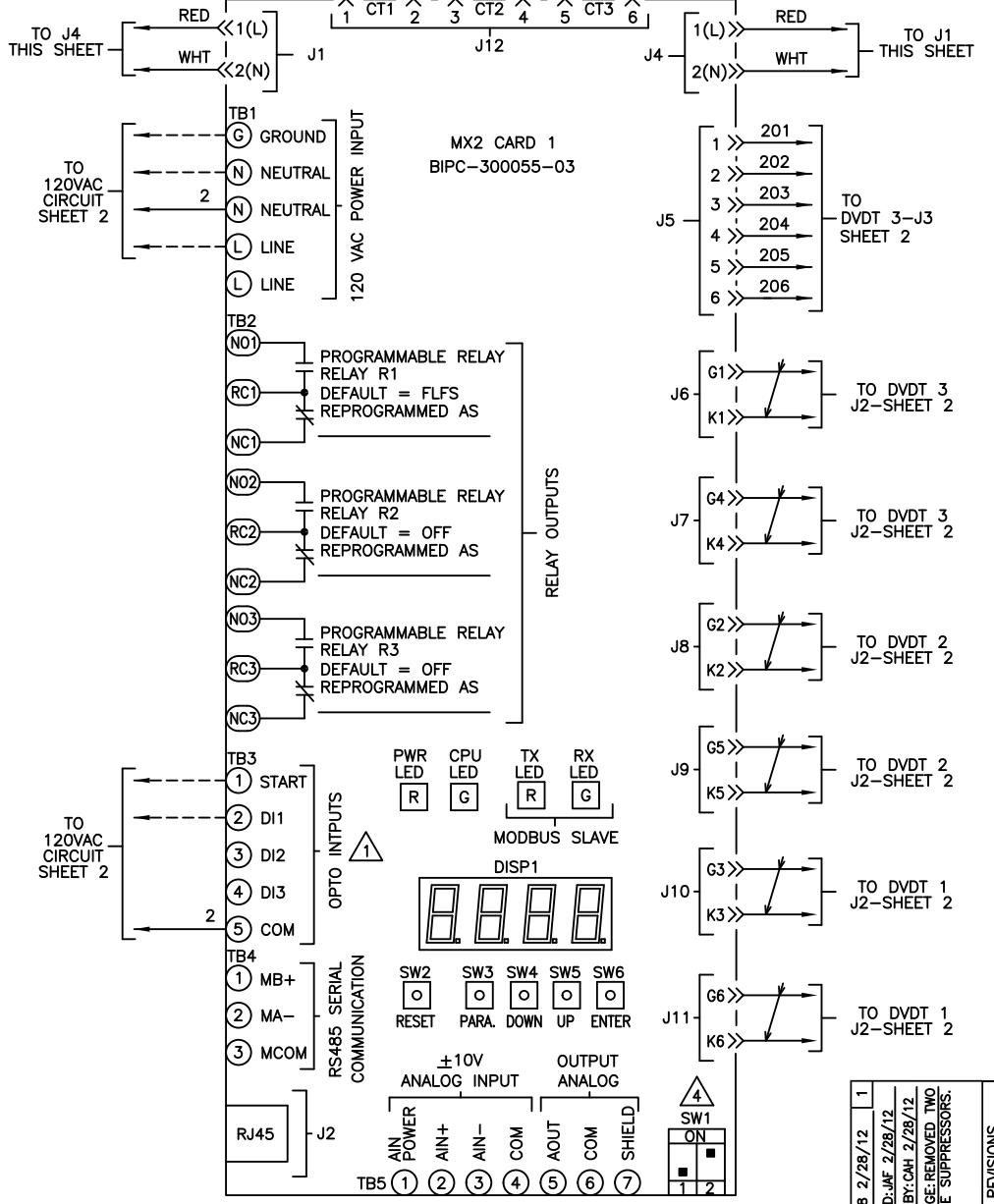


CHART 1

TIGHTENING TORQUE SPECIFICATIONS FOR SOCKET HEAD SCREWS

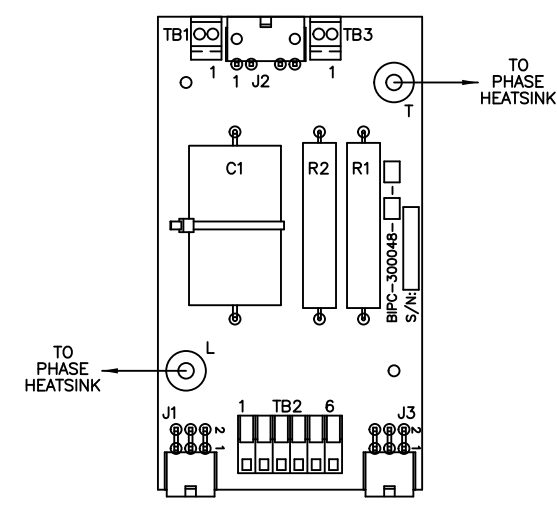
SOCKET SIZE ACROSS FLATS (INCHES)	TORQUE POUNDS-INCHES
1/4	200
5/16	275
3/8	375
1/2	500

- NOTES:**
- ① SELECT EITHER THREE OR TWO WIRE CONTROL.
 - ② FOR 97-156A UNITS, PROGRAM (P78), FUN (03), CT RATIO = 864:1
FOR 157-361A UNITS, PROGRAM (P78), FUN (03), CT RATIO = 2640:1
 - ③ L4/T4 CONTACTOR POLE IS ONLY ON 361A UNITS
 - ④ SW1-1: (ANALOG INPUT) UP = CURRENT, DOWN = VOLTAGE
SW1-2: (ANALOG OUTPUT) UP = VOLTAGE, DOWN = CURRENT
 - ⑤ TIGHTEN POWER AND GROUND LUG FIELD WIRING CONNECTIONS TO CHART 1 SPECIFICATIONS. IF BREAKER IS SUPPLIED ON LINE SIDE OF STACK USE TORQUE VALUES ON BREAKER.

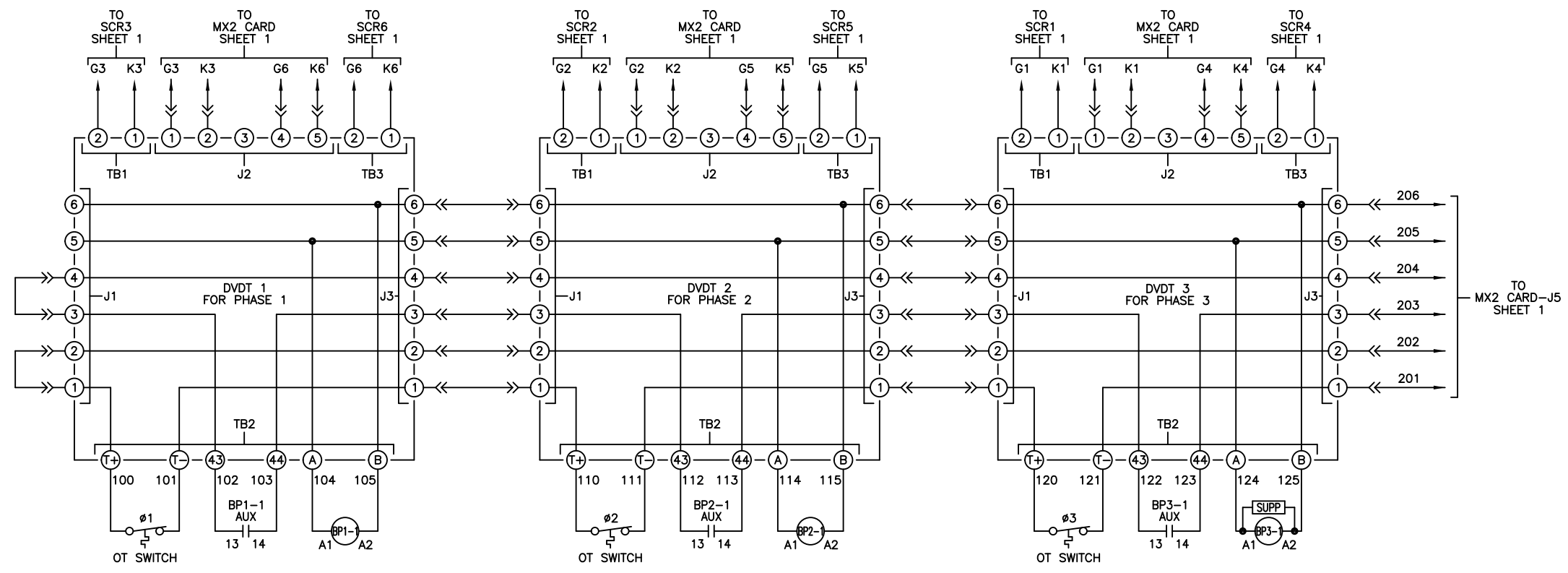
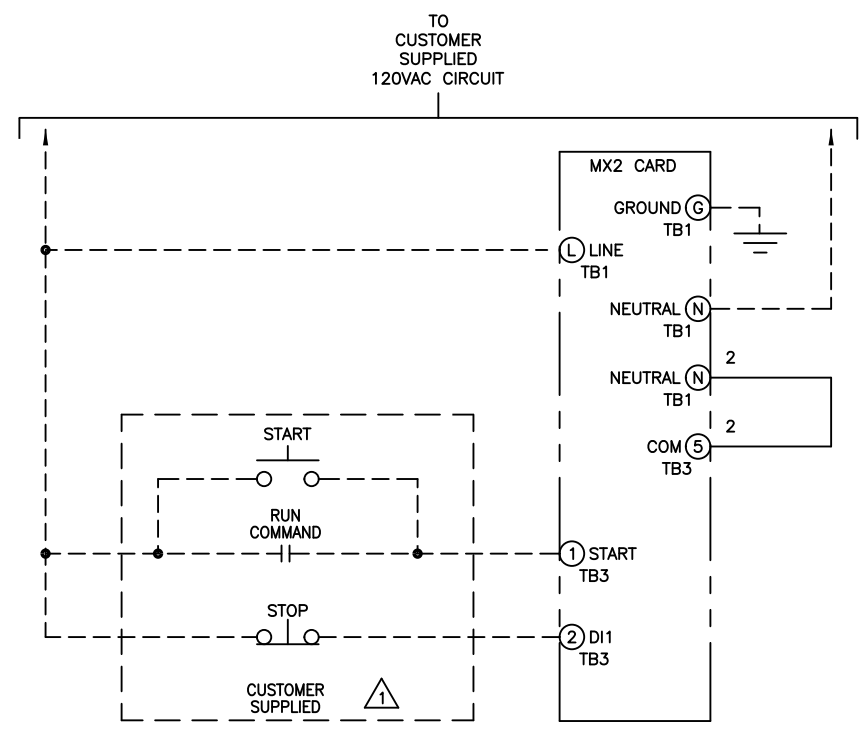
1 E3488 2/28/12 APPR: JAF 2/28/12 CHG BY: CAH 2/28/12 CHANGE REMOVED TWO SURGE SUPPRESSORS.	REVISIONS DO NOT SCALE DWG	THIRD ANGLE PROJECTION THIS DRAWING AND ALL INFORMATION CONTAINED HEREIN, IS THE PROPERTY OF BENSCHAW INC., AND MAY NOT BE REPRODUCED, OR DIVULGED TO UNAUTHORIZED PERSONS WITHOUT THE EXPRESS WRITTEN CONSENT OF BENSCHAW INC. IT IS PROVIDED SOLELY FOR THE CONVENIENCE OF THE USER AND SHALL BE RETURNED UPON REQUEST.	UNLESS OTHERWISE SPECIFIED ALL DIMENSIONS IN INCHES INTERPRET DRAWING PER ASME Y14.5M-1994 TOLERANCES: .XX ± .03 .XXX ± .015 ANGLES ± 1°	TITLE: MASTER POWER SCHEMATIC FOR: 97-361A CHASSIS	SIGNATURES: JMD 1/2/2008 DATE: 1/2/2008
					ENGR: MSN 1/2/2008 DATE: 1/2/2008
					MFG: MSN 1/2/2008 DATE: 1/2/2008
					SIZE: D DWG NO.: SCH-700139-01 REV: 1
SCALE: 1:1 SHEET 1 OF 2					



10-661004-HJS



- STANDARD LEGEND**
- WIRE NODE SYMBOL MAY HAVE TERMINAL BLOCK
 - BENSRAW SUPPLIED TERMINAL BLOCK
 - TERMINAL STRIP
 - POWER CONNECTION
 - PC BOARD TERMINALS
 - TWISTED PAIR
 - TWISTED SHIELDED PAIR
 - SHIELDED WIRE
 - FIELD WIRING



REVISIONS DO NOT SCALE DWG	THIRD ANGLE PROJECTION	UNLESS OTHERWISE SPECIFIED ALL DIMENSIONS IN INCHES INTERPRET DRAWING PER ASME Y14.5M-1994 TOLERANCES: .XX ± .03 .XXX ± .015 ANGLES ± 1° MATERIAL: FINISH:	TITLE: MASTER CONTROL SCHEMATIC RB2, W/MX2 CONTROL FOR: 97-361A CHASSIS	SIGNATURES: _____ DATE: _____	815 ALPHA DRIVE PITTSBURGH, PA 15238 550 BRIGHT STREET LISTONEL, ONTARIO M4W 3W3	
	THIS DRAWING AND ALL INFORMATION CONTAINED HEREIN, IS THE PROPERTY OF BENSRAW INC., AND MAY NOT BE REPRODUCED, OR DIVULGED TO UNAUTHORIZED PERSONS WITHOUT THE EXPRESS WRITTEN CONSENT OF BENSRAW INC. IT IS PROVIDED SOLELY FOR THE CONVENIENCE OF THE USER AND SHALL BE RETURNED UPON REQUEST.			DRAWN: JMD 1/2/2008 ENGR: MSN 1/2/2008 MFG: _____ SIZE: D DWG NO. _____		REV 1
	SCALE: 1:1			SHEET 2 OF 2		
	SCH-700139-01			REV 1		