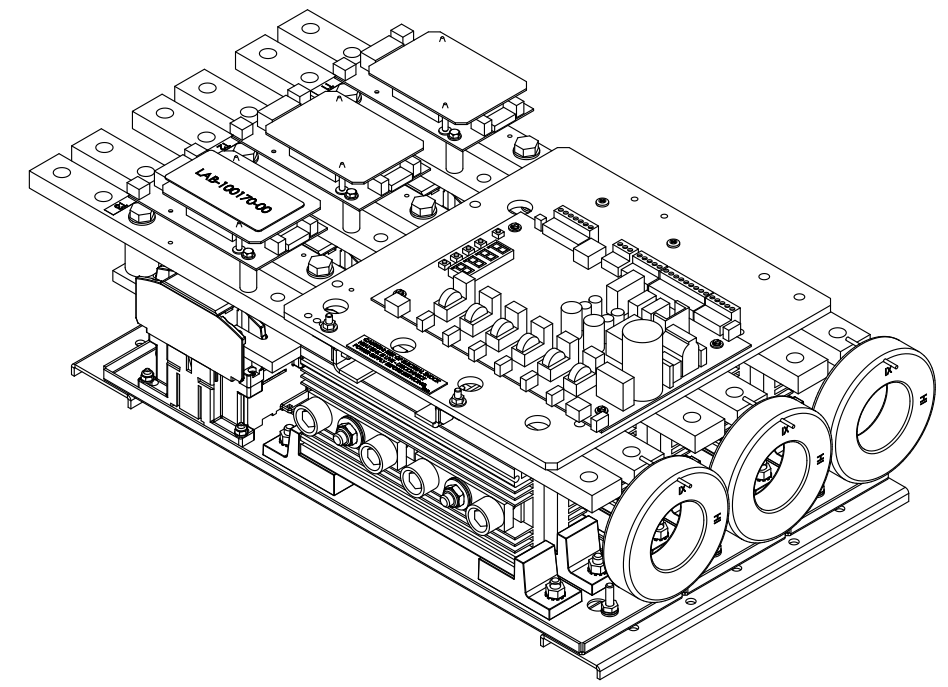
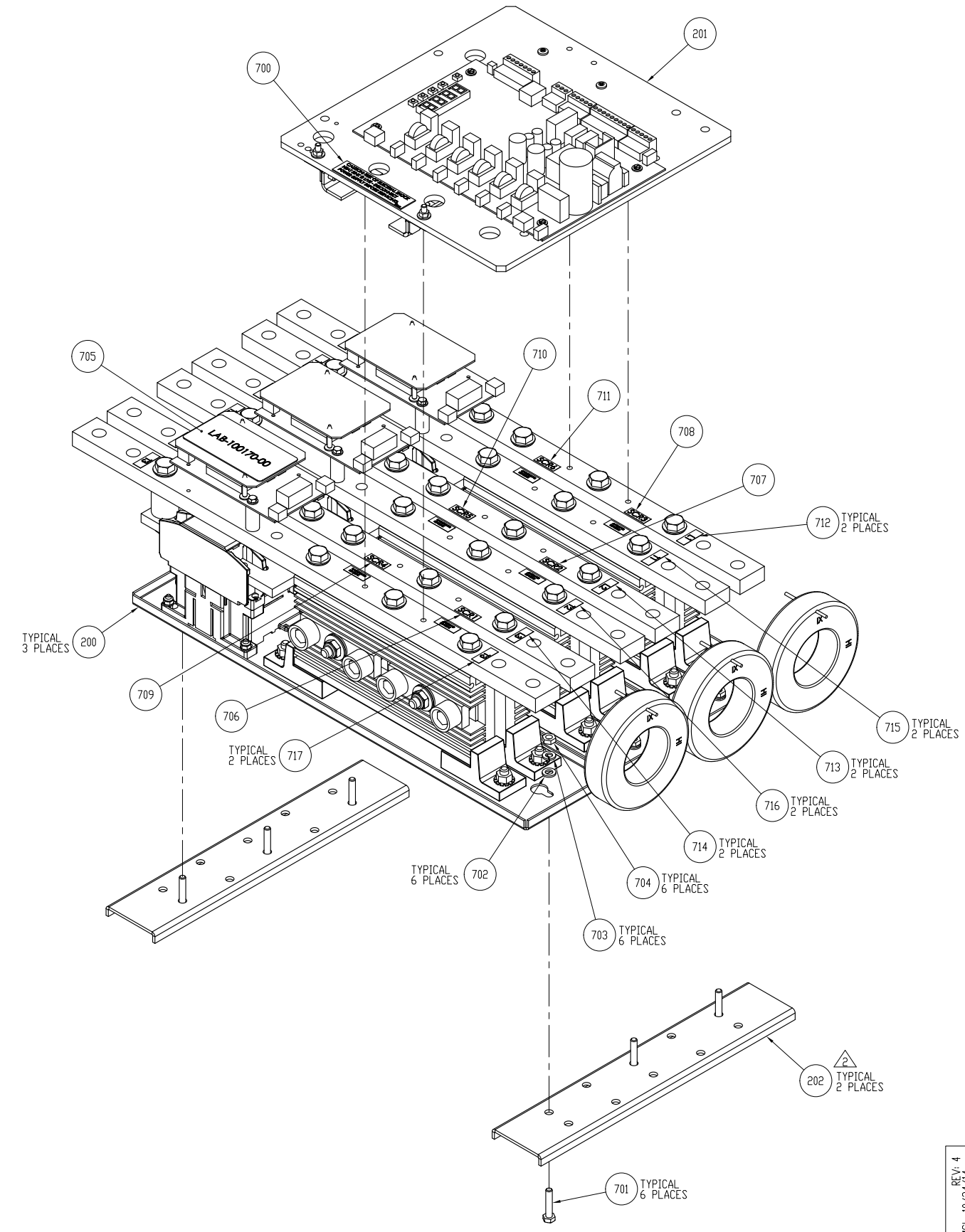


A
B
C
D
E
F
G
H
I
J
K
L
M
N



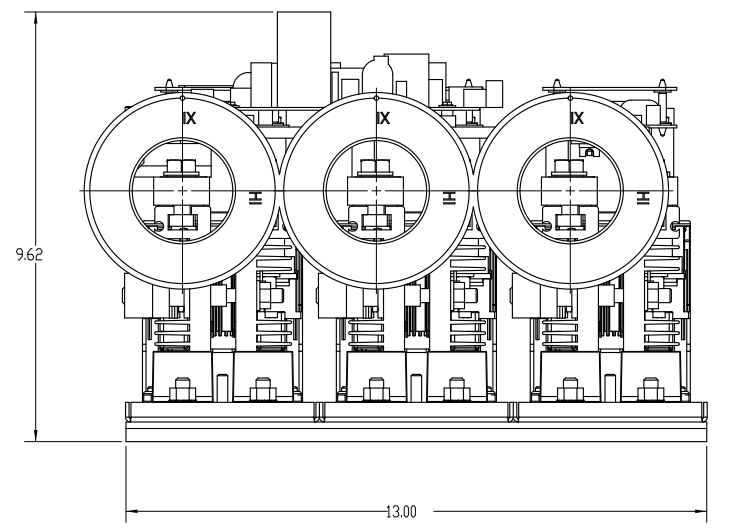
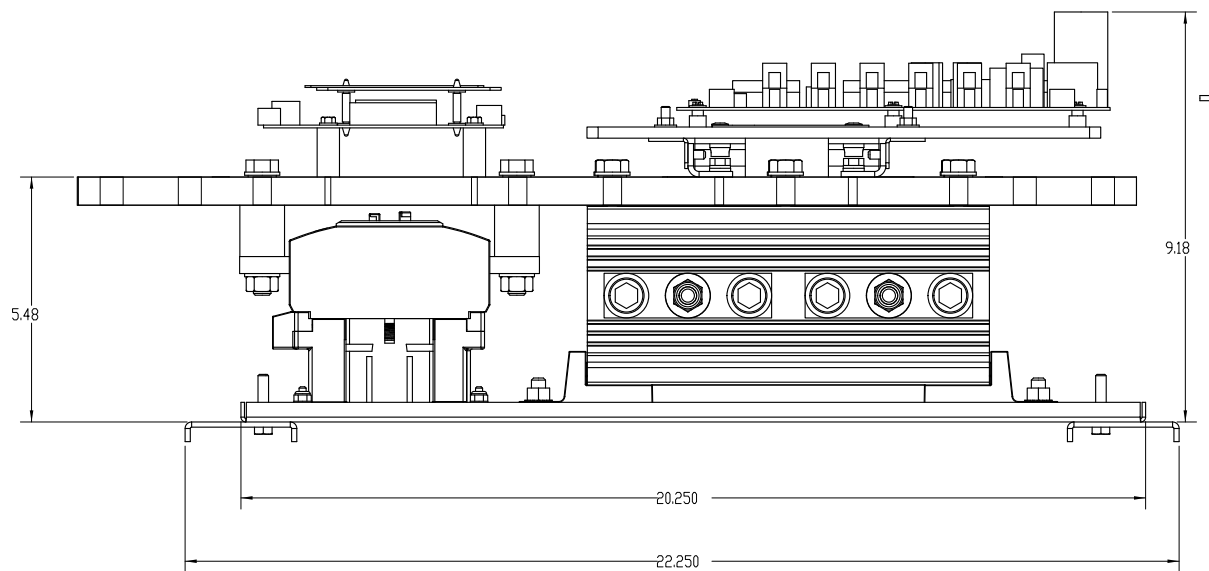
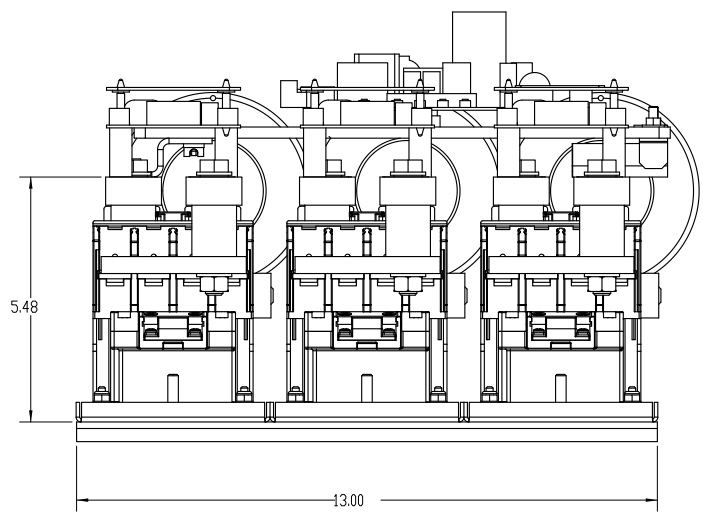
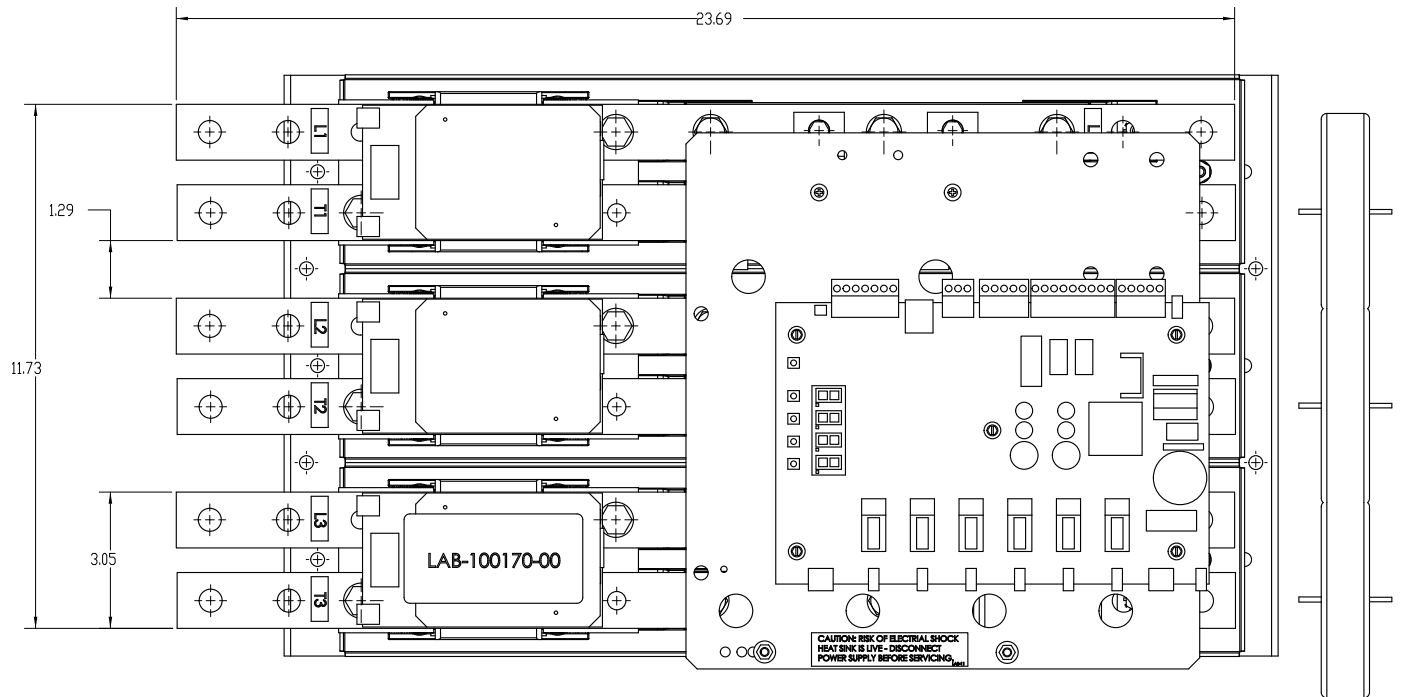
FULL ASSEMBLY

- NOTES:
- TIGHTEN ALL M6-1.00 BOLTS TO 6.77 Nm OR (5 FT LBS).
 - ITEM 202 WILL BE REMOVED FROM THE CHASSIS WHEN THE STARTER IS MOUNTED DIRECTLY TO A SUBPANEL OF AN ENCLOSURE. HARDWARE WILL BE DISCARDED.
 - ITEM 203 THRU 208 ARE NOT SHOWN.

REV: 4 APPD: MCL 10/24/14 CHGD: MCL 10/24/14 DESCRIPTION: REMOVE NEG QTY ITEMS FROM BOM	REV: 3 APPD: MSN 7/23/12 CHGD: JBP 7/23/12 DESCRIPTION: REVISIONS TO PART NUMBER WITH POWER LOCATION ASSEMBLY	THIRD ANGLE PROJECTION	UNLESS OTHERWISE SPECIFIED ALL DIMENSION IN INCHES INTERPRET DRAWING PER ASME Y14.5M-1994	SIGNATURES		DATE	TITLE: RB2 361 AMP CHASSIS STANDARD FAULT 30KA MAX 361A DD/560A TD NOMINAL 415A DD/643A ID @115% 600V MAX	605 ALPINE DRIVE PETERBORO, PA 15201 PHONE 412-242-0100 500 BROAD ST. E. LEBANON, OHIO 43033	SIZE D	DWG NO. CH-440141-00	REV 4
		THIS DRAWING AND ALL INFORMATION CONTAINS HEREIN, IS THE PROPERTY OF BENSHAW INC., AND IS DIVULGED TO UNAUTHORIZED PERSONS WITHOUT THE EXPRESS WRITTEN CONSENT OF BENSHAW INC. CONVENIENCE OF THE USER AND SHALL BE RETURNED UPON REQUEST.		DRWN. RBM CHKD. ENG. MSN MFG.	10/23/06 11/16/06	SCALE: 1/2"=1"					

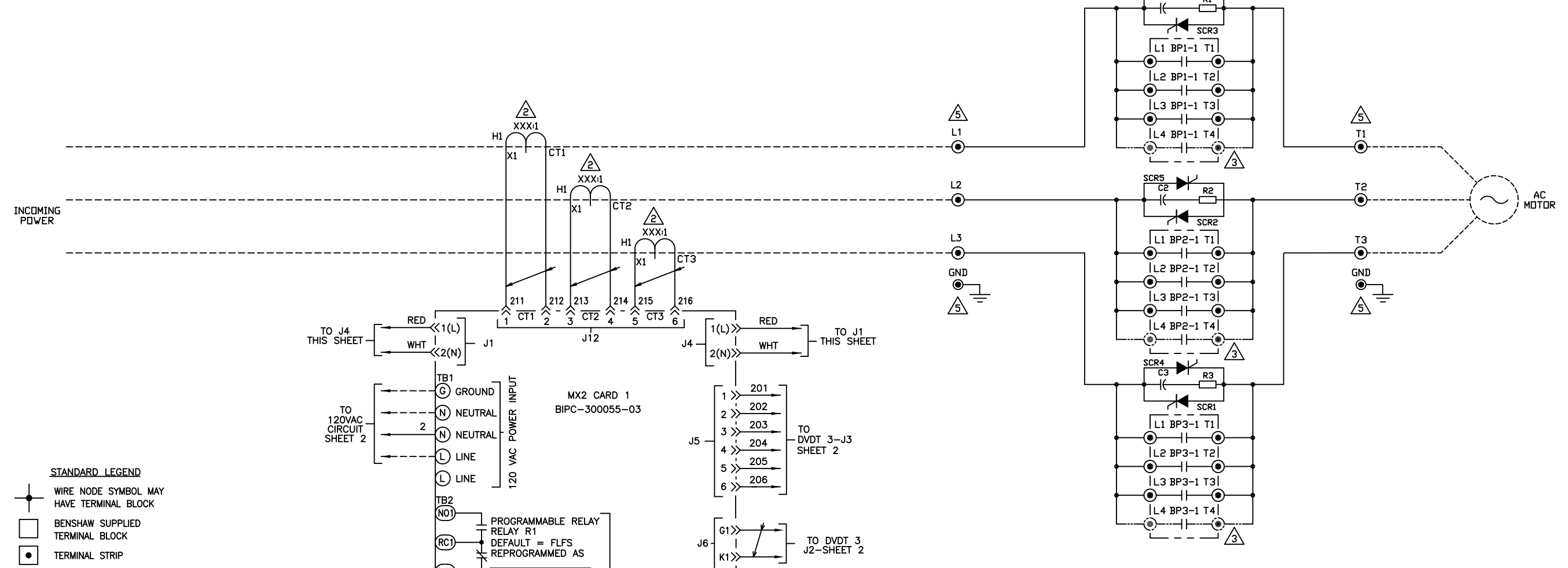
CH-440141-00

A
B
C
D
E
F
G
H
I
J
K
L
M
N



DO NOT SCALE DIM	THIRD ANGLE PROJECTION	UNLESS OTHERWISE SPECIFIED ALL DIMENSION IN INCHES INTERPRET DRAWING PER ASME Y14.5M-1994 TOLERANCES: X ± 1/8 ANGLES ± 1° XX ± .03 XXX ± .015 MATERIAL: FINISH:	SIGNATURES	DATE	TITLE: RB2 361 AMP CHASSIS STANDARD FAULT 30KA MAX 361A DD/560A ID NOMINAL 415A DD/643A ID @115Z 600V MAX		<small>605 ALPINE DRIVE PETERBORO, PA 15201 PHONE 412-242-0200</small> <small>500 BROAD ST. E. LITTLETON, COLORADO 80120</small>	
	THIS DRAWING AND ALL INFORMATION CONTAINS HEREIN IS THE PROPERTY OF BENSHAW INC. AND IS NOT TO BE REPRODUCED OR TRANSMITTED IN ANY FORM OR BY ANY MEANS WITHOUT THE EXPRESS WRITTEN CONSENT OF BENSHAW INC. CONVENIENCE OF THE USER AND SHALL BE RETURNED UPON REQUEST.		DRWN. RBM	10/23/06				SCALE: 1/24 SHEET: 2 OF 2
			CHKD.					
			ENG. MSN	11/16/06				
MFG.			SIZE: D DWG NO: CH-440141-00 REV: 4					

10-661004-HJS
ON DIM



- STANDARD LEGEND**
- WIRE NODE SYMBOL MAY HAVE TERMINAL BLOCK
 - BENSCHAW SUPPLIED TERMINAL BLOCK
 - TERMINAL STRIP
 - ⊙ POWER CONNECTION
 - PC BOARD TERMINALS
 - ↔ TWISTED PAIR
 - ↔ TWISTED SHIELDED PAIR
 - || SHIELDED WIRE
 - - - FIELD WIRING

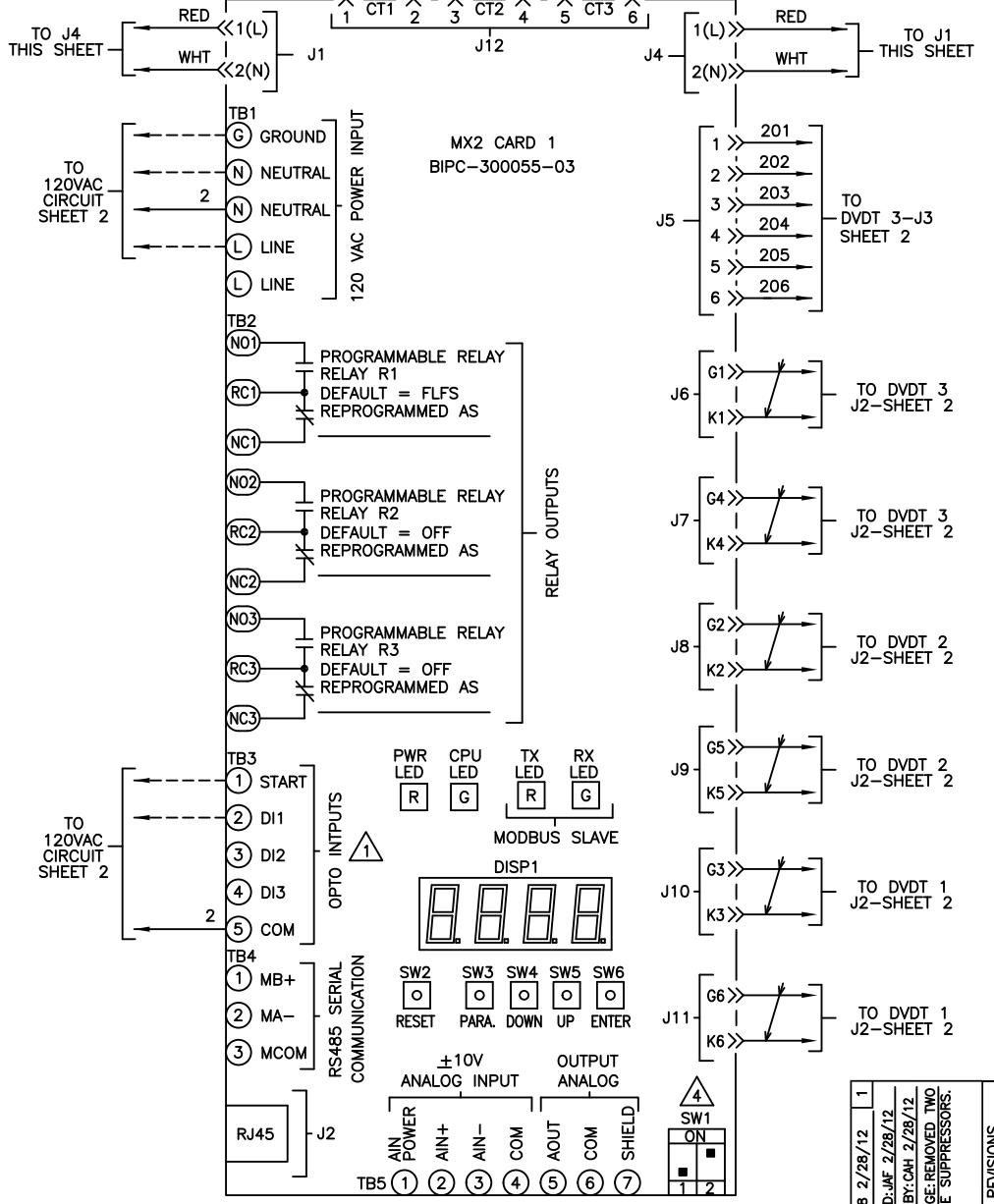


CHART 1

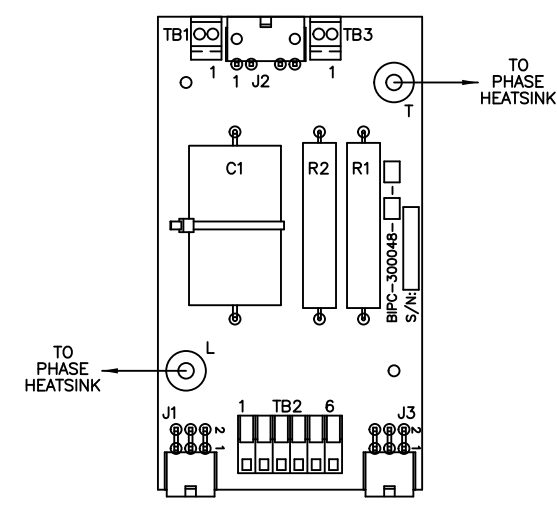
TIGHTENING TORQUE SPECIFICATIONS FOR SOCKET HEAD SCREWS

SOCKET SIZE ACROSS FLATS (INCHES)	TORQUE POUNDS-INCHES
1/4	200
5/16	275
3/8	375
1/2	500

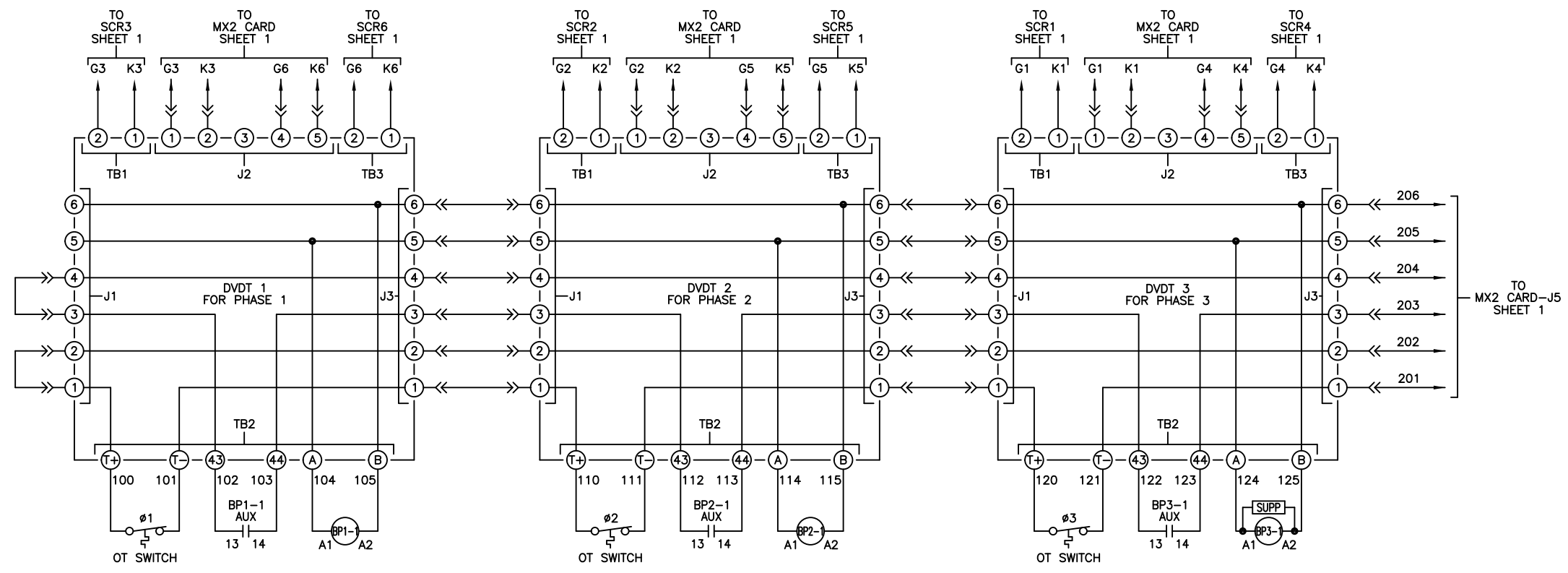
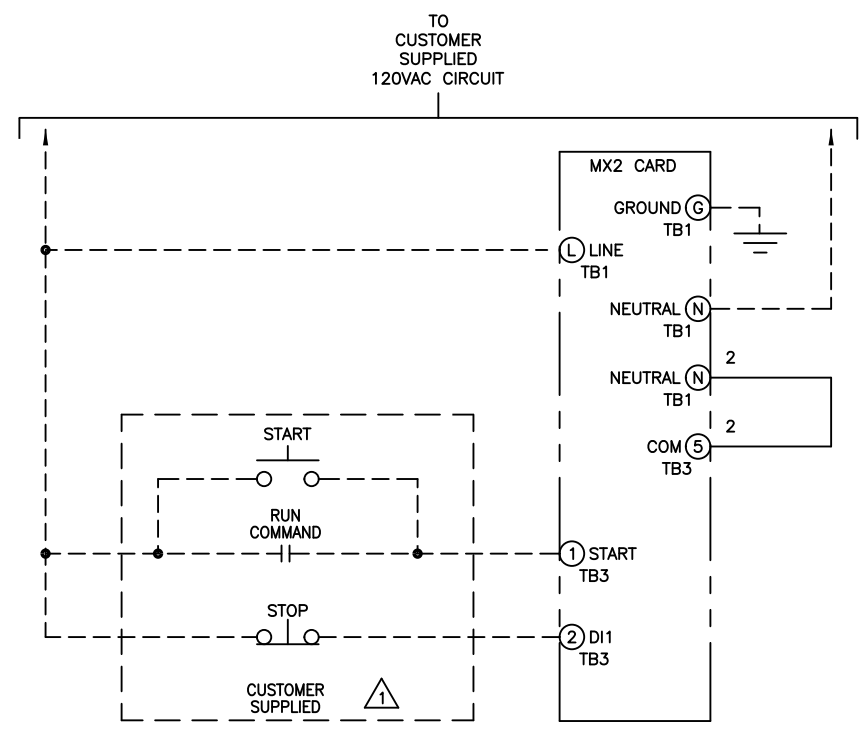
- NOTES:**
- ① SELECT EITHER THREE OR TWO WIRE CONTROL.
 - ② FOR 97-156A UNITS, PROGRAM (P78), FUN (03), CT RATIO = 864:1
FOR 157-361A UNITS, PROGRAM (P78), FUN (03), CT RATIO = 2640:1
 - ③ L4/T4 CONTACTOR POLE IS ONLY ON 361A UNITS
 - ④ SW1-1: (ANALOG INPUT) UP = CURRENT, DOWN = VOLTAGE
SW1-2: (ANALOG OUTPUT) UP = VOLTAGE, DOWN = CURRENT
 - ⑤ TIGHTEN POWER AND GROUND LUG FIELD WIRING CONNECTIONS TO CHART 1 SPECIFICATIONS. IF BREAKER IS SUPPLIED ON LINE SIDE OF STACK USE TORQUE VALUES ON BREAKER.

1 E3488 2/28/12 APPR: JAF 2/28/12 CHG BY: CAH 2/28/12 CHANGE REMOVED TWO SURGE SUPPRESSORS.	REVISIONS DO NOT SCALE DWG	THIRD ANGLE PROJECTION THIS DRAWING AND ALL INFORMATION CONTAINED HEREIN, IS THE PROPERTY OF BENSCHAW INC., AND MAY NOT BE REPRODUCED, OR DIVULGED TO UNAUTHORIZED PERSONS WITHOUT THE EXPRESS WRITTEN CONSENT OF BENSCHAW INC. IT IS PROVIDED SOLELY FOR THE CONVENIENCE OF THE USER AND SHALL BE RETURNED UPON REQUEST.	UNLESS OTHERWISE SPECIFIED ALL DIMENSIONS IN INCHES INTERPRET DRAWING PER ASME Y14.5M-1994 TOLERANCES: .XX ± .03 .XXX ± .015 ANGLES ± 1° MATERIAL: FINISH:	TITLE: MASTER POWER SCHEMATIC RB2, W/MX2 CONTROL FOR: 97-361A CHASSIS	SIGNATURES: JMD DATE: 1/2/2008	815 ALPHA DRIVE PITTSBURGH, PA 15238 550 BRIGHT STREET LISTONEL, ONTARIO M4W 3W3
					CHG: MSN DATE: 1/2/2008	
					MFG: MSN DATE: 1/2/2008	
					SIZE: D DWG NO.: SCH-700139-01 REV: 1	
SCALE: 1:1					SHEET 1 OF 2	

10-661004-HJS



- STANDARD LEGEND**
- WIRE NODE SYMBOL MAY HAVE TERMINAL BLOCK
 - BENSCHAW SUPPLIED TERMINAL BLOCK
 - TERMINAL STRIP
 - ⊙ POWER CONNECTION
 - PC BOARD TERMINALS
 - TWISTED PAIR
 - TWISTED SHIELDED PAIR
 - SHIELDED WIRE
 - - - FIELD WIRING



REVISIONS DO NOT SCALE DWG	THIRD ANGLE PROJECTION	UNLESS OTHERWISE SPECIFIED ALL DIMENSIONS IN INCHES INTERPRET DRAWING PER ASME Y14.5M-1994 TOLERANCES: .XX ± .03 .XXX ± .015 ANGLES ± 1° MATERIAL: FINISH:	TITLE: MASTER CONTROL SCHEMATIC RB2, W/MX2 CONTROL FOR: 97-361A CHASSIS	SIGNATURES: JMD DATE: 1/2/2008	815 ALPHA DRIVE PITTSBURGH, PA 15238 550 BRIGHT STREET LISTONEL, ONTARIO M4W 3N3	
	THIS DRAWING AND ALL INFORMATION CONTAINED HEREIN, IS THE PROPERTY OF BENSCHAW INC., AND MAY NOT BE REPRODUCED, OR DIVULGED TO UNAUTHORIZED PERSONS WITHOUT THE EXPRESS WRITTEN CONSENT OF BENSCHAW INC. IT IS PROVIDED SOLELY FOR THE CONVENIENCE OF THE USER AND SHALL BE RETURNED UPON REQUEST.		ENG: MSN DATE: 1/2/2008	DWG NO.: SCH-700139-01		REV: 1
	SCALE: 1:1		SHEET 2 OF 2	REV: 1		REV: 1
	SCALE: 1:1		SHEET 2 OF 2	REV: 1		REV: 1