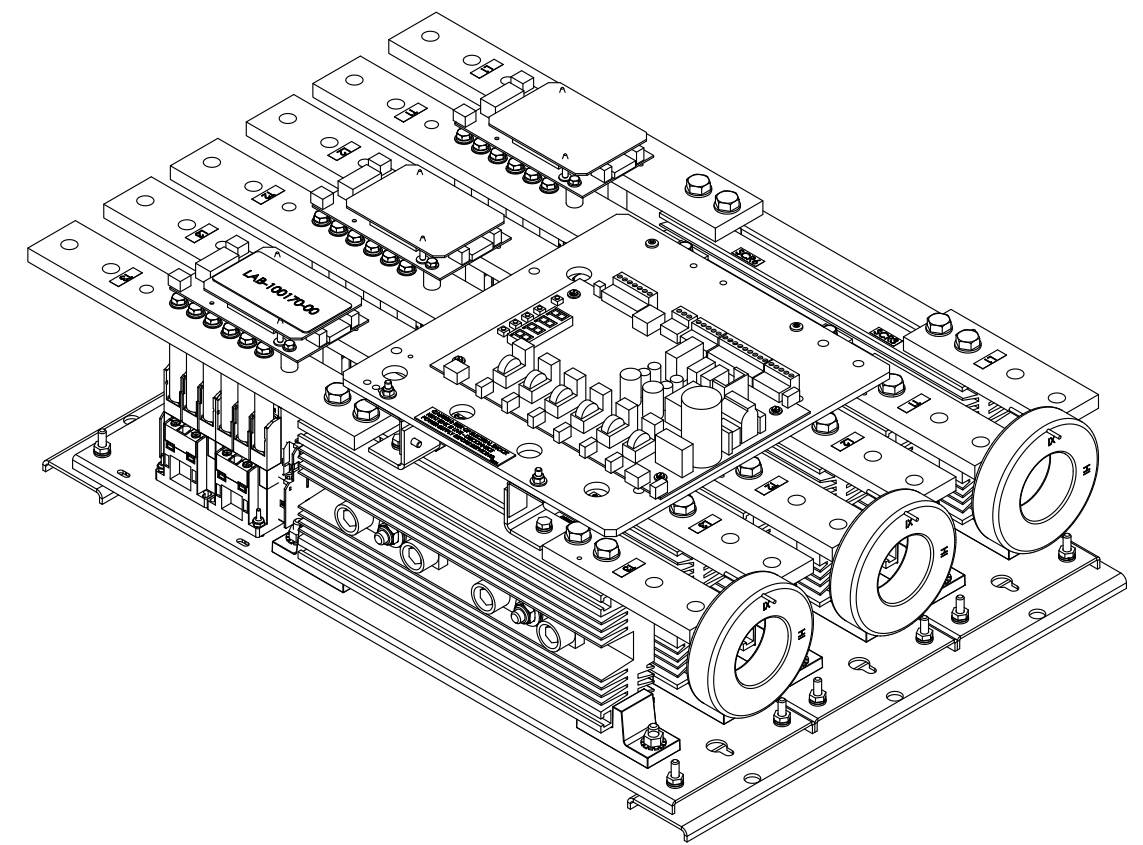
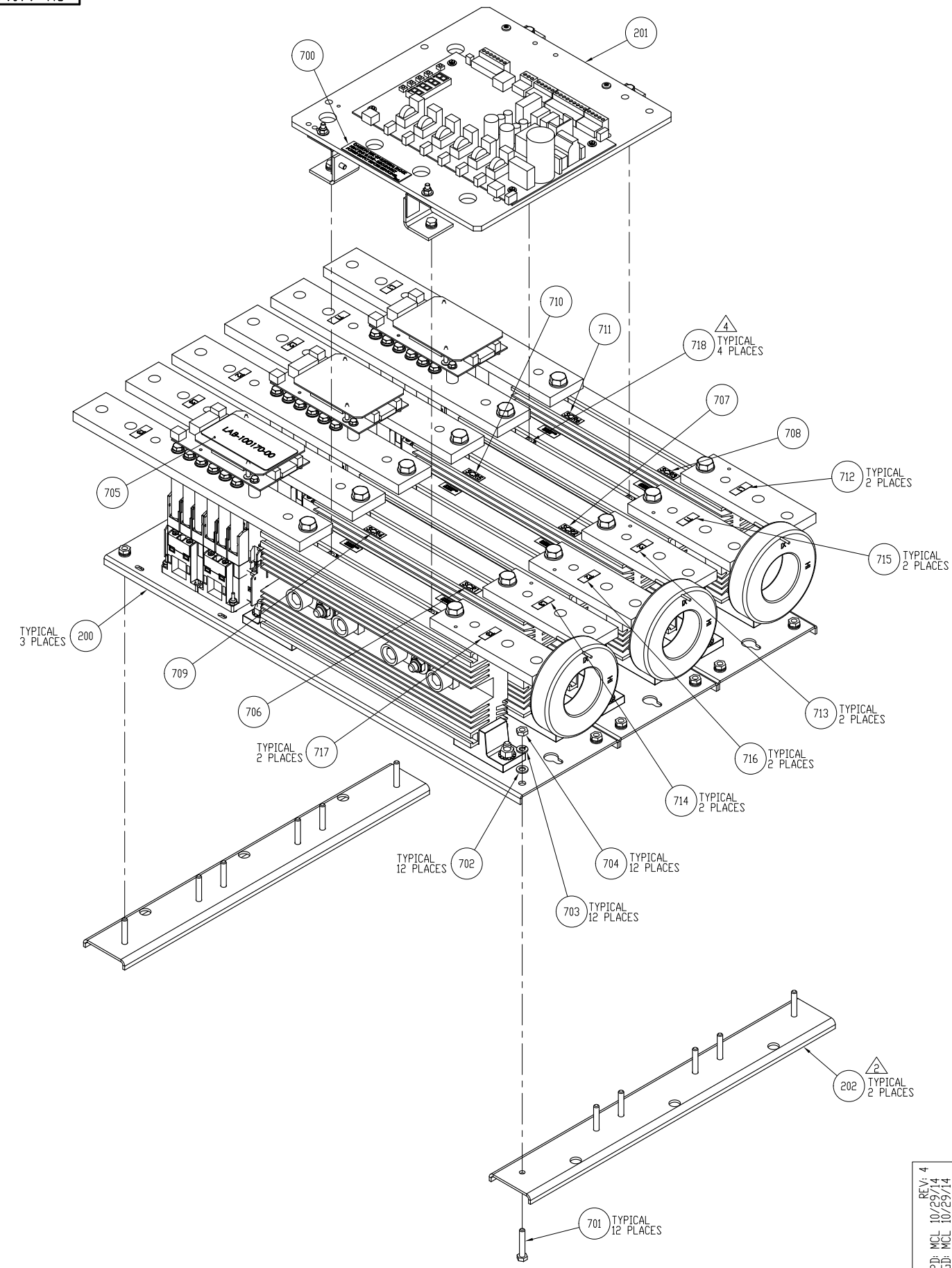


A
B
C
D
E
F
G
H
I
J
K
L
M
N

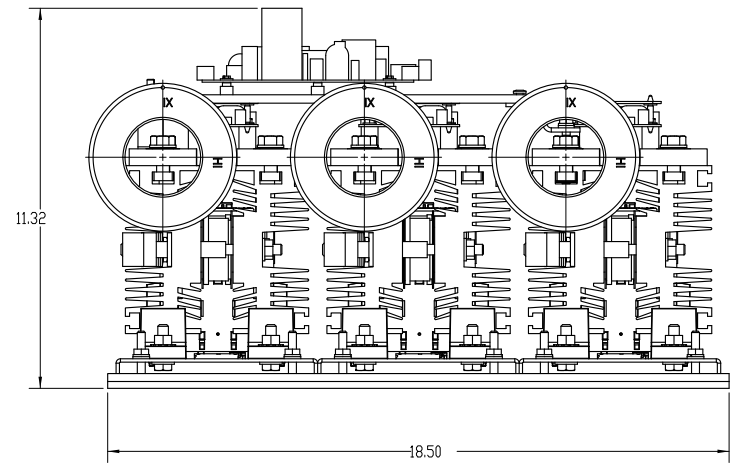
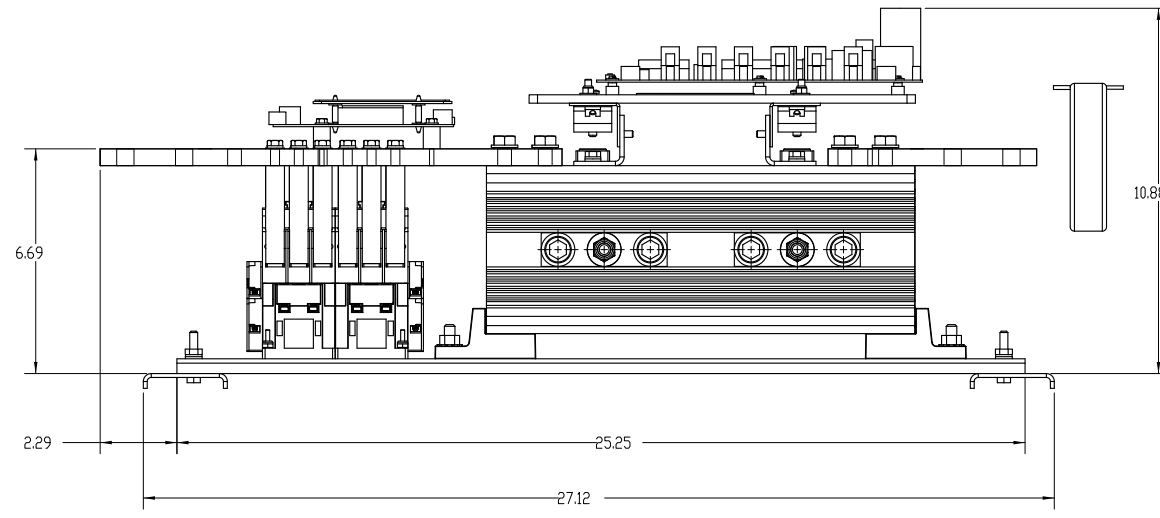
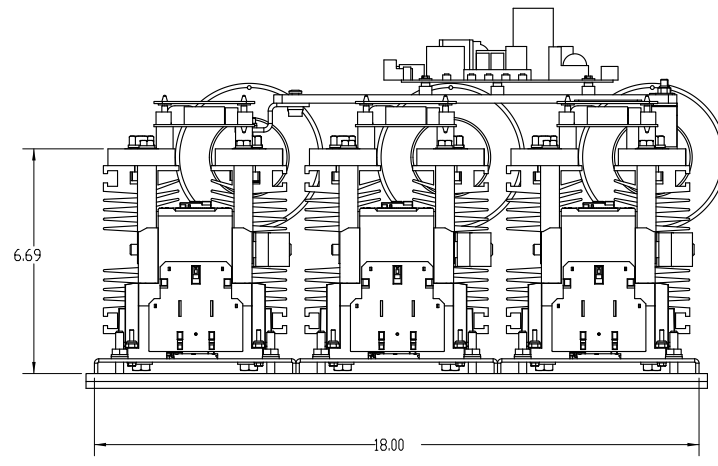
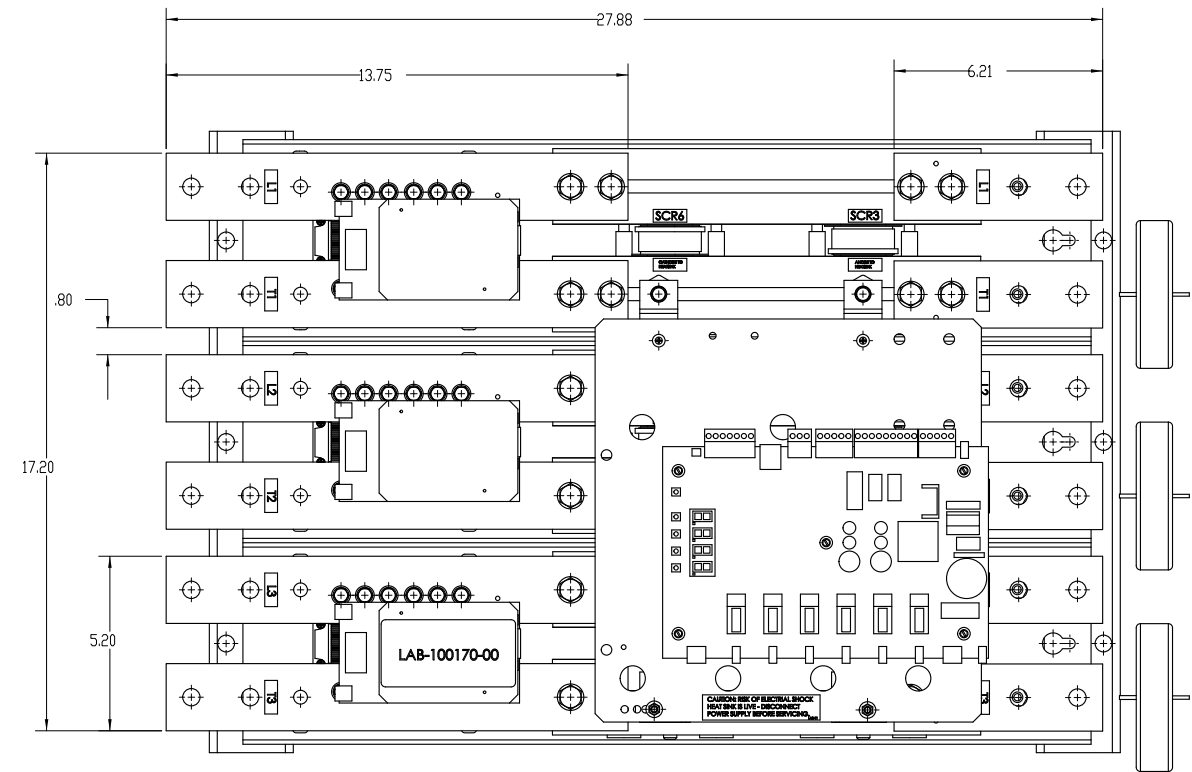


FULL ASSEMBLY

- NOTES:
- TIGHTEN ALL M6-1.00 BOLTS TO 6.77 Nm OR (5 FT LBS).
 - ITEM 202 WILL BE REMOVED FROM THE CHASSIS WHEN THE STARTER IS MOUNTED DIRECTLY TO A SUBPANEL OF A ENCLOSURE. HARDWARE WILL BE DISCARDED.
 - ITEM 203 THRU 208 ARE NOT SHOWN.
 - ITEM 718 M6-1.00 SQUARE WELD NUT IS TO BE INSERTED INTO THE HEATSINK CHANNEL TO WORK IN SECURING THE MX2 CARD ITEM 201 TO THE HEATSINK. YOU WILL HAVE TO REMOVE (2) BUSS TAB FOR THIS TO WORK.

REV: 4 APPD: MCL 10/29/14 CHGD: MCL 10/29/14 DESCRIPTION: REMOVE NEG QTY ITEMS FROM BOM	REV: 3 APPD: MSN 7/23/2012 CHGD: JBP 7/23/2012 DESCRIPTION: UPDATE BUSHING PART NUMBER WITH PTO AFTER SECTION ASSEMBLY CHANGES.	REV: 1 ECO: E3527 5/3/2012 APPD: MSN 5/3/2012 CHGD: JBP 5/3/2012 DESCRIPTION: UPDATE DRAWING TO AGREE WITH DETAIL CHANGE.	THIRD ANGLE PROJECTION		UNLESS OTHERWISE SPECIFIED ALL DIMENSION IN INCHES INTERPRET DRAWING PER ASME Y14.5M-1994	SIGNATURES		DATE		TITLE: RB2 414 AMP CHASSIS STANDARD FAULT 42KA MAX 414A DD/596A ID NOMINAL 476A DD/685A ID 0115Z 600V MAX	605 ALPINE DRIVE PETERBORO, PA 15201 PHONE 482-940-0000 500 BROAD ST. E. LEBANON, OHIO 43045 MW 303			
			THIS DRAWING AND ALL INFORMATION CONTAINS HEREIN, IS THE PROPERTY OF BENSHAW INC., AND DIVULGED TO UNAUTHORIZED PERSONS WITHOUT THE EXPRESS WRITTEN CONSENT OF BENSHAW INC. CONVENIENCE OF THE USER AND SHALL BE RETURNED UPON REQUEST.			TOLERANCES: X ± 1/8 XX ± .03 XXX ± .015	DRWN.	DWN.	DWN_DATE			CHKD.	CHK.	CHK_DATE
			DO NOT SCALE DWG			MATERIAL:	ENG.	ENG.	ENG_DATE			MFG.		
						FINISH:								
										SIZE: D DWG NO: CH-440142-00 SCALE: 3/8:1 SHEET: 1 OF 2	REV: 4			

A
B
C
D
E
F
G
H
I
J
K
L
M
N



DO NOT SCALE DWG	THIRD ANGLE PROJECTION	UNLESS OTHERWISE SPECIFIED ALL DIMENSION IN INCHES INTERPRET DRAWING PER ASME Y14.5M-1994 TOLERANCES: X ± 1/8 ANGLES ± 1° XX ± .03 XXX ± .015 MATERIAL: FINISH	SIGNATURES		DATE	TITLE: RB2-1-S-414A-17C CHASSIS STANDARD FAULT 42KA MAX 414A DD/596A ID NOMINAL 476A DD/685A ID @115% 600V MAX	BENSHAW <small>605 ALPAC DRIVE PITTSBURGH, PA 15201 PHONE 412-940-0100 500 BROAD ST. E. LITTLETON, COLORADO 80120</small>	SIZE	DWG NO.	REV		
	THIS DRAWING AND ALL INFORMATION CONTAINS HEREIN IS THE PROPERTY OF BENSHAW INC. AND IS NOT TO BE REPRODUCED OR TRANSMITTED IN ANY FORM OR BY ANY MEANS, ELECTRONIC OR MECHANICAL, INCLUDING PHOTOCOPYING, RECORDING, OR BY ANY INFORMATION STORAGE AND RETRIEVAL SYSTEM, WITHOUT THE EXPRESS WRITTEN CONSENT OF BENSHAW INC. CONVENIENCE OF THE USER AND SHALL BE RETURNED UPON REQUEST.		DRWN.	DWN.	DWN_DATE			D	CH-440142-00	4		
			CHKD.	CHK.	CHK_DATE			SCALE: 3/8:1		SHEET: 2 OF 2		
			ENG.	ENG.	ENG_DATE							

A
B
C
D
E
F
G
H
I
J
K
L
M
N

60-661004-HJS

- STANDARD LEGEND**
- WIRE NODE SYMBOL MAY HAVE TERMINAL BLOCK
 - BENSRAW SUPPLIED TERMINAL BLOCK
 - TERMINAL STRIP
 - POWER CONNECTION
 - PC BOARD TERMINALS
 - TWISTED PAIR
 - TWISTED SHIELDED PAIR
 - SHIELDED WIRE
 - FIELD WIRING

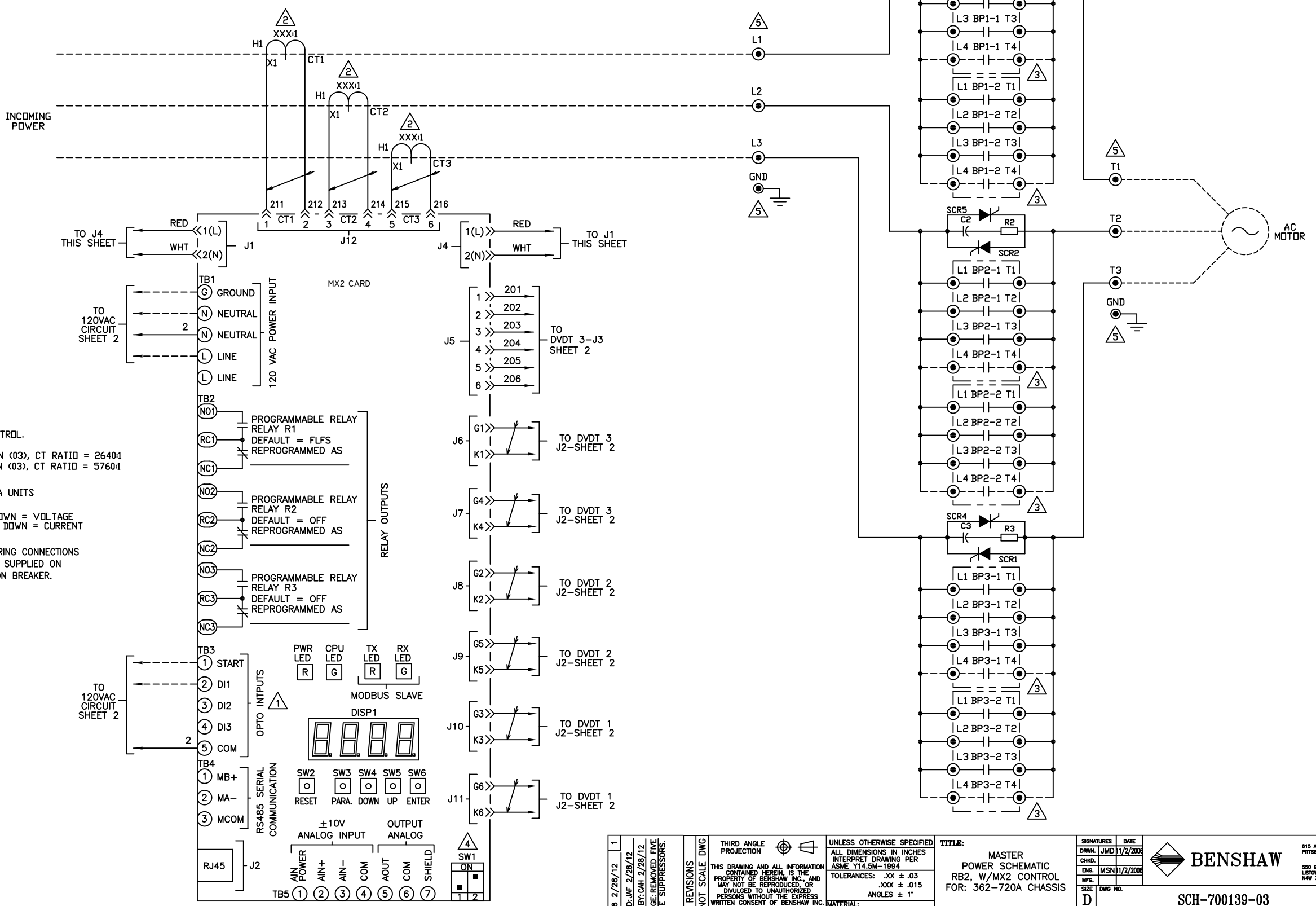
NOTES:

- ① SELECT EITHER THREE OR TWO WIRE CONTROL.
- ② FOR 362-414A UNITS, PROGRAM (P78), FUN (03), CT RATIO = 2640:1
FOR 415-720A UNITS, PROGRAM (P78), FUN (03), CT RATIO = 5760:1
- ③ L4/T4 CONTACTOR POLE IS ONLY ON 720A UNITS
- ④ SW1-1: (ANALOG INPUT) UP = CURRENT, DOWN = VOLTAGE
SW1-2: (ANALOG OUTPUT) UP = VOLTAGE, DOWN = CURRENT
- ⑤ TIGHTEN POWER AND GROUND LUG FIELD WIRING CONNECTIONS TO CHART 1 SPECIFICATIONS. IF BREAKER IS SUPPLIED ON LINE SIDE OF STACK USE TORQUE VALUES ON BREAKER.

CHART 1

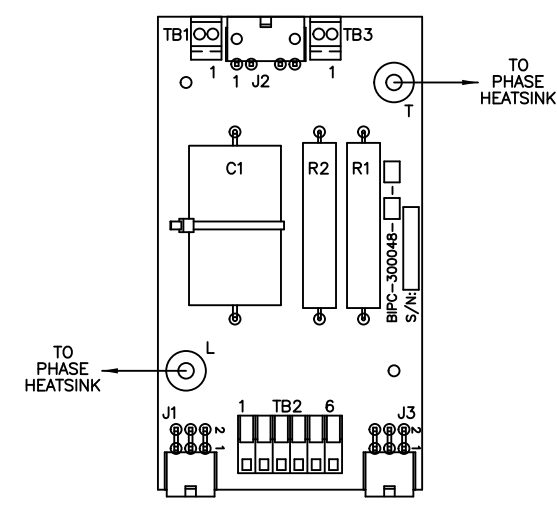
TIGHTENING TORQUE SPECIFICATIONS FOR SOCKET HEAD SCREWS

SOCKET SIZE ACROSS FLATS (INCHES)	TORQUE POUNDS-INCHES
1/4	200
5/16	275
3/8	375
1/2	500

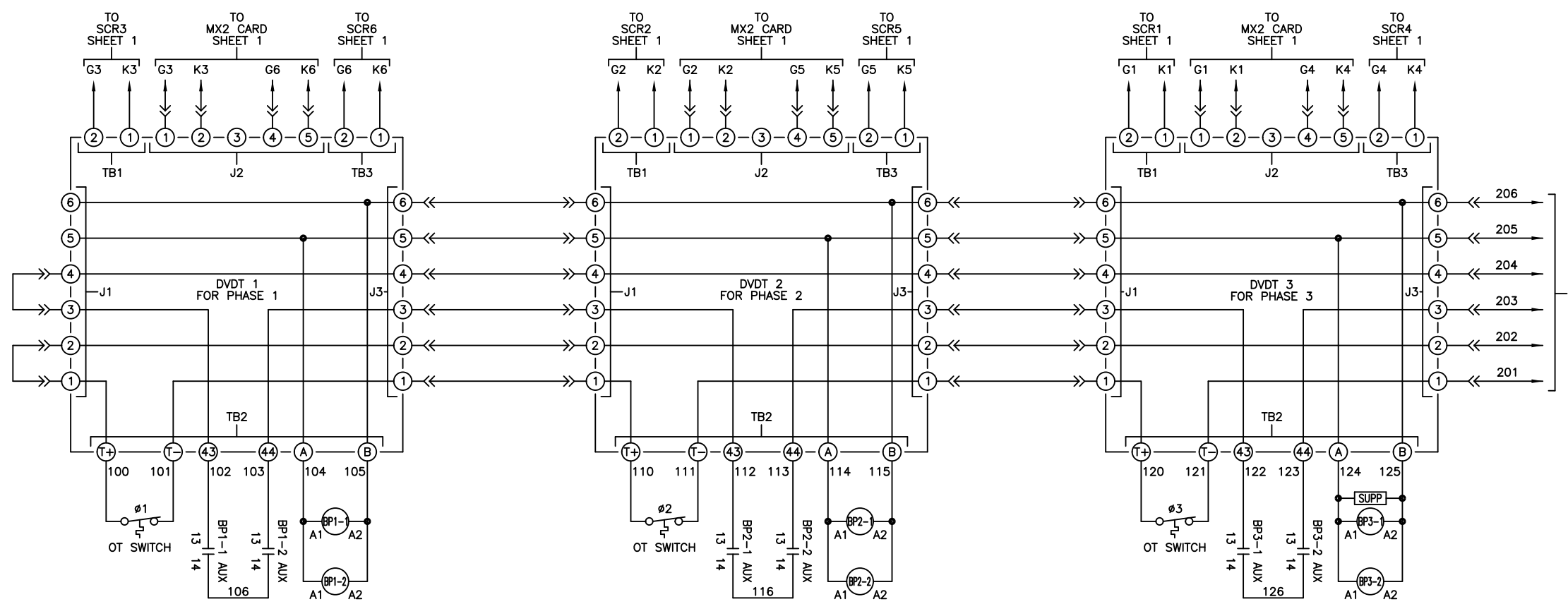
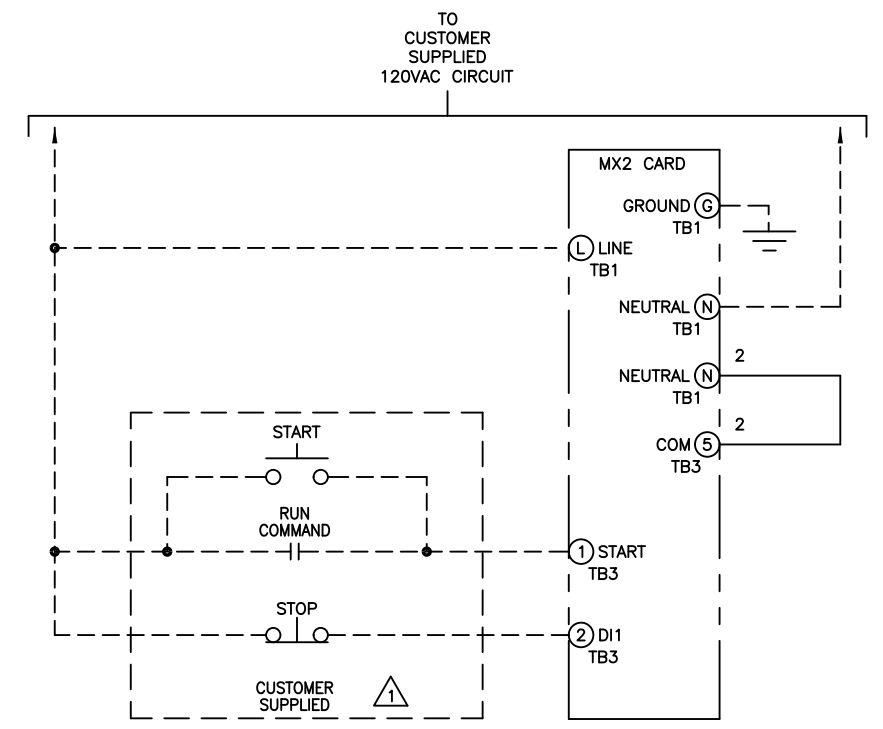


E3488 2/28/12 APPR: JMD 2/28/12 CHG BY: CAH 2/28/12 CHANGE: REMOVED FIVE SURGE SUPPRESSORS.	REVISIONS DO NOT SCALE DWG	THIRD ANGLE PROJECTION THIS DRAWING AND ALL INFORMATION CONTAINED HEREIN IS THE PROPERTY OF BENSRAW INC., AND MAY NOT BE REPRODUCED, OR DIVULGED TO UNAUTHORIZED PERSONS WITHOUT THE EXPRESS WRITTEN CONSENT OF BENSRAW INC. IT IS PROVIDED SOLELY FOR THE CONVENIENCE OF THE USER AND SHALL BE RETURNED UPON REQUEST.	UNLESS OTHERWISE SPECIFIED ALL DIMENSIONS IN INCHES INTERPRET DRAWING PER ASME Y14.5M-1994 TOLERANCES: .XX ± .03 .XXX ± .015 ANGLES ± 1°	TITLE: MASTER POWER SCHEMATIC RB2, W/MX2 CONTROL FOR: 362-720A CHASSIS	SIGNATURES: JMD DATE: 1/2/2008 ENG: MSN DATE: 1/2/2008 MFG: MSN DATE: 1/2/2008 SIZE: D DWG NO.: SCH-700139-03 SCALE: 1:1	815 ALPHA DRIVE PITTSBURGH, PA 15238 550 BRIGHT STREET LISTONEL, ONTARIO M4W 3W3
	BENSRAW			REV 1		
	SHEET 1 OF 2			REV 1		
	SHEET 1 OF 2			REV 1		

60-661004-HJS



- STANDARD LEGEND**
- WIRE NODE SYMBOL MAY HAVE TERMINAL BLOCK
 - BENSCHAW SUPPLIED TERMINAL BLOCK
 - TERMINAL STRIP
 - POWER CONNECTION
 - PC BOARD TERMINALS
 - TWISTED PAIR
 - TWISTED SHIELDED PAIR
 - SHIELDED WIRE
 - FIELD WIRING



REVISIONS DO NOT SCALE DWG	THIRD ANGLE PROJECTION	UNLESS OTHERWISE SPECIFIED ALL DIMENSIONS IN INCHES INTERPRET DRAWING PER ASME Y14.5M-1994 TOLERANCES: .XX ± .03 .XXX ± .015 ANGLES ± 1° MATERIAL: FINISH:	TITLE: MASTER CONTROL SCHEMATIC RB2, W/MX2 CONTROL FOR: 362-720A CHASSIS	SIGNATURES: JMD DATE: 11/2/2008	815 ALPHA DRIVE PITTSBURGH, PA 15238 550 BRIGHT STREET LISTONEL, ONTARIO M4W 3W3	
	THIS DRAWING AND ALL INFORMATION CONTAINED HEREIN IS THE PROPERTY OF BENSCHAW INC., AND MAY NOT BE REPRODUCED, OR DIVULGED TO UNAUTHORIZED PERSONS WITHOUT THE EXPRESS WRITTEN CONSENT OF BENSCHAW INC. IT IS PROVIDED SOLELY FOR THE CONVENIENCE OF THE USER AND SHALL BE RETURNED UPON REQUEST.		ENG: MSN DATE: 11/2/2008	DWG NO.: SCALE: 1:1		REV: 1
	SCALE: 1:1		SHEET 2 OF 2	SCH-700139-03		
	DO NOT SCALE DWG		SHEET 2 OF 2	REV 1		