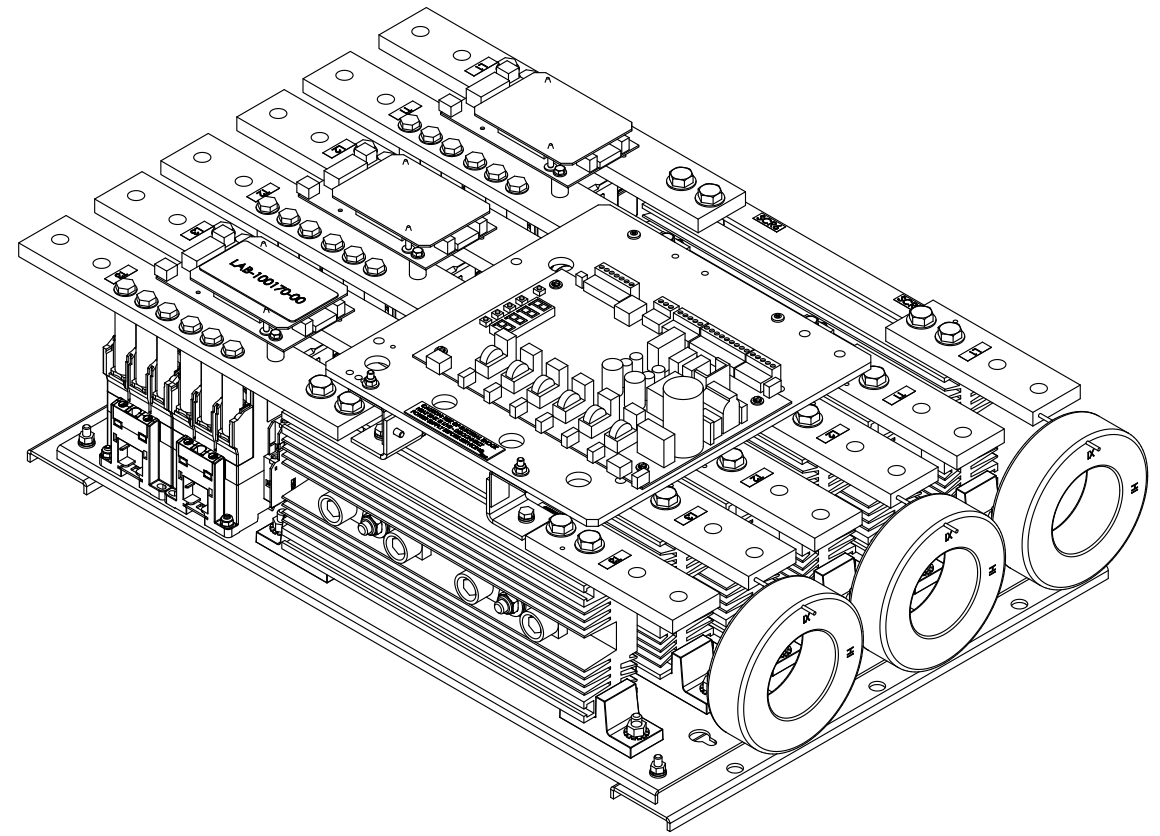
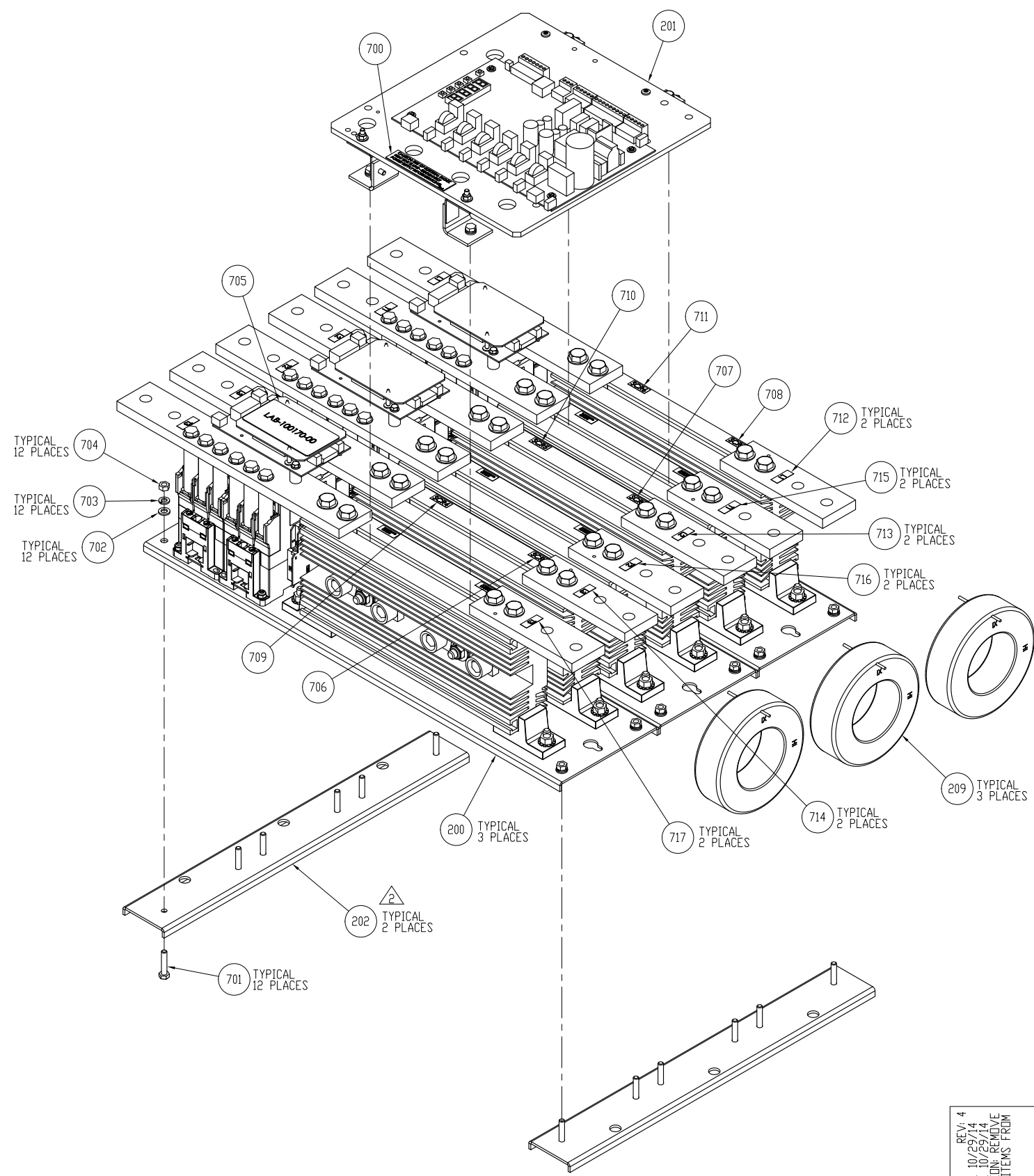


A  
B  
C  
D  
E  
F  
G  
H  
I  
J  
K  
L  
M  
N



FULL ASSEMBLY

INSTALLATION NOTE:  
 TY-WRAP CT'S TO BUSS BAR AT END OF CHASSIS AS SHOWN. LEAVE ENOUGH WIRE TO BE ABLE TO MOUNT THE CT AT THE HEATSINK END OF THE CHASSIS. DO NOT SECURE CT WIRES TO THE PANEL OR CHASSIS.

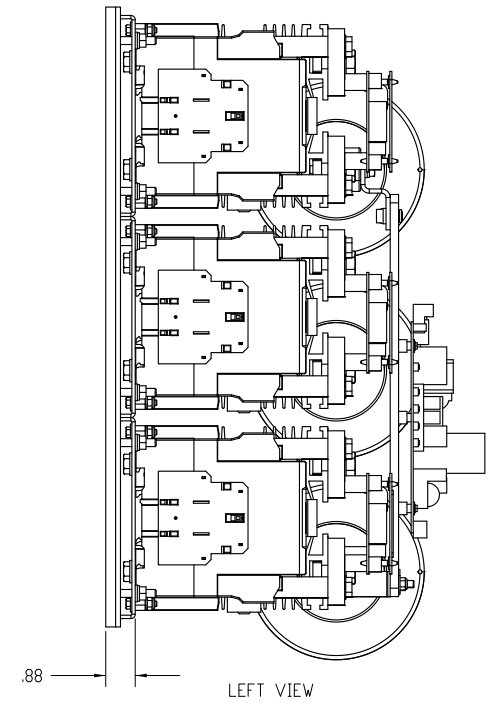
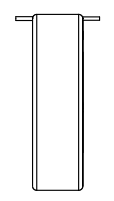
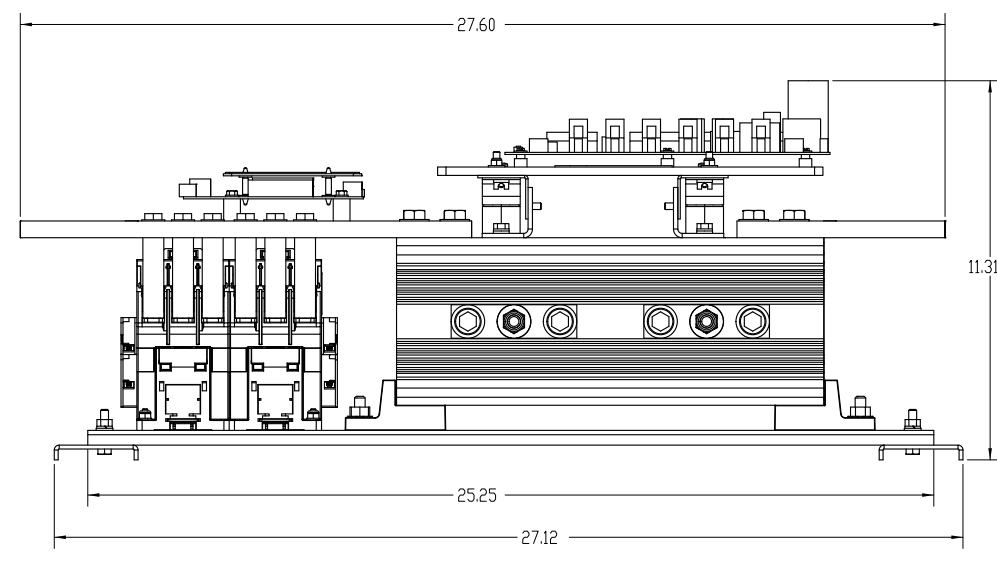
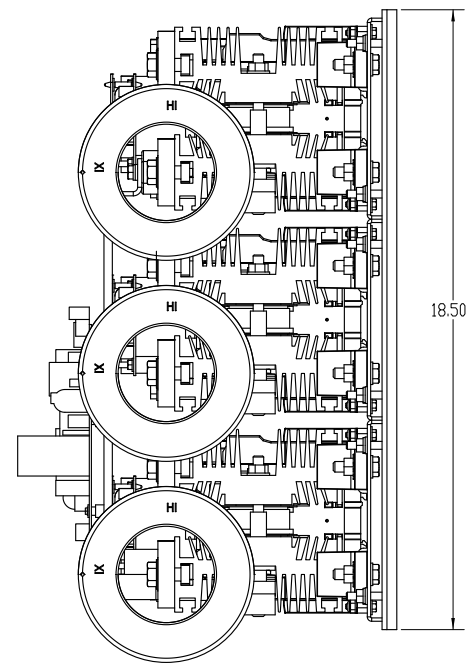
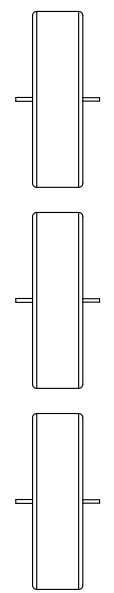
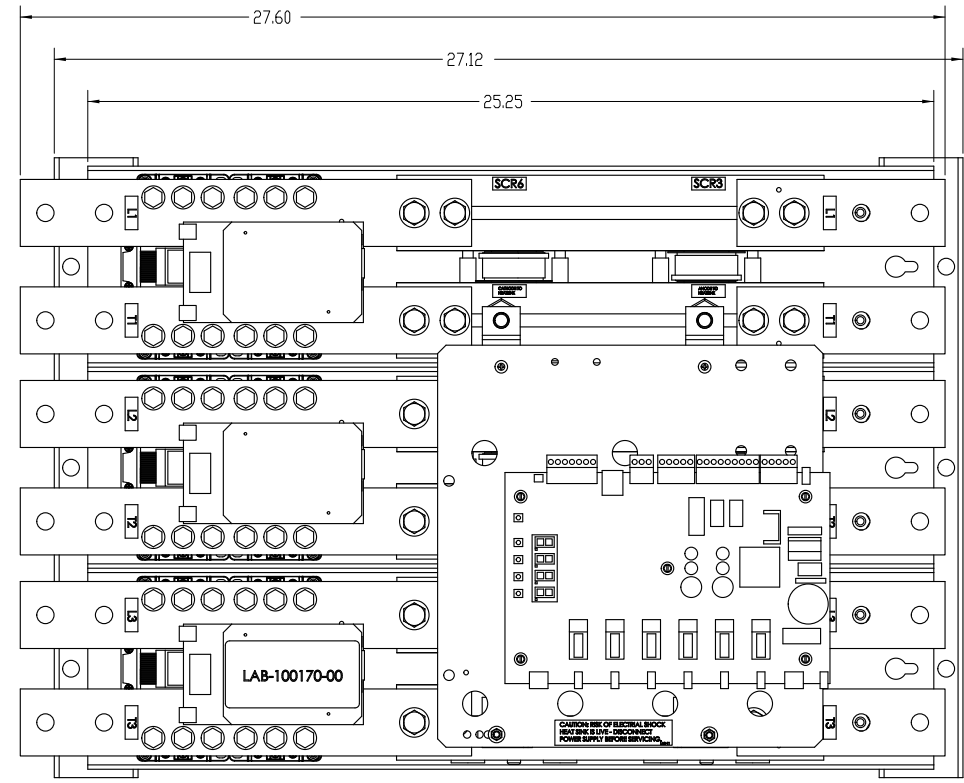
NOTES:  
 1. TIGHTEN ALL M6-1.00 BOLTS TO 6.77 Nm OR (5 FT LBS).  
 2. ITEM 202 WILL BE REMOVED FROM THE CHASSIS WHEN THE STARTER IS MOUNTED DIRECTLY TO A SUBPANEL OF A ENCLOSURE. HARDWARE WILL BE DISCARDED.  
 3. ITEMS 203 THRU 208 ARE NOT SHOWN.

REV: 4 APPD: MCL 10/25/14 CHGD: MCL 10/25/14 DESCRIPTION: REMOVE NEG QTY ITEMS FROM BOM	REV: 1 APPD: JBP 5/3/2012 CHGD: JBP 5/3/2012 DESCRIPTION: UPDATE ASSY TO AGREE WITH DETAIL CHANGES.	THIRD ANGLE PROJECTION	UNLESS OTHERWISE SPECIFIED ALL DIMENSION IN INCHES INTERPRET DRAWING PER ASME Y14.5M-1994	SIGNATURES DRWN. BER CHKD. JAF ENG. JAF MFG.	DATE 4/18/11 4/18/11 4/18/11	TITLE: RB2-1-S-477A-17C CHASSIS STANDARD FAULT 42KA MX2 477A DD/549A ID NORNAL XXXA DD/XXXX ID e115% 600VAC	605 ALPINE DRIVE PETERBORO, PA 15201 PHONE 480-240-0000 500 BROAD ST. E. LITTLETON, COLORADO 80120	SIZE D	DWG NO. CH-440143-00	REV 4
		THIS DRAWING AND ALL INFORMATION CONTAINS HEREIN, IS THE PROPERTY OF BENSHAW INC., AND IS DIVULGED TO UNAUTHORIZED PERSONS WITHOUT THE EXPRESS WRITTEN CONSENT OF BENSHAW INC. CONVENIENCE OF THE USER AND SHALL BE RETURNED UPON REQUEST.								

1 2 3 4 5 6 7 8 9 10 11 12 13 14 15 16 17 18 19 20 21 22 23 24 25 26 27 28

CH-440143-00

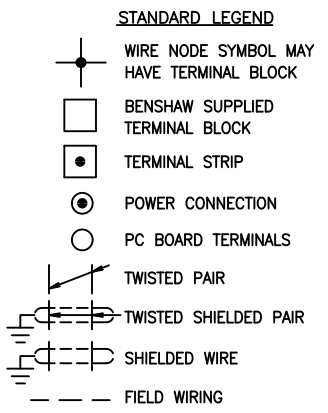
A  
B  
C  
D  
E  
F  
G  
H  
I  
J  
K  
L  
M  
N



DO NOT SCALE DIM	THIRD ANGLE PROJECTION	UNLESS OTHERWISE SPECIFIED ALL DIMENSION IN INCHES INTERPRET DRAWING PER ASME Y14.5M-1994 TOLERANCES: .XX ± .03 .XXX ± .015 ANGLES ± 1° MATERIAL: FINISH:	SIGNATURES	DATE	TITLE: RB2-1-S-477A-17C CHASSIS STANDARD FAULT 42KA MX2 477A DD/549A ID NORNAL XXXA DD/XXXA ID 0115Z 600VAC	605 ALPINE DRIVE PETERSBURG, VA 20129 PHONE 1-800-949-0000 500 BROAD ST. E. LITTLETON, COLORADO 80120		
	THIS DRAWING AND ALL INFORMATION CONTAINS HEREIN, IS THE PROPERTY OF BENSHAW INC., AND DIVULGED TO UNAUTHORIZED PERSONS WITHOUT THE EXPRESS WRITTEN CONSENT OF BENSHAW INC. CONVENIENCE OF THE USER AND SHALL BE RETURNED UPON REQUEST.		DRWN. BER	4/18/11			SIZE	REV
			CHKD. JAF	4/18/11			D	4
			ENG. JAF	4/18/11			CH-440143-00	
		MFG.	SCALE: 3/8:1		SHEET: 2 OF 2			

A  
B  
C  
D  
E  
F  
G  
H  
I  
J  
K  
L  
M  
N

60-661004-HJS



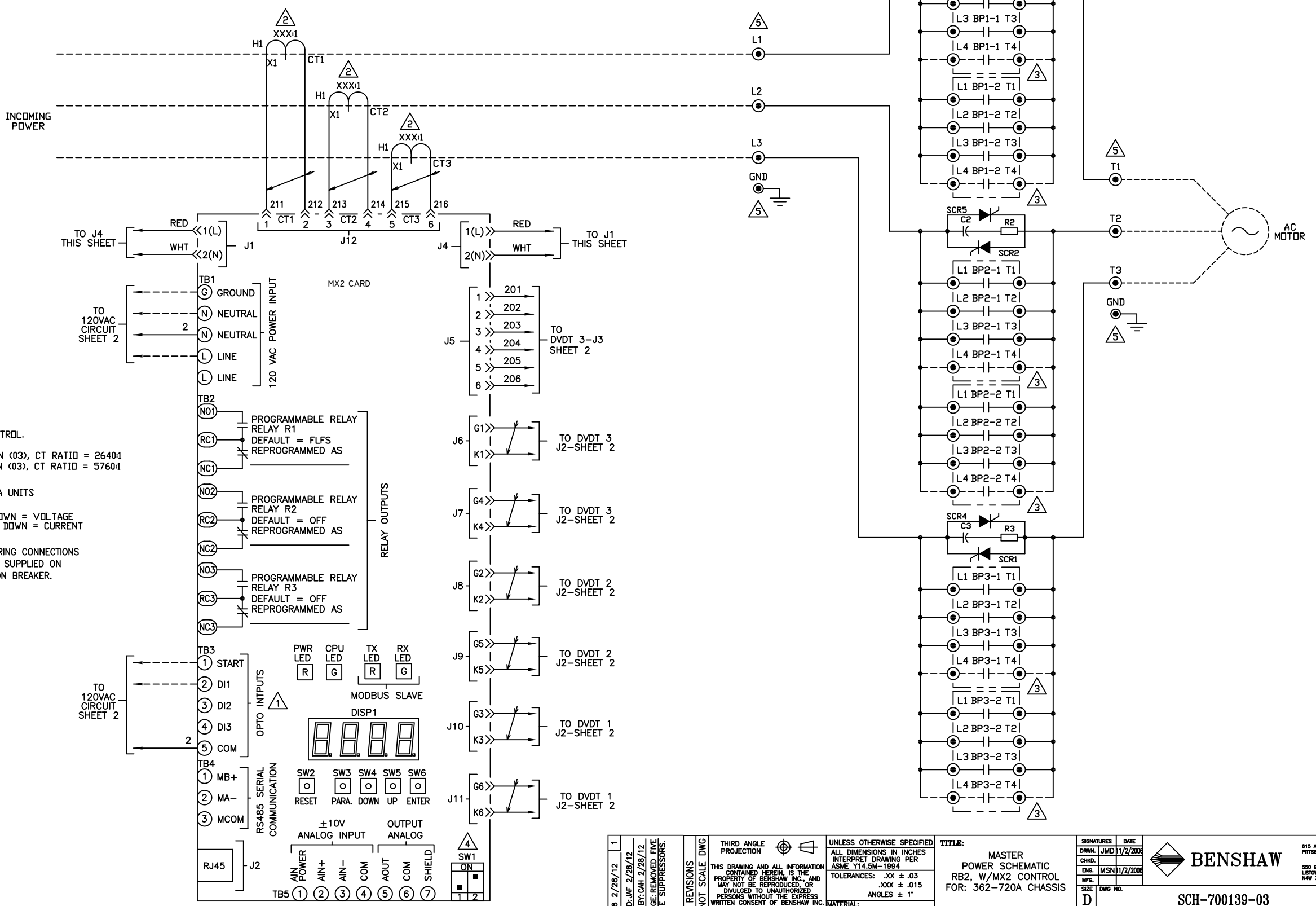
**NOTES:**

- ① SELECT EITHER THREE OR TWO WIRE CONTROL.
- ② FOR 362-414A UNITS, PROGRAM (P78), FUN (03), CT RATIO = 2640:1  
FOR 415-720A UNITS, PROGRAM (P78), FUN (03), CT RATIO = 5760:1
- ③ L4/T4 CONTACTOR POLE IS ONLY ON 720A UNITS
- ④ SW1-1: (ANALOG INPUT) UP = CURRENT, DOWN = VOLTAGE  
SW1-2: (ANALOG OUTPUT) UP = VOLTAGE, DOWN = CURRENT
- ⑤ TIGHTEN POWER AND GROUND LUG FIELD WIRING CONNECTIONS TO CHART 1 SPECIFICATIONS. IF BREAKER IS SUPPLIED ON LINE SIDE OF STACK USE TORQUE VALUES ON BREAKER.

**CHART 1**

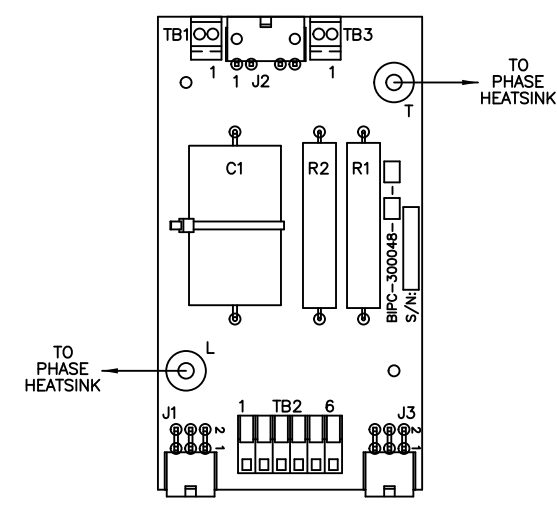
TIGHTENING TORQUE SPECIFICATIONS FOR SOCKET HEAD SCREWS

SOCKET SIZE ACROSS FLATS (INCHES)	TORQUE POUNDS-INCHES
1/4	200
5/16	275
3/8	375
1/2	500

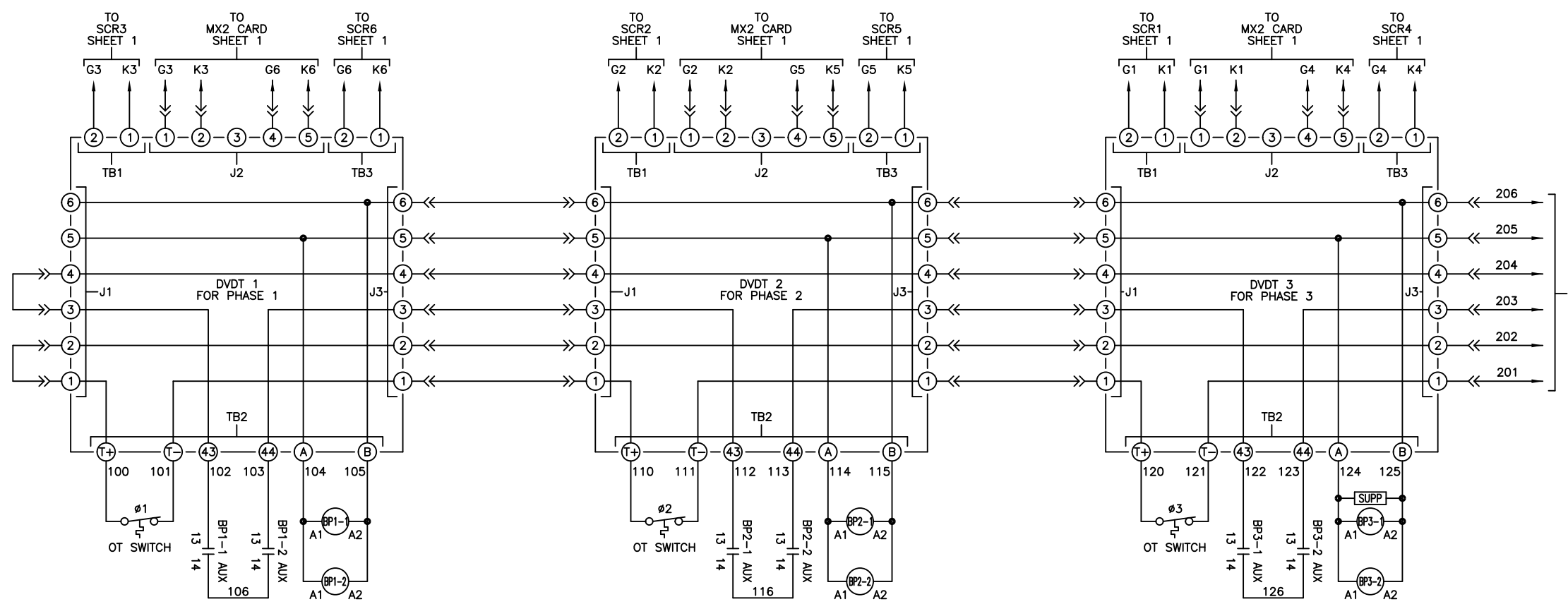
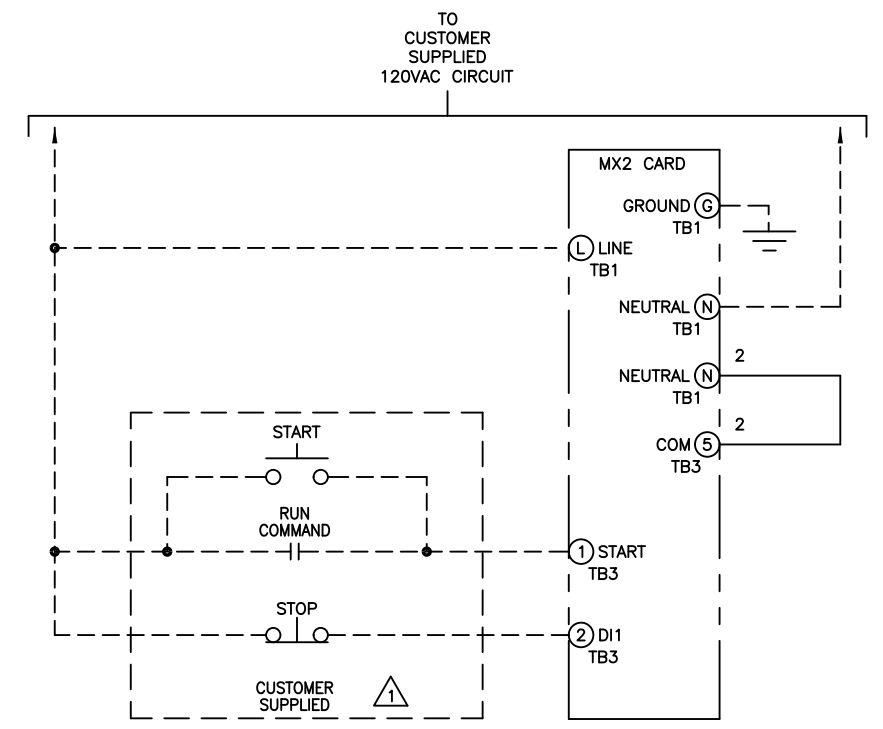


E3488 2/28/12 APPR: JMD 2/28/12 CHG BY: CAH 2/28/12 CHANGE: REMOVED FIVE SURGE SUPPRESSORS.	REVISIONS DO NOT SCALE DWG	THIRD ANGLE PROJECTION	UNLESS OTHERWISE SPECIFIED ALL DIMENSIONS IN INCHES INTERPRET DRAWING PER ASME Y14.5M-1994 TOLERANCES: .XX ± .03 .XXX ± .015 ANGLES ± 1°	TITLE: MASTER POWER SCHEMATIC RB2, W/MX2 CONTROL FOR: 362-720A CHASSIS	SIGNATURES: JMD 1/2/2008 DATE: 1/2/2008 ENG: MSN 1/2/2008 MFG: 1/2/2008 SIZE: D DWG NO.: SCH-700139-03 SCALE: 1:1	815 ALPHA DRIVE PITTSBURGH, PA 15238 550 BRIGHT STREET LISTONEL, ONTARIO M4W 3W3
	THIS DRAWING AND ALL INFORMATION CONTAINED HEREIN IS THE PROPERTY OF BENSRAW INC., AND MAY NOT BE REPRODUCED, OR DIVULGED TO UNAUTHORIZED PERSONS WITHOUT THE EXPRESS WRITTEN CONSENT OF BENSRAW INC. IT IS PROVIDED SOLELY FOR THE CONVENIENCE OF THE USER AND SHALL BE RETURNED UPON REQUEST.				REV 1	
	FINISH:				SHEET 1 OF 2	
	MATERIAL:				1	

60-661004-HJS



- STANDARD LEGEND**
- WIRE NODE SYMBOL MAY HAVE TERMINAL BLOCK
  - BENSCHAW SUPPLIED TERMINAL BLOCK
  - TERMINAL STRIP
  - POWER CONNECTION
  - PC BOARD TERMINALS
  - TWISTED PAIR
  - TWISTED SHIELDED PAIR
  - SHIELDED WIRE
  - FIELD WIRING



REVISIONS DO NOT SCALE DWG	THIRD ANGLE PROJECTION	UNLESS OTHERWISE SPECIFIED ALL DIMENSIONS IN INCHES INTERPRET DRAWING PER ASME Y14.5M-1994 TOLERANCES: .XX ± .03 .XXX ± .015 ANGLES ± 1° MATERIAL: FINISH:	<b>TITLE:</b> MASTER CONTROL SCHEMATIC RB2, W/MX2 CONTROL FOR: 362-720A CHASSIS	SIGNATURES: JMD DATE: 11/2/2008 CHKD: MSN DATE: 11/2/2008 ENGR: MSN DATE: 11/2/2008 MFG: MSN DATE: 11/2/2008 SIZE: D DWG NO.: SCH-700139-03 SCALE: 1:1	815 ALPHA DRIVE PITTSBURGH, PA 15238 550 BRIGHT STREET LISTONEL, ONTARIO M4W 3W3
	THIS DRAWING AND ALL INFORMATION CONTAINED HEREIN IS THE PROPERTY OF BENSCHAW INC., AND MAY NOT BE REPRODUCED, OR DIVULGED TO UNAUTHORIZED PERSONS WITHOUT THE EXPRESS WRITTEN CONSENT OF BENSCHAW INC. IT IS PROVIDED SOLELY FOR THE CONVENIENCE OF THE USER AND SHALL BE RETURNED UPON REQUEST.		REV: 1 SHEET 2 OF 2		