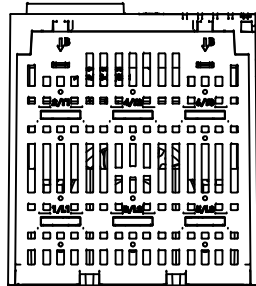
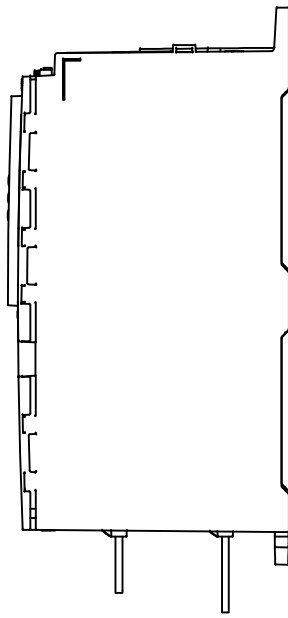
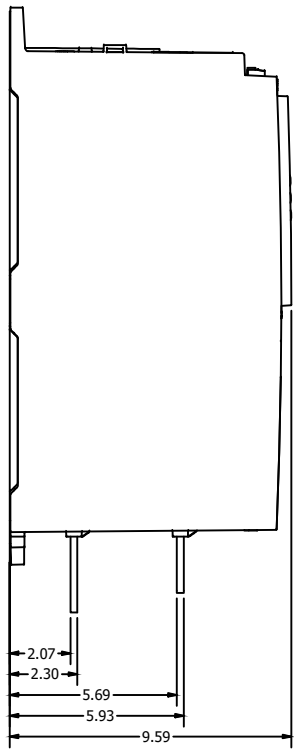
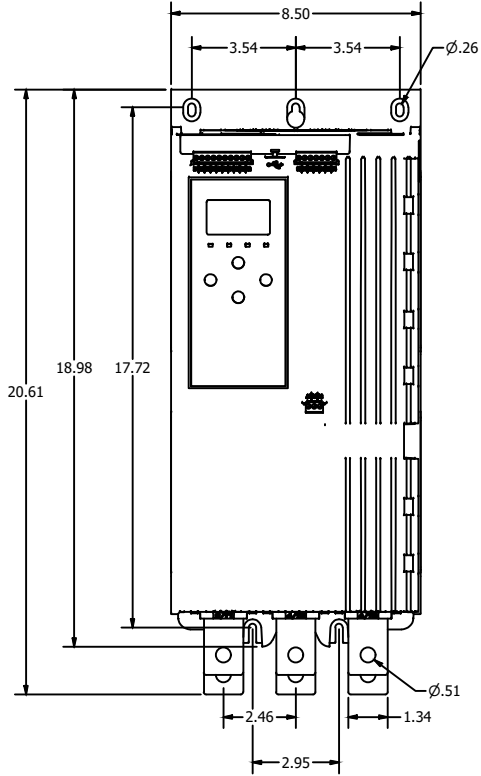
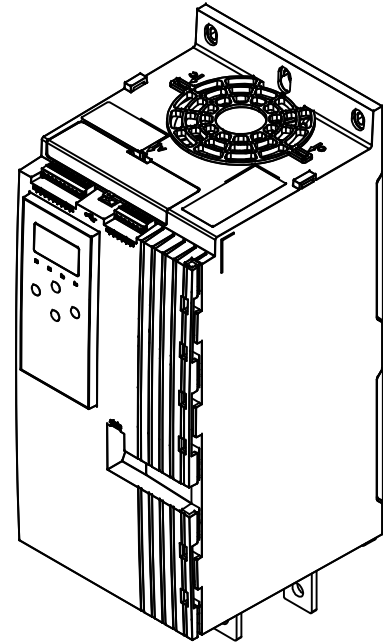
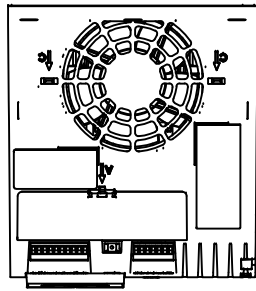


1 2 3 4 5 6 7 8 9 10 11 12 13 14 15 16 17 18 19 20 21 22 23 24 25 26 27 28

DMG NO. **EMX4E/I-0352 THRU 0580B**

A
B
C
D
E
F
G
H
I
J
K
L
M
N



REVISIONS DO NOT SCALE DWG	THIRD ANGLE PROJECTION	UNLESS OTHERWISE SPECIFIED ALL DIMENSIONS IN INCHES INTERPRET DRAWING PER ASME Y14.5M-1994	TITLE: STARTER DIMENSIONS	SIGNATURES: _____ DATE: _____ DRWN.: _____ ENG.: _____ MFG.: _____	815 ALPHA DRIVE PITTSBURGH, PA. 15238 550 BRIGHT STREET LSTOWEL, ONTARIO M4W 3W3	
	THIS DRAWING AND ALL INFORMATION CONTAINED HEREIN IS THE PROPERTY OF BENSHAW INC. AND MAY NOT BE REPRODUCED, OR DIVULGED TO UNAUTHORIZED PERSONS WITHOUT THE EXPRESS WRITTEN CONSENT OF BENSHAW INC. IT IS PROVIDED SOLELY FOR THE CONVENIENCE OF THE USER AND SHALL BE RETURNED UPON REQUEST.	TOLERANCES: .XX ± .03 .XXX ± .015 ANGLES ± 1°	MATERIAL: FINISH:	SIZE: D DWG NO.: EMX4E/I-0352 THRU 0580B SCALE: 1:1		REV: 0 SHEET 1 OF 1